

2024 SPEC BOOK

BASICS™  
— COLLECTION —



MERILLAT CABINETY



MERILLAT CABINETRY

## CUSTOMER SUPPORT RESOURCES

### **MERILLAT.COM**

Our website offers many ways to inspire beautiful cabinetry solutions. Highlights include:

- View inspirational designs and photos
- Visualize door styles by species and finish
- Educate consumers about wood characteristics, installation, and cabinetry care

### **TANDEM DEALER PORTAL**

If you're not registered for Tandem, you could be missing important product and brand information. Visit <https://tandem.cabinetworksgroup.com> to register today so you can:

- Place an order, check order status, and track deliveries
- Download 2020 Design catalogs
- Order samples, displays, and more
- Access literature, training resources, and marketing tools

With Tandem we're putting you at the heart of the Cabinetworks experience. You focus on customers and the life they want to build. We'll organize and optimize everything else — from design to delivery to done.

### **Order Management:**

- Place your orders via Tandem, the fastest and preferred order entry method
- If there are questions with your order, you will be notified to contact Customer Care
- Check the status of your order any time on Tandem

### **CUSTOMER CARE RESOURCES**

Self-serve options are nice, but sometimes you just want to talk to someone. Whatever your preference, we're here to help.

#### **Contacting Customer Care:**

- (855) 896-9798
- [dealercare@cabinetworksgroup.com](mailto:dealercare@cabinetworksgroup.com)
- Hours: M–F, 8 AM to 6 PM ET

#### **Additional Support:**

- Catalogs:  
[2020catalogsupport@cabinetworksgroup.com](mailto:2020catalogsupport@cabinetworksgroup.com)
- Spec Books:  
[specbooksupport@cabinetworksgroup.com](mailto:specbooksupport@cabinetworksgroup.com)

#### **Contact Customer Care for help with:**

- Product questions
- Expediting orders
- Tandem questions

#### **Contact your account manager for help with:**

- Display requests
- Literature replenishment
- Warranty resolution
- Logistics concerns
- Design questions
- Promotional inquiries

### **CANCELLATION POLICY**

Our products are made to order. That means we don't start building your cabinets until your order is placed. Due to our fast shipping schedule, orders are fulfilled as quickly as possible, affecting our ability to accept cancellations. To consistently maintain the quick shipping schedule, our policy is that orders cannot be canceled once placed.

*Merillat*

**BASICS™**  
— COLLECTION —

# 2024 Spec Book



MERILLAT CABINETRY



# Table of Contents

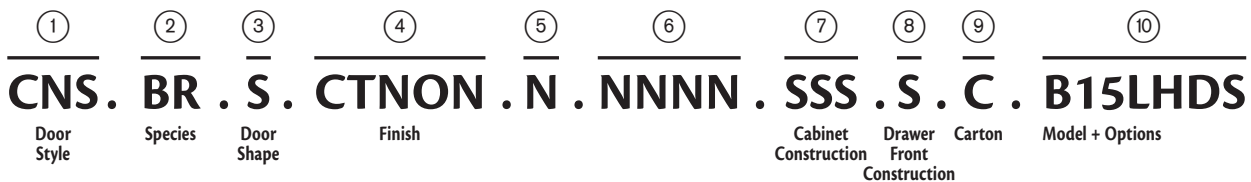
|   |               |                                      |               |
|---|---------------|--------------------------------------|---------------|
| <b>Product Code System</b>                | <b>2-6</b>    | <b>Vanity Cabinets</b>               | <b>G1-G12</b> |
| Code System                               | 2-3           | Vanity Cabinets                      | G1-G4         |
| Understanding Product Codes               | 4             | Vanity Sink Cabinets                 | G5-G8         |
| What's New                                | 5             | Vanity Panels                        | G9            |
| Order Upcharge Guide                      | 6             | Vanity Fillers                       | G10           |
|   |               | Vanity Accessories                   | G11           |
| <b>Index</b>                              | <b>i-ii</b>   | <b>Office Cabinets</b>               | <b>H1-H2</b>  |
| <b>Door Styles</b>                        | <b>A1-A4</b>  | Office Cabinets                      | H1            |
| <b>Finishes</b>                           | <b>B1-B2</b>  | Office Panels                        | H2            |
| <b>Cabinet Specifications and Options</b> | <b>C1-C12</b> | <b>Universal Access Cabinets</b>     | <b>I1-I6</b>  |
| Cabinet Specifications                    | C1-C5         | Universal Cabinets                   | I1-I3         |
| Construction Options                      | C6-C11        | Universal Access Sink Base Cabinets  | I4            |
|   |               | Universal Cabinet Accessories        | I5            |
| <b>Wall Cabinets</b>                      | <b>D1-D12</b> | <b>Panels-Shelving-Trays</b>         | <b>J1-J6</b>  |
| Wall Cabinets                             | D1-D2         | Panels                               | J1-J2         |
| Wall Corner Cabinets                      | D3-D5         | Shelving                             | J3-J4         |
| Wall Open Cabinets                        | D6-D7         | Trays                                | J5-J6         |
| Wall Appliance Cabinets                   | D8            | <b>Decorative Enhancements</b>       | <b>K1-K12</b> |
| Wall Panels                               | D9            | Supports & Valances                  | K1            |
| Wall Fillers                              | D10           | Moldings                             | K2-K7         |
| Wall Accessories                          | D11           | Hardware                             | K8-K11        |
| <b>Base Cabinets</b>                      | <b>E1-E16</b> | <b>Replacement Parts</b>             | <b>L1-L18</b> |
| Base Cabinets                             | E1-E4         | Replacement Hardware                 | L1-L6         |
| Base Sink and Appliance Cabinets          | E5-E7         | Accessory Hinged Prep for Glass Door | L7            |
| Base Corner Cabinets                      | E8-E10        | Touch Up Materials                   | L8-L10        |
| Base Panel                                | E11           | Sales Doors                          | L11           |
| Base Fillers                              | E12           | Understanding Replacement Parts      | L12-L13       |
| Base Accessories                          | E13-E15       | Doors and Drawer Fronts - Sizes      | L14-L18       |
| <b>Tall Cabinets</b>                      | <b>F1-F8</b>  | <b>Nomenclature Index</b>            | <b>M1-M4</b>  |
| Tall Cabinets                             | F1-F2         |                                      |               |
| Tall Appliance Cabinets                   | F3-F4         |                                      |               |
| Tall Panels                               | F5            |                                      |               |
| Tall Fillers                              | F6            |                                      |               |
| Tall Accessories                          | F7-F8         |                                      |               |

# Code System

## Ordering Code

Order codes are built from global options, model, and model options which together define an orderable item. The order code is created from the door, finish, construction, cartoning, model and model options to complete the order code. The order code can incorporate all possible combinations available in this product line. Each order code must be complete to be recognized as a unique product. By understanding the code system you can identify any product with any variation or option in one place.

Following is a breakdown of each order code segment and how it combines to make a full order code. Each segment is identified with an identification number. That number will be repeated on this page and every page where the specification of product relates to a segment position of the order code.



| ① Door Style       | Code |
|--------------------|------|
| Collins            | CNS  |
| Colony             | CLY  |
| McDurmon - Full    | MCF  |
| McDurmon - Partial | MCU  |
| Wesley             | WLY  |

| ② Species | Code |
|-----------|------|
| Birch     | BR   |
| Laminate  | LM   |

| ③ Door Shape | Code |
|--------------|------|
| Square       | S    |

| ④ Stain Finishes | Code  |
|------------------|-------|
| Boardwalk        | BWNON |
| Pecan            | PCNON |
| Steel Grey       | SGNON |
| Twilight         | TWNON |

| ④ Painted Finish | Code  |
|------------------|-------|
| Cotton           | CTNON |
| Shale            | SENON |

| ④ Laminate | Code  |
|------------|-------|
| Grey       | GRNON |
| White      | WHNON |

| ⑤ This attribute is being held for future use to indicate special finishing options | Code |
|---|------|
|   | N    |

| ⑥ This attribute is being held for future use to indicate special construction material options | Code |
|---|------|
|   | NNNN |

| ⑦ Cabinet Construction   | Code            |                  |    |                           |                 |                  |   |      |   |  |
|--|-----------------|------------------|----|---------------------------|-----------------|------------------|---|------|---|--|
| <table border="0"> <tr> <td>⑦a</td> <td>⑦b</td> <td>⑦c</td> </tr> <tr> <td>Cabinet Construction Code</td> <td>Drawer Box Code</td> <td>Thick Shelf Code</td> </tr> <tr> <td>S</td> <td>S, D</td> <td>S</td> </tr> </table> | ⑦a              | ⑦b               | ⑦c | Cabinet Construction Code | Drawer Box Code | Thick Shelf Code | S | S, D | S |  |
| ⑦a   | ⑦b              | ⑦c               |    |                           |                 |                  |   |      |   |  |
| Cabinet Construction Code  | Drawer Box Code | Thick Shelf Code |    |                           |                 |                  |   |      |   |  |
| S  | S, D            | S                |    |                           |                 |                  |   |      |   |  |

| Options  | Code |
|--|------|
| Standard Construction, Standard Drawers, Standard Shelves    | SSS  |
| Standard Construction, Dovetail Drawers, Standard Shelves    | SDS  |
| All Plywood Construction, Dovetail Drawers, Standard Shelves | ADU  |

| ⑧ Drawer Front Construction | Code |
|-----------------------------|------|
| Solid Drawer Front          | S    |

| ⑨ Cartoning | Code |
|-------------|------|
| Cartoned    | C    |

## 10 Model + Options

Code must appear in the order listed below. Not all code slots need to appear in the model + option code, just the options that apply.

| 10a<br>Model | 10b<br>Depth      Code | 10c<br>Hinging      Code | 10d<br>Tray/Shelf      Code         | 10e<br>Glass Door      Code        | 10g<br>Partial Cabinet      Code  |
|--------------|------------------------|--------------------------|-------------------------------------|------------------------------------|-----------------------------------|
| W1842        | 9" deep      09        | Left      L              | Half Depth Shelf      HDS           | Prepared for<br>Glass Door      PG | Cabinet<br>Front<br>Only      CFO |
| B21          | 12" deep      12       | Right      R             | Full Depth Shelf      FDS           |                                    |                                   |
| B27B         | 15" deep      15       |                          | 1 Standard Tray      1ST            |                                    | Case<br>Only<br>Option      CSO   |
| U159624      | 18" deep      18       |                          | 2 Standard Trays      2ST           |                                    |                                   |
| VCD3035DL    | 21" deep      21       |                          | 1 Standard Full Width Tray      1FT |                                    | Frame<br>Only<br>Option      FRM  |
|              | 24" deep      24       |                          |                                     |                                    |                                   |

### Model + Option Code Examples

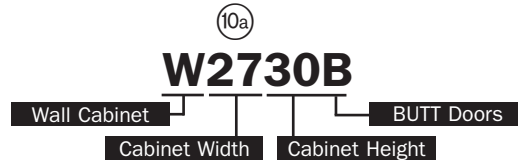
|   | Code      |
|---|-----------|
| Wall Single Door Cabinet 18" Wide x 42" High x 12" Deep Hinged Right    | W1842R    |
| Wall Single Door Cabinet 18" Wide x 42" High x 15" Deep                 | W184215   |
| Base Single Door Cabinet 21" Wide Hinged Right with 1 Standard Tray     | B21R1ST   |
| Base BUTT Door Cabinet 27" Wide with Half Depth Shelf                   | B27BHDS   |
| Base BUTT Door Cabinet 27" Wide with 1 Standard Full Width Tray         | B27B1FT   |
| Utility Cabinet Single Door 15" Wide x 96" High x 24" Deep Hinged Right | U159624R  |
| Vanity Combination Drawer 30" Wide x 34 1/2" High Drawers Left          | VCD3035DL |

# Understanding Product Codes

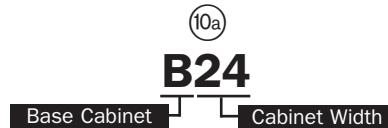
## Standard Cabinets

Wall Cabinet widths are always listed first followed by height. A standard wall cabinet is 12" deep except for Wall Refrigerator Cabinets which have a standard depth of 24". Thus 27 is the width, 30 is the height and depth is 12". Depth is only listed as the last two numbers when depth is other than standard. Cabinets with a "B" suffix have BUTT Doors without a center stile.

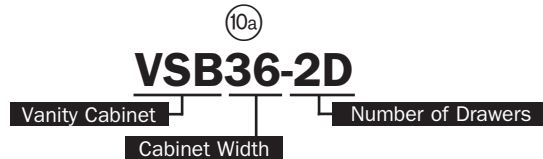
Tall cabinets follow the same sequence characteristics as Wall Cabinets; width first followed by height (eg: U1884). In those instances where the cabinet depth is greater than 12", the sequence is width and height, followed by depth (eg: U188424).



Base Cabinets are simpler than Wall Cabinets because the height (34 1/2" plus 1 1/2" for the countertop) and the depth (24") are always the same unless otherwise noted. The only numbers you need to know are the width. Cabinets with the "B" suffix have BUTT doors without a center stile.

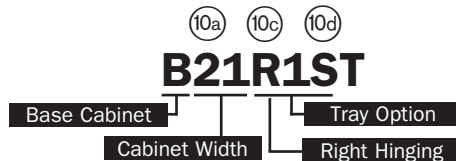


Vanity Cabinets are similar to Base Cabinets; the numbers are used to represent the width. Vanity Sink Base Cabinets are either 31 1/2" or 34 1/2" high plus 1 1/2" for the countertop. This particular cabinet is 31 1/2" high and comes standard with two drawers and is located at the end of the code.

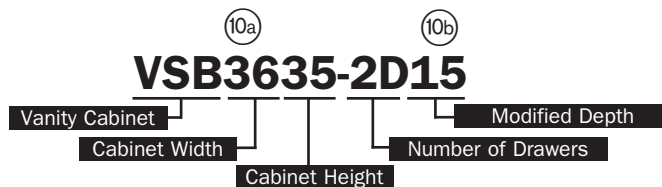


## Cabinets with Options

Trays are an available option for select Base Cabinets. With Trays as options, we are able to communicate with greater detail the different trays to choose from and the availability of the option with ease. The option of 1 Standard Tray has been chosen for this cabinet.



Modified Depth options are available in increments of 3". With six options of Modified Depth to choose from, you are able to interact with our products on a truly semi-custom level. The option of reduce to 15" deep has been chosen for this cabinet. This cabinet is 36" wide, 34 1/2" high with 2 drawers and a modified depth of 15".



# What's New for 2024

New

Watch for this icon highlighting new items

Watch for grey codes and this note highlighting new models or codes

## B24D

*Grey color coding indicates new product, size or code*

| New Product                                |      |
|--|------|
| Door Styles                                | Page |
| McDurmon Laminate - Full Overlay           | A2   |
| Wall Cabinets                              |      |
| Wall Microwave Cabinet                     | D8   |
| Wall End Panel size expansion              | D9   |
| Base Cabinets                              |      |
| Toe Kick Cover - Veneer                    | E15  |
| Tall Cabinets                              |      |
| Toe Kick Cover - Veneer                    | F8   |
| Vanity Cabinets                            |      |
| Vanity End Panel                           | G9   |
| Toe Kick Cover - Veneer                    | G11  |
| Universal Access Cabinets                  |      |
| Universal Base Toe Kick Cover - Veneer     | I5   |
| Panels – Shelving – Trays                  |      |
| 3/4" thick Utility Shelf Kits              | J3   |
| Roll-Out Trays - Solid Wood size expansion | J6   |
| Decorative Enhancements                    |      |
| Meridian Collection - Matte Black Knob     | K10  |

| What's Discontinued                     |  |
|---|--|
| Door Styles                             |  |
| Homestead                               |  |
| Construction Options                    |  |
| Face Wrap Packaging Option              |  |
| Panels – Shelving – Trays               |  |
| Butt door cabinet shelves               |  |
| 1/2" Shelf Kits                         |  |
| Replacement Parts                       |  |
| Hinges without SoftAction functionality |  |

## Order Upcharge Guide

| Finishes          | %   | Construction Options  | Code              | % or \$                 |
|-------------------|-----|---|-------------------|-------------------------|
| Laminate Finishes | N/C | Standard Construction   | SSS               | N/C                     |
| Stain Finishes    | N/C | Standard Construction with Dovetail Drawers<br>(Extra charge per Dovetail Drawer) | SDS               | \$60/<br>drawer         |
| Painted Finishes  | 12% | All Plywood Construction w/Dovetail Drawers<br>(Extra charge per Dovetail Drawer) | ADU               | 20%,<br>\$60/<br>drawer |
|                   |     | Depth Modification  | 9                 | 25%                     |
|                   |     | Depth Modification  | 12                | 25%                     |
|                   |     | Depth Modification*   | 15                | 25%                     |
|                   |     | Depth Modification*   | 18                | 25%                     |
|                   |     | Depth Modification*   | 21                | 25%                     |
|                   |     | Depth Modification*   | 24                | 25%                     |
|                   |     | *Depth Modification - Increased Depth - Bookcases                                 | 15, 18,<br>21, 24 | 50%                     |
|                   |     | Half Depth Shelf  | HDS               | N/C                     |
|                   |     | Full Depth Shelf  | FDS               | \$25                    |
|                   |     | Standard Full-Width Trays   | 1FT               | \$75                    |
|                   |     | Standard Trays  | 1ST               | \$50                    |
|                   |     | Standard Trays  | 2ST               | \$100                   |
|                   |     | Cabinet Front Only  | CFO               | -20%                    |
|                   |     | Case Only   | CSO               | -20%                    |
|                   |     | Frame Only  | FRM               | -36%                    |

| ITEM   | PAGE | ITEM   | PAGE       | ITEM  | PAGE |
|--|------|--|------------|---|------|
| <b>#</b>   |      | Construction Options Diagram                                   | C8         | Metropolitan Collection   | K10  |
| 170 Degree Hinge   | L4   | Corner Filler Toe Kick   | E15,F6,G11 | Molding Build-Up Strip  | K5   |
| 3/4 Extension Side Mount Roller Guide Kit                | L1   | Corner Molding   | K3         | Montreal Collection   | K10  |
| 3/4 Extension Side Mount Roller Guide Peninsula Base Kit | L1   | Countertop Molding   | K3         | <b>N</b>  |      |
| 3/4 Extension Side Mount Roller Guides                   | L1   | Countertop Support Bracket                                     | K1         | Narrow Batten Molding   | K5   |
| 31 1/2" Vanity Frame Dimensions                          | C5   | Cove Large Molding   | K3         | <b>O</b>  |      |
| 34 1/2" Vanity Frame Dimensions                          | C5   | Cove Light Rail Molding  | K3         | Oasis Collection  | K10  |
| <b>A</b>   |      | Crown Molding  | K4         | Ogden Collection  | K10  |
| Accessory Hinged Prep for Glass Door Information         | L7   | Crown Soffit Molding   | K4         | Oven Cabinet Support Platform   | F7   |
| Alton Collection   | K8   | Cutlery Drawer Insert  | E14        | Oven Cabinet Universal  | F3   |
| Amelia Collection  | K8   | Cypress Collection   | K8         | Oven Cabinet Universal Frame Dimensions   | C4   |
| Angle Crown Molding                                      | K2   | <b>D</b>   |            | Oven Drawer Kit   | F4   |
| Angle Crown Molding Face Mount                           | K2   | Deep Sink Base   | E5         | <b>P</b>  |      |
| Angled Outside Corner Molding - 135 Degree               | K2   | Depth Modification   | C9         | Panel Backer 3' Tall-Paper  | J1   |
| <b>B</b>   |      | Desk End Panel Contoured                                       | H2         | Panel Backer 3' Tall-Veneer   | J2   |
| Back Plugs   | L6   | Desk Knee Drawer Deep Trimmable                                | H1         | Panel Backer-Paper  | J1   |
| Base Blind Corner  | E9   | Desk Knee Drawer Trimmable                                     | H1         | Panel Backer-Veneer   | J1   |
| Base Blind Corner Cabinet Information                    | E8   | Dodson Collection  | K9         | Partial Overlay - Concealed Hinges  | C1   |
| Base Cabinet Information                                 | E1   | Double Oven Cabinet Kit  | F7         | Partial Overlay 6 Way Hinge   | L5   |
| Base Corner Fixed Shelf                                  | E10  | Driscoll Collection  | K9         | Peninsula Base Double Door  | E3   |
| Base Corner Revolving Builder                            | E9   | <b>E</b>   |            | Peninsula Base Single Door  | E3   |
| Base Double Door   | E2   | Elle Collection  | K9         | Porter Collection   | K10  |
| Base Double Door Full-Height                             | E2   | <b>F</b>   |            | Putty   | L10  |
| Base End Panel   | E11  | Face Mount Hinge   | L4         | <b>Q</b>  |      |
| Base End Panel Filler                                    | E12  | Fill Stick   | L8         | Quarter Round Molding   | K5   |
| Base Floating Plumbing Skirt                             | E6   | Flex Collection  | K9         | Quinn Collection  | K10  |
| Base Four Drawer   | E3   | Frame Only Option  | C11-12     | <b>R</b>  |      |
| Base Shelving-Full Depth                                 | J3   | Full Depth Shelf   | C9         | Rear Mounting Bracket - 3/4 Extension Side Mount Roller Guides                      | L3   |
| Base Single Door   | E1   | Full Extension Side Mount Ball Bearing Guide Kit               | L1         | Rear Mounting Bracket - 3/4 Extension Side Mount Roller Guides Peninsula Base       | L3   |
| Base Single Door Full-Height                             | E1   | Full Extension Side Mount Ball Bearing Guides                  | L2         | Rear Mounting Bracket - Full Extension Side Mount Ball Bearing Guides               | L3   |
| Base Sink and Appliance Cabinet Information              | E5   | Full Extension Under Mount Soft-Close Guide Kit                | L2         | Rear Mounting Bracket - Full Extension Under Mount Soft-Close Guides                | L3   |
| Base Swing-Out Shelves                                   | E13  | Full Extension Under Mount Soft-Close Guides                   | L2         | Rear Mounting Bracket - Full Extension Under Mount Soft-Close Guides DKD            | L3   |
| Base Three Drawer  | E2   | Full Extension Under Mount Soft-Close Peninsula Base Guide Kit | L2         | Rear Mounting Bracket - Full Extension Under Mount Soft-Close Guides Peninsula Base | L4   |
| Base Tray Kit - Standard                                 | J5   | Full Overlay - Concealed Hinges                                | C1         | Rear Mounting Bracket Set   | L2   |
| Base Trimmable Microwave Cabinet                         | E7   | Full Overlay 6 Way Hinge                                       | L4         | Refrigerator End Panel  | F5   |
| Base Wastebasket   | E4   | Full Overlay 6 Way Hinge                                       | L4         | Refrigerator End Panel w/Attached Filler  | F5   |
| Base Wastebasket Floor Mount Kit Single                  | E13  | Furniture Shelf Kit  | J3         | Replacement Shelving  | J4   |
| Base Wastebasket Kit                                     | E13  | <b>H</b>   |            | Roll-Out Trays - Solid Wood   | J6   |
| Bi-Fold Hinge  | L4   | Half Depth Shelf   | C9         | <b>S</b>  |      |
| Bookcase Cabinets  | D6   | Halifax Collection   | K9         | Sales Door  | L11  |
| Boston Collection  | K8   | Heat Shield  | E15        | Scribe Molding  | K6   |
| Brexler Collection                                       | K8   | <b>I</b>   |            | Shelf Clip with Stop  | L5   |
| <b>C</b>   |      | Inset Light Rail   | K4         | Shelf Clips   | L5   |
| Cabinet Care Kit   | L8   | Installation Screws  | L6         | Shelf Support Back Pack   | L5   |
| Cabinet Cleaning and Polishing Cloths                    | L8   | <b>K</b>   |            | Shelf Support Center  | L5   |
| Cabinet Construction                                     | C6   | Keene Collection   | K9         | Shelf Support Pack  | L6   |
| Cabinet Dusting Cloths                                   | L8   | Keystone Collection  | K10        | Shoe Molding  | K6   |
| Cabinet Front Only                                       | C10  | <b>L</b>   |            | Sink Base Angle   | E6   |
| Cabinet Repair Kit                                       | L8   | Large Sterling Crown Molding                                   | K4         | Sink Base Double Door   | E5   |
| Cabinet Specs  | C2   | Lazy Susan Shelf Kit   | D11-12     | Sink Base Single Door   | E5   |
| Canyon Collection  | K8   | Locking Device - Full Extension Under Mount Soft-Close Guides  | L2         | Sink Front Angle  | E6   |
| Case Only Option   | C11  | <b>M</b>   |            |   |      |
| Classic Crown Molding                                    | K2   | Mallard Collection   | K10        |   |      |
| Construction Options Chart                               | C7   | Meridian Collection  | K10        |   |      |

| ITEM  | PAGE             | ITEM   | PAGE | ITEM | PAGE |
|---|------------------|--|------|------|------|
| Sink Front Bottom                           | E14              | Vanity Combination Drawer Eight Drawer Single Door | G3   |      |      |
| Sink Front Diagonal Bottom                  | E14              | Vanity Combination Drawer Six Drawer Single Door   | G3   |      |      |
| Sink Front End Panel                        | E11              | Vanity Combination Drawer Three Drawer             | G3   |      |      |
| Sloan Collection                            | K11              | Vanity Combination Drawer Two Drawer               | G2   |      |      |
| Soffit Crown Molding                        | K6               | Vanity Drawer Four Drawer                          | G4   |      |      |
| Soft-close Angle Restrictor Clip            | L5               | Vanity Drawer Three Drawer                         | G3   |      |      |
| Soft-Close Door Hardware                    | L6               | Vanity End Panel                                   | G9   |      |      |
| Solid Wood Stock                            | K6               | Vanity Floating Plumbing Skirt                     | G8   |      |      |
| Standard Full-Width Trays                   | C10              | Vanity Front Sample                                | L11  |      |      |
| Standard Trays                              | C10              | Vanity Sink Base Double Bowl                       | G6   |      |      |
| Stockton Collection                         | K11              | Vanity Sink Base Double Door                       | G5-6 |      |      |
| Suitcase Collection                         | K11-12           | Vanity Sink Base Single Door                       | G5   |      |      |
| <b>T</b>                                    |                  | Vanity Sink Base Two Drawer Double Door            | G6   |      |      |
| Tall Appliance Cabinet Information          | F3               | Vanity Sink Base Two Drawer Four Door              | G7   |      |      |
| Tall Cabinet Information                    | F1               | Vanity Sink Base Two Drawer Three Door             | G7   |      |      |
| Tall End Panel                              | F5               | Vanity Sink Cabinet Information                    | G5   |      |      |
| Tall Filler                                 | F6,G10           | Vanity Tray Kit                                    | J5   |      |      |
| Tall Frame Dimensions                       | C3               | Vanity Wall Recessed                               | G4   |      |      |
| Tall Utility Cabinet 12" Deep               | F1               | Vent Clip Pack                                     | L6   |      |      |
| Tall Utility Cabinet 24" Deep               | F2               | <b>W</b>   |      |      |      |
| Toe Kick Cover - Laminate                   | E15,F7,G11       | Wall and Base Frame Dimensions                     | C3   |      |      |
| Toe Kick Cover - Veneer                     | E15-16,F8,G11-12 | Wall Angle Single Door                             | D5   |      |      |
| Touch Up Kit                                | L9               | Wall Blind Corner Cabinet Information              | D3   |      |      |
| Touch Up Pen                                | L9               | Wall Blind Corner Double Door                      | D4   |      |      |
| Touch Up Quart                              | L10              | Wall Blind Corner Single Door                      | D4   |      |      |
| Touch Up Spray Can Primer                   | L9               | Wall Cabinet Information                           | D1   |      |      |
| Touch Up Spray Can Topcoat                  | L9               | Wall Corner Closure                                | D11  |      |      |
| Traditional Furniture Base                  | K7               | Wall Double Door                                   | D2   |      |      |
| Traditional Light Rail                      | K7               | Wall End Panel                                     | D9   |      |      |
| <b>U</b>                                    |                  | Wall Filler  | D10  |      |      |
| Universal Access Panel                      | J2               | Wall Filler Corner                                 | D10  |      |      |
| Universal Base Corner Revolving             | I2               | Wall Lattice                                       | D6   |      |      |
| Universal Base Double Door                  | I2               | Wall Microwave Cabinet                             | D8   |      |      |
| Universal Base Lazy Susan                   | I3               | Wall Microwave Shelf                               | D8   |      |      |
| Universal Base Single Door                  | I1               | Wall Open Cabinets Information                     | D6   |      |      |
| Universal Base Single Door - Full-Height    | I1               | Wall Refrigerator                                  | D2   |      |      |
| Universal Base Three Drawer                 | I2               | Wall Single Door                                   | D1   |      |      |
| Universal Base Toe Kick Cover - Laminate    | I5               | Wine Storage Cabinet                               | D7   |      |      |
| Universal Base Toe Kick Cover - Veneer      | I5-6             |  |      |      |      |
| Universal Cabinet Information               | I1               |  |      |      |      |
| Universal Frame Dimensions                  | C5               |  |      |      |      |
| Universal Removable Sink Front Double Doors | I4               |  |      |      |      |
| Universal Sink Base Double Door             | I4               |  |      |      |      |
| Universal Sink Cabinet Information          | I4               |  |      |      |      |
| Utility Shelf Kits                          | J3               |  |      |      |      |
| Utility Tray Kit                            | E14              |  |      |      |      |
| <b>V</b>                                    |                  |  |      |      |      |
| Valance Contemporary                        | K1               |  |      |      |      |
| Vanity Base Double Door Full-Height         | G1               |  |      |      |      |
| Vanity Base Four Door Full-Height           | G2               |  |      |      |      |
| Vanity Base Single Door                     | G1               |  |      |      |      |
| Vanity Base Single Door Full-Height         | G1               |  |      |      |      |
| Vanity Base Three Door Full-Height          | G2               |  |      |      |      |
| Vanity Cabinet Information                  | G1               |  |      |      |      |

# Door Styles

## Wood Species and Characteristics

**Birch** is a medium-density hardwood with a distinct, moderate grain pattern that ranges from straight to wavy or curly. The predominant sapwood color is white to creamy yellow, while the heartwood varies in color from medium or dark brown to reddish brown, which may result in color variation within the same door.

**Laminate** is a thermo-plastic polymer wrap that is applied to engineered wood or Medium-Density Fiberboard (MDF). This cabinetry gives you a uniform appearance.

### Door Styles by Price Group

| Grp | Door Styles                 | Code     |
|-----|-----------------------------|----------|
| 1   | Colony Birch                | CLY.BR.S |
| 2   | Collins Birch               | CNS.BR.S |
| 2   | McDurmon Laminate - Partial | MCU.LM.S |
| 3   | McDurmon Laminate - Full    | MCFLM.S  |
| 3   | Wesley Birch                | WLY.BR.S |

### Door Styles Alphabetically

| Grp | Door Styles                 | Code     |
|-----|-----------------------------|----------|
| 2   | Collins Birch               | CNS.BR.S |
| 1   | Colony Birch                | CLY.BR.S |
| 3   | McDurmon Laminate - Full    | MCFLM.S  |
| 2   | McDurmon Laminate - Partial | MCU.LM.S |
| 3   | Wesley Birch                | WLY.BR.S |

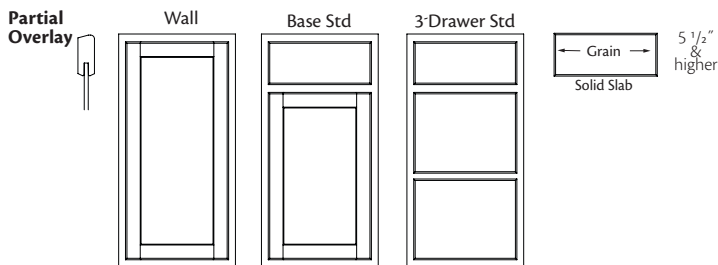
## Collins

Partial Overlay

**CNS.BR.S.S**

Birch

Price Group 2



- 2" stiles and rails, 3/4" thick solid hardwood
- 5/32" recessed center panel is veneer applied to an engineered wood core
- Painted product in Birch door styles may be constructed from hardwoods or engineered wood substrates
- Slab drawer front is solid wood; painted drawer front may be solid wood or engineered substrate
- Mortise and tenon construction
- Door and drawer front have horizontal reverse bevels
- Hardware is optional

## Collins Finishes

- ❖ Available as Standard
- Upcharge

| Finish     | Code  | Availability |
|------------|-------|--------------|
| Boardwalk  | BWNON | ❖            |
| Cotton     | CTNON | ●            |
| Pecan      | PCNON | ❖            |
| Shale      | SENON | ●            |
| Steel Grey | SGNON | ❖            |
| Twilight   | TWNON | ❖            |

# Colony

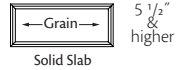
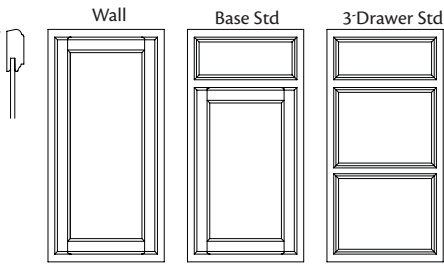
Partial Overlay

**CLY.BR.S.S**

Birch

Price Group 1

Partial  
Overlay



- 2" stiles and rails, 3/4" thick solid hardwood
- 5/32" recessed center panel is veneer applied to an engineered wood core
- Painted product in Birch door styles may be constructed from hardwoods or engineered wood substrates
- Slab drawer front is solid wood
- Mortise and tenon construction
- Door and drawer front have horizontal reverse bevels
- Hardware is optional

## Colony Finishes

- ❖ Available as Standard
- Upcharge

Cotton CTNON  
Pecan PCNON  
Twilight TWNON



# McDurmon

Partial Overlay

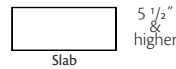
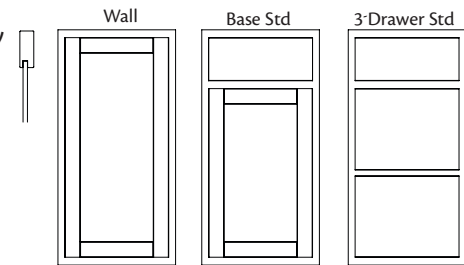
**MCU.LM.S.S**

Laminate

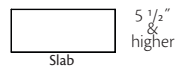
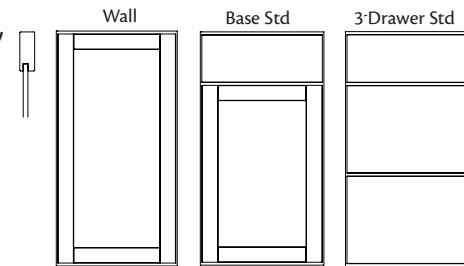
Price Group 2

*Grey color coding indicates new product, size or code.*

Partial  
Overlay



Full  
Overlay



- 2" wide stiles and rails, 3/4" thick
- 1/4" recessed center panel has laminate applied to a Medium Density Fiberboard (MDF) core
- Door rails and stiles are individually wrapped with laminate and assembled using two wood dowels per joint
- Ends of door stiles are edge banded
- Tall doors are a single recessed panel
- Slab drawer front is Medium Density Fiberboard (MDF) core with laminate wrap and edge banded alongside vertical edges
- Hardware is required for full overlay

Full Overlay

**MCF.LM.S.S**

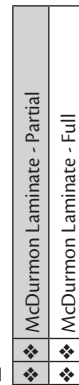
Laminate

Price Group 3

## McDurmon Finishes

- ❖ Available as Standard

Grey GRNON  
White WHNON



# Wesley

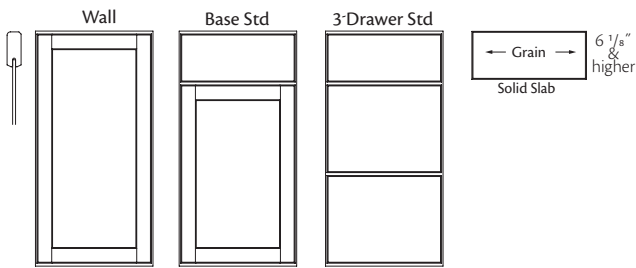
Full Overlay

WLY.BR.S.S

Birch

Price Group 3

Full Overlay



- 2" stiles and rails, 3/4" thick solid hardwood
- 5/32" recessed center panel is veneer applied to an engineered wood core
- Painted product in Birch door styles may be constructed from hardwoods or engineered wood substrates
- Slab drawer front is solid wood; painted drawer front may be solid wood or engineered substrate
- Mortise and tenon construction
- Hardware is required

## Wesley Finishes

- ◆ Available as Standard
- Upcharge

|            |       |              |
|------------|-------|--------------|
|            |       | Wesley Birch |
| Boardwalk  | BWNON | ◆            |
| Cotton     | CTNON | ●            |
| Steel Grey | SGNON | ◆            |
| Twilight   | TWNON | ◆            |

**Notes**

# Finishes

## Finishes

Finishes protect and enhance the natural beauty of wood. Extra care is taken to assure a uniform finish. Because we are dedicated to customer satisfaction, we feel that it is important to explain some of the characteristics of finishes on hardwood.

### Finish Terminology

#### End Grain

End grain surfaces and softer areas of the wood may accept more stain and often appear darker than other surfaces. This is a natural reaction when finishing wood products and potential variances cannot be controlled.

#### Joint Lines

Since wood is in a constant state of expansion and contraction, visible lines are normal at the joints on the cabinet face frames and doors. This does **not** weaken the finish or the strength of the joint.

### Warping, Cracking & Proper Humidity

As a natural characteristic, all wood products contain moisture. Changes in temperature and humidity affect the moisture content in wood, which causes wood to expand or contract. Over time, this expansion or contraction can cause warping and joint cracks to occur, potentially causing permanent deformations in wood cabinetry.

To help prevent excessive movement in your wood cabinetry, we recommend maintaining a controlled environment of 70 to 75 degrees Fahrenheit and 30% to 50% humidity in the areas where your cabinetry is stored or installed. Environmental conditions **cannot** be controlled by the manufacturer and the effects of the movement in wood is **not** considered to be a manufacturing defect and will **not** be considered a reason for replacement.

**Note:** Wood products, including cabinet doors and face frames, are typically affected by environmental conditions. Color variation over time, as well as normal movement due to wood's expansion and contraction is part of the natural beauty of wood. This normal movement may cause hairline cracks in the finish surface at the joints and is considered a normal characteristic of semi-opaque or painted finishes. This will **not** be considered a reason for product replacement.

*See the door section of this book for door specie information and descriptions*

### Stain Finish Process

Stain is applied and brush-wiped to desired color. Next, sealer is applied to protect the finish and minimize warping and cracking of the hardwood. Sealer is then sanded to develop a bonding surface for the topcoating process. As a final step, a heat activated topcoat is applied to provide a beautiful and durable furniture finish. Finish availability varies by door style.

#### Stain

Available as standard

|            |       | WOOD SPECIES |
|------------|-------|--------------|
|            |       | Birch        |
| Finish     | Code  |              |
| Boardwalk  | BWNON | ❖            |
| Pecan      | PCNON | ❖            |
| Steel Grey | SGNON | ❖            |
| Twilight   | TWNON | ❖            |

### Paint Finish Process

Painted finishes feature rich, beautiful color while allowing some of the natural beauty of the wood to show.

Several coats of rich, semi-opaque paint coat the wood or engineered substrate using an automated application process.

Natural wood characteristics such as gum pockets, streaks and pin knots may be visible, particularly with some of our lighter paints. These characteristics tend to be more pronounced on the backs of our doors and drawers.

Since wood naturally expands and contracts, you may see hairline separation in the finish surface at the joints. Joint lines are normal and do **not** affect the strength of the door's construction.

Finish availability varies by door style.

**Note:** Self-cleaning ovens generate high temperatures which can cause discoloration of painted finishes. To minimize risk, it is recommended that you open doors and drawers adjacent to the oven during cleaning cycles.

### Paint

Available with an upcharge

|        |       | WOOD SPECIES |
|--------|-------|--------------|
|        |       | Birch        |
| Finish | Code  |              |
| Cotton | CTNON | ●            |
| Shale  | SENON | ●            |

### Laminate - Wrapped Process

Door rails and stiles are individually wrapped with laminate; ends of door stiles are edge banded. Slab drawer fronts are medium density fiberboard (MDF) core with laminate wrap and edge banded along side edges.

The cabinetry face frame features solid hardwood finished to match the wrapped doors and drawer fronts. While great care has been taken to match the face frame to the doors and drawer fronts, texture and color variations can be expected. Prolonged exposure to tobacco smoke will discolor wrapped finishes, and this side effect is **not** covered under warranty. Finish availability varies by door style.

**Note:** Self-cleaning ovens generate high temperatures which can cause discoloration of laminated finishes. To minimize risk, it is recommended that you open doors and drawers adjacent to the oven during cleaning cycles.

### Laminate

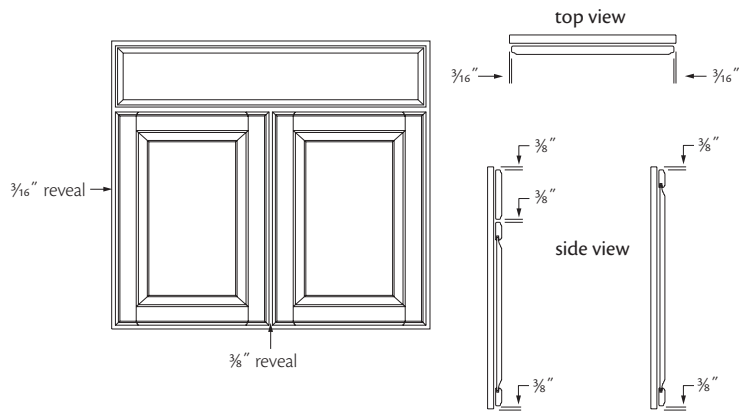
Available as standard

|        |       | WOOD SPECIES |
|--------|-------|--------------|
|        |       | Laminate     |
| Finish | Code  |              |
| Grey   | GRNON | ❖            |
| White  | WHNON | ❖            |

**Notes**

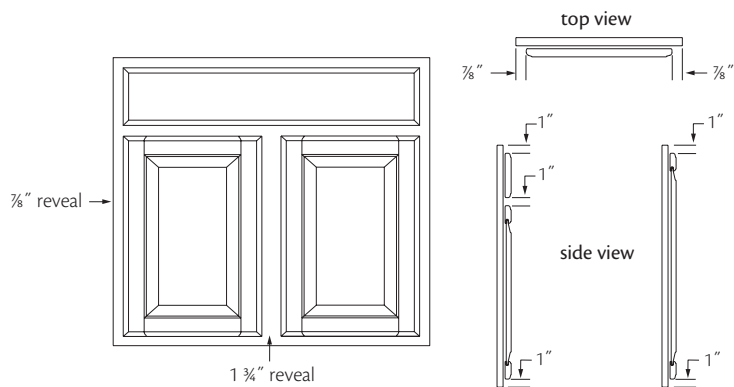
# Cabinet Specifications

## Full Overlay - Concealed Hinges



- Full Overlay doors leave  $\frac{3}{16}$ " of the cabinet's face frame exposed on either side of the doors and  $\frac{3}{8}$ " exposed between doors
- Butt door cabinets have  $\frac{1}{8}$ " reveal between doors
- Nickel-finished self-closing hinges. Adjustable six ways for perfect alignment
- SoftAction functionality integrated on most cabinets, allows doors to close softly and quietly
- The reveals shown here may vary slightly on some cabinets due to actual door/drawer front sizes used
- **Note:** Door styles with square outside edges are unable to be opened simultaneously on adjacent cabinets because the doors will rub together. This is a common occurrence due to the sizing of full overlay doors

## Partial Overlay - Concealed Hinges



- Partial overlay doors leave  $\frac{7}{8}$ " of the cabinet's face frame exposed on either side of the doors and  $1\frac{3}{4}$ " exposed between doors
- Butt door cabinets have  $\frac{1}{8}$ " reveal between doors
- Nickel-finished self-closing hinges. Adjustable six ways for perfect alignment
- SoftAction functionality integrated on most cabinets, allows doors to close softly and quietly
- The reveals shown here may vary slightly on some cabinets due to actual door/drawer front sizes used

## Cabinet Specs

Our cabinetry makes better use of nature's hardwood, while providing a quality product. The wide range of wood colors and grain variations are natural characteristics of the wood and not a defect.

### CABINET FRAMES

3/4" thick, kiln dried, solid hardwood joined with pocket screw joinery construction.

### END PANELS

3/8" thick engineered wood is permanently finished on 2 sides with a laminate resistant to water and most household chemicals. End panels are machined to accept tops, bottoms, and backs. Ends are drilled to accept adjustable shelves. Tall cabinet end panels are 1/2" thick.

### OPTIONAL ALL PLYWOOD CONSTRUCTION END PANELS

1/2" thick unfinished veneer exterior. Interior is permanently laminated with laminate resistant to water and most household chemicals.

### WALL TOPS AND BOTTOMS

1/2" thick engineered wood is permanently finished on 2 sides with a laminate resistant to water and most household chemicals.

### OPTIONAL ALL PLYWOOD CONSTRUCTION WALL TOPS & BOTTOMS

1/2" thick plywood is permanently finished on 2 sides with a laminate resistant to water and most household chemicals.

### BASE BOTTOMS

1/2" thick engineered wood is permanently finished on 1 side with a laminate resistant to water and most household chemicals.

### OPTIONAL ALL PLYWOOD CONSTRUCTION BASE BOTTOMS

1/2" thick plywood is permanently finished one 1 side with a laminate resistance to water and most household chemicals.

### SHELVES

3/4" thick engineered wood is permanently finished on 2 sides for full depth shelves. Half-depth base cabinet shelves in 39" wide cabinets and wider are finished 1 side, half-depth base cabinet shelves in cabinets less than 39" wide are finished two sides with a laminate resistant to water and most household chemicals. Front edge is edge banded with melamine banding. Wall and Base cabinets have adjustable shelves supported by adjustable shelf clips.

Half-depth shelves in base cabinets 39" wide and wider have a matching full-length support apron secured to the underside near the front edge for additional support. Shelves are designed to support 15 lbs. per square foot, not to exceed 50 lbs. per shelf.

### OPTIONAL ALL PLYWOOD CONSTRUCTION SHELVES

3/4" thick plywood is permanently finished on 2 sides for full depth shelves and 1 side for half-depth Base cabinet shelving with a laminate resistant to water and most household chemicals. Front edge is edge banded with melamine banding. Wall and Base cabinets have adjustable shelves supported by adjustable shelf clips.

Half-depth shelves in Base cabinets 39" wide and wider have a matching full-length support apron secured to the underside near the front edge for additional support. Shelves are designed to support 15 lbs. per square foot, not to exceed 50 lbs. per shelf

### BOOKCASE SHELVES

3/4" thick engineered wood, permanently laminated two sides to match exterior finish of cabinet. All bookcase units have adjustable shelves. Front edge is edge banded.

### OPTIONAL ALL PLYWOOD CONSTRUCTION BOOKCASE SHELVES

3/4" thick plywood, permanently laminated two sides to match exterior finish of cabinet. All bookcase units have adjustable shelves. Front edge is edge banded.

### WALL BACKS

3/8" thick engineered wood finished on one side with a laminate resistant to water and household chemicals. Full-length dadoes in back allow tops and bottoms to be captured, stapled and glued.

### OPTIONAL ALL PLYWOOD CONSTRUCTION WALL BACKS

3/8" thick plywood finished on one side with a laminate resistant to water and household chemicals. Full-length dadoes in back allow tops and bottoms to be captured, stapled and glued.

### BASE BACKS

1/4" thick engineered wood finished on one side with a laminate resistant to water and household chemicals. Extends full-length to floor.

### OPTIONAL ALL PLYWOOD CONSTRUCTION BASE BACKS

1/4" thick plywood finished on one side with a laminate resistant to water and household chemicals. Extends full length to floor.

### WALL HANG RAILS

3/8" thick engineered wood full-length across top and bottom secured with staples.

### OPTIONAL ALL PLYWOOD CONSTRUCTION WALL HANGRAILS

3/8" thick plywood full-length across top and bottom secured with staples.

### BASE HANG RAILS

1/4" Engineered Wood full-length across top secured with staples

### DRAWER GUIDES

75 pound rated drawer guide system, side mounted, 3/4 extension with self-adjusting mounting brackets at rear. Drawer slides are fastened to the drawer box with screws.

### DRAWER FRONTS

3/4" solid hardwood on all wood styles. Laminate and substrate on laminate drawer fronts use the same materials as corresponding door style.

### DRAWER CORES

1/2" thick sides, fronts and backs of engineered wood. Top edges are finished with melamine banding. Side surfaces are finished with a laminate resistant to water and most household chemicals. 3/8" thick engineered wood bottom panel is finished on one side with same laminate. Laminate/edge banding finish is Natural Maple. Drawer sides are rabbeted to join the drawer box fronts and backs. Each corner is joined with glue and stapled. Standard drawer interior height is 3 5/8". Base cabinet interior front-to-back depth is 20 11/16"; vanity is 17 15/16".

### OPTIONAL DOVETAIL WOOD DRAWER WITH UNDERMOUNT GUIDE SYSTEM

5/8" sides, fronts and backs are solid hardwood. Drawer sides, fronts and backs are joined with half blind dovetail joints. Nominal 3/16" Medium Density Fiberboard (MDF) drawer bottom is laminate surface for easy cleaning. Drawer bottom is joined to the drawer sides, front and back on all 4 sides with a groove.

Hardwood drawer components are finished with clear sealer and topcoat on exposed surfaces. Standard drawer interior height is 2 3/4"; deep drawers are 5 3/4". Base cabinet interior front-to-back depth is 19 13/32"; vanity is 16 7/16".

Full extension soft close undermount guide system is concealed, self-closing and can be adjusted to align the drawer head.

### TOE KICK

1/2" thick engineered wood. Toe kick extends from floor to bottom of cabinet, closing the toe kick area. Toe kick cover is required and sold separately.

### OPTIONAL ALL PLYWOOD CONSTRUCTION TOEKICK

1/2" thick plywood. Toe kick extends from floor to bottom of cabinet, closing the toe kick area. Toe kick Cover is required and sold separately.

### HINGES

Partial overlay door styles come with fully concealed European style SoftAction hinges that feature 105° opening, 6-way adjustment, and a self closing feature on most doors.

Full overlay door styles come with fully concealed European style SoftAction hinges that feature 107° opening, 6-way adjustment, and a self closing feature on most doors.

Some corner cabinets using concealed hinges will have hinges with wider opening capability for improved access.

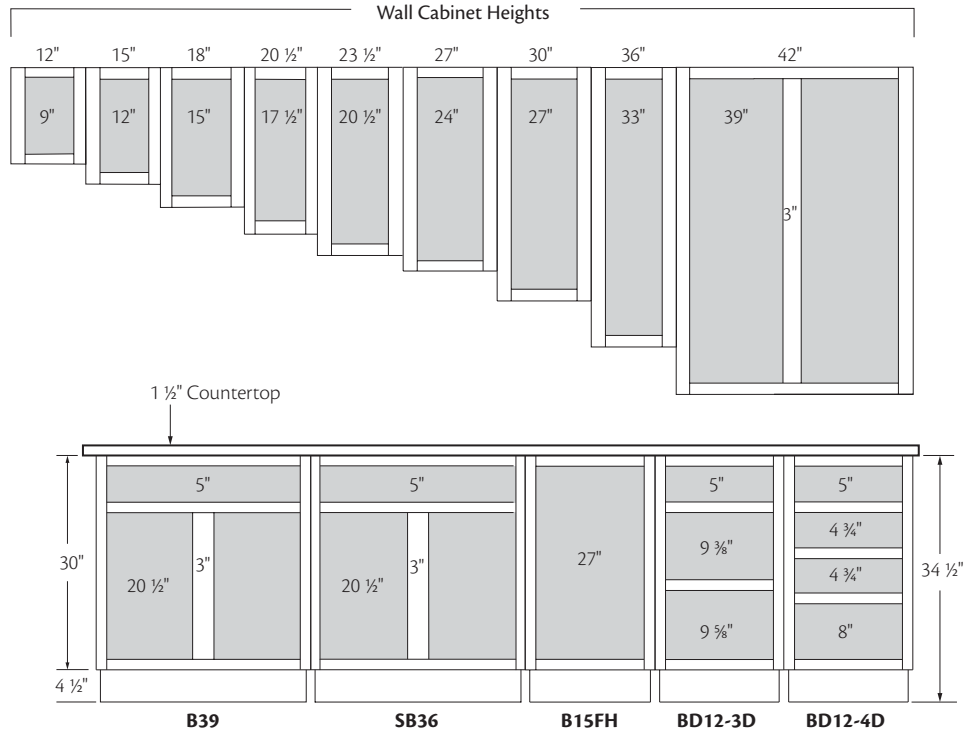
### FIRE RESISTANCE

Overlaid engineered wood used for cabinet construction has been tested in accordance with UL standard recognized ASTM E162 Standard Test Method for Surface Flammability of Materials Using a Radiant Heat Energy Source, and is compliant with HUD Standard 3280.203.

### FORMALDEHYDE EMISSIONS LEVELS

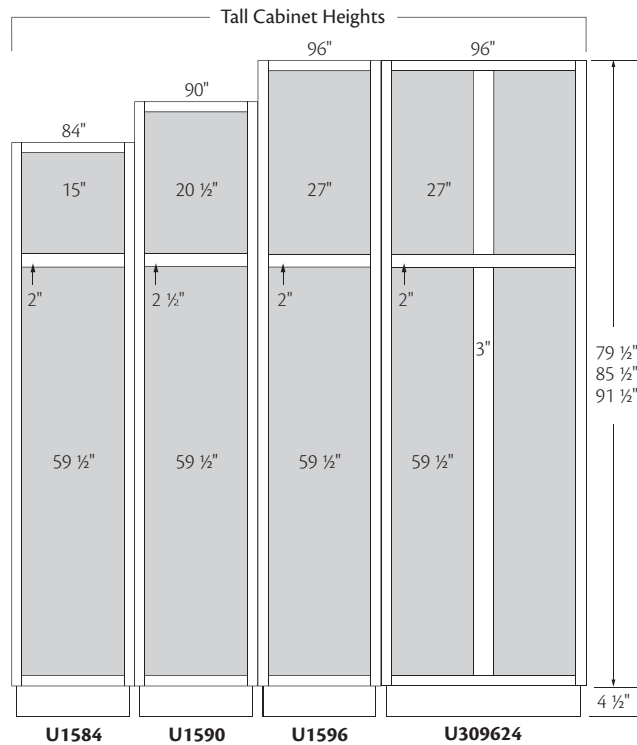
Formaldehyde emissions comply with requirements of 24 CFR Part 3280.308 (amended January 12, 2021), the HUD rule on Manufactured Home Construction and Safety Standards. All composite wood complies with EPA TSCA Title VI and CARB ATCM 93120 Phase 2 for formaldehyde emissions.

## Wall and Base Frame Dimensions



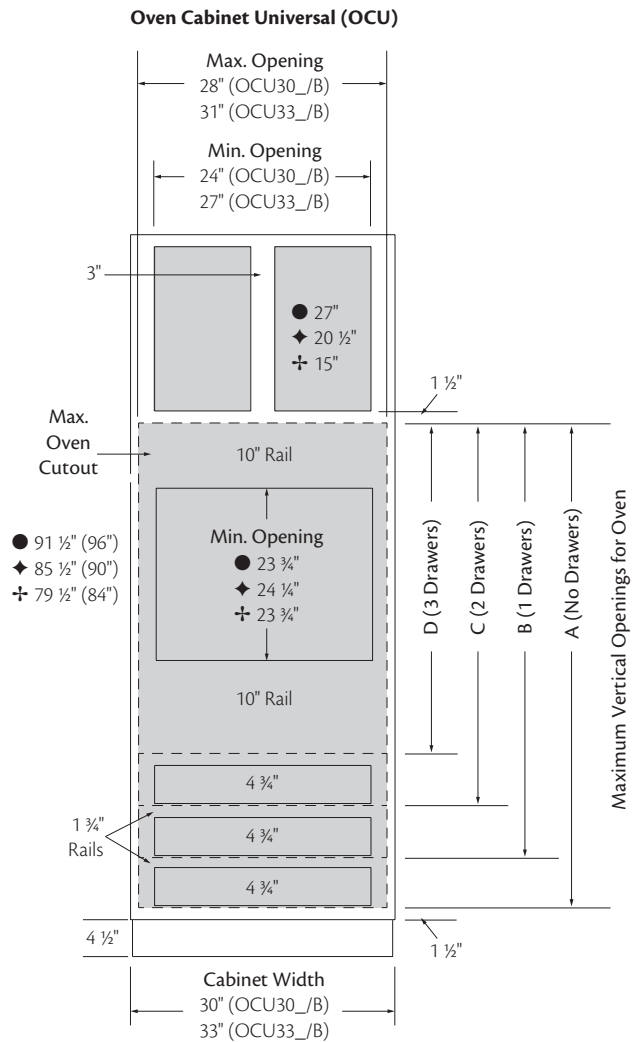
- Vertical opening sizes are shaded in grey
- Stiles and rails are 1 1/2" wide unless otherwise noted
- Unless otherwise noted, depth of cabinets excludes doors
- 3" wide vertical stiles divide double door cabinets. Stiles are removed on butt door cabinets

## Tall Frame Dimensions



- Vertical opening sizes are shaded in grey
- Stiles and rails are 1 1/2" wide unless otherwise noted
- Unless otherwise noted, depth of cabinets excludes doors
- 3" wide vertical stiles divide double door cabinets. Stiles are removed on butt door cabinets

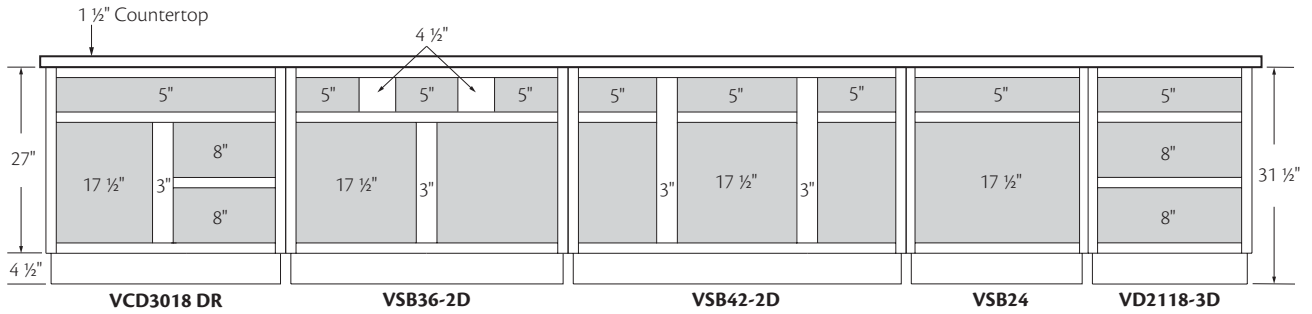
## Oven Cabinet Universal Frame Dimensions



| Maximum Vertical Openings for Oven |         |         |         |         |
|------------------------------------|---------|---------|---------|---------|
| Cabinet Height                     | A       | B       | C       | D       |
| 84"                                | 60"     | 53 3/4" | 47 1/4" | 40 3/4" |
| 90"                                | 60 1/2" | 54 1/4" | 47 3/4" | 41 1/4" |
| 96"                                | 60"     | 53 3/4" | 47 1/4" | 40 3/4" |

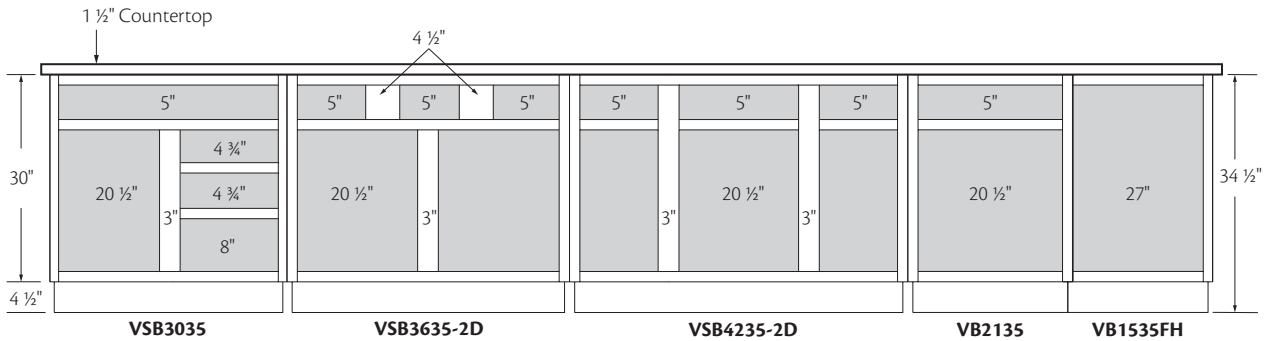
- Vertical opening sizes are shaded in grey
- Stiles and rails are 1 1/2" wide unless otherwise noted
- Unless otherwise noted, depth of cabinets excludes doors
- OCU cabinets have 3" wide trimmable full-length vertical stiles that provide opening width adjustment
- Substitute "\_" with cabinet's height
- 3" wide vertical stiles divide double door cabinets. Stiles are removed on butt door cabinets

### 31 1/2" Vanity Frame Dimensions



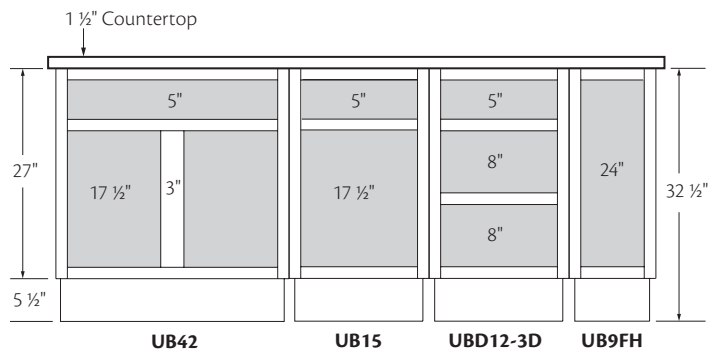
- Vertical openings are shaded in grey
- Stiles and rails are 1 1/2" unless otherwise noted
- Unless otherwise noted, depth of cabinets excludes doors
- 3" wide vertical stiles divide double door cabinets. Stiles are removed on butt doors

### 34 1/2" Vanity Frame Dimensions



- Vertical openings are shaded in grey
- Stiles and rails are 1 1/2" unless otherwise noted
- Unless otherwise noted, depth of cabinets excludes doors
- 3" wide vertical stiles divide double door cabinets. Stiles are removed on butt doors

### Universal Frame Dimensions



- Vertical openings are shaded in grey
- Stiles and rails are 1 1/2" unless otherwise noted
- Unless otherwise noted, depth of cabinets excludes doors
- 3" wide vertical stiles divide double door cabinets. Stiles are removed on butt doors

# Construction Options

## Construction Options and Modifications

- ❖ Included as standard
- Available with an upcharge
- ☆ Available with exceptions

(Blank) **Not** available

|     |  |
|-----|--|
| SSS | Standard Construction                          |
| SDS | Standard Construction with Dovetail Drawers    |
| ADU | All Plywood Construction with Dovetail Drawers |
| 09  | Depth Modification                             |
| 12  | Depth Modification                             |
| 15  | Depth Modification                             |
| 18  | Depth Modification                             |
| 21  | Depth Modification                             |

|     |                           |
|-----|---------------------------|
| 24  | Depth Modification        |
| HDS | Half Depth Shelf          |
| FDS | Full Depth Shelf          |
| FT  | Standard Full Width Trays |
| ST  | Standard Trays            |
| CFO | Cabinet Front Only        |
| CSO | Case Only                 |
| FRM | Frame Only                |

## Cabinet Construction

### What Is In Some of Our Plywood?

Multiple layers of wood materials, including wood veneers and medium density fiberboard (MDF), are used to create a hybrid product containing the following benefits:

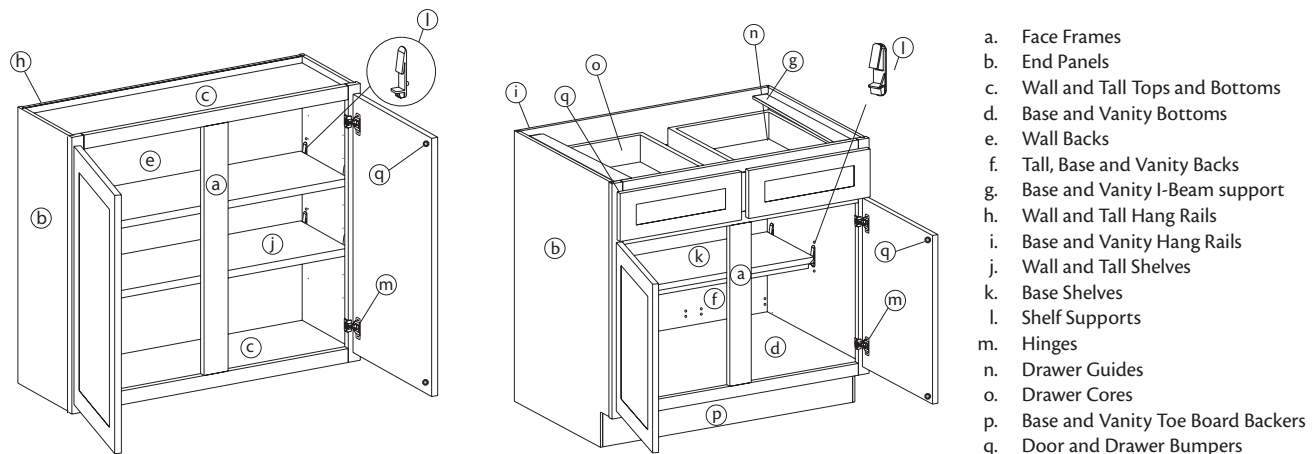
- Improved Strength and Finish Quality: Reduced expansion or contraction, which is better for a smooth, quality finish. This process also produces more rigid product.
- Environmentally Friendly: Supports CARB II standards. (CARB, or California Air Resource Board, is a control measure for reduced formaldehyde emissions from composite wood products).

Regardless of the wood material used in the various applications of our Plywood Construction, you can feel confident that some of the highest quality materials available are used to help ensure durable and long-lasting cabinets.

**Note:** According to the Department of Commerce, the core of hardwood and decorative plywood consists of a layer or layers of one or more material(s) that are situated between the face and back veneers. The core may be composed of a range of materials, including, but not limited to, veneers, particleboard, engineered wood and medium density fiberboard (MDF).

**Note:** All plywood construction refers to the structural elements of the products. Products also include glue, hinges, guides, fasteners, veneer and vinyl-clad drawer bottoms, toe kick support blocks, and hinges.

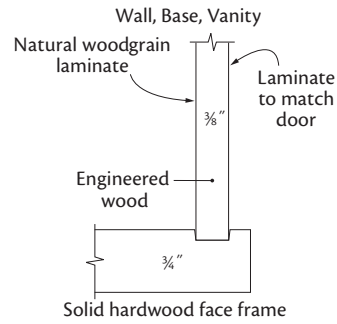
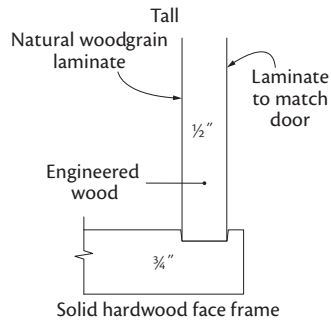
Material dimensions may vary slightly based upon lumber industry standards. Specifications subject to change without notice.



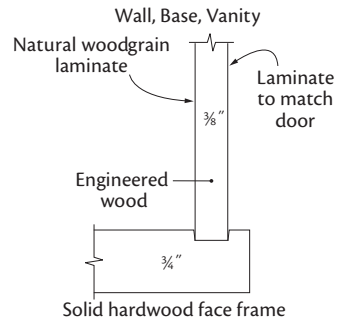
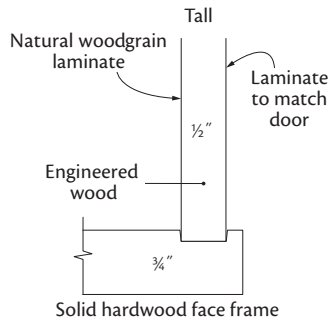
| Construction Option Chart               |  |  |  |  |   |  |
|---|--|--|--|--|---|--|
|   | Standard Construction (SSS)  | (SSS) Details  | Standard Construction with Dovetail Drawers (SDS)                          | (SDS) Details  | All Plywood Construction with Dovetail Drawers (ADU)                    | (ADU) Details  |
| <b>Face Frame</b>                       | Solid Hardwood   |  |  |  |   |  |
| <b>Wall, Base and Vanity End Panels</b> | 3/8" Engineered Wood   | Ext. Finish: laminate to match door and frame<br>Int. Finish: natural woodgrain laminate | 3/8" Engineered Wood   | Ext. Finish: laminate to match door and frame<br>Int. Finish: natural woodgrain laminate | 1/2" Plywood  | Ext Finish: unfinished<br>Int. Finish: natural woodgrain laminate                  |
| <b>Tall End Panels</b>                  | 1/2" Engineered Wood   |  | 1/2" Engineered Wood   |  | 1/2" Plywood  |  |
| <b>Wall Tops and Bottoms</b>            | 1/2" Engineered Wood   | Ext. Finish: natural woodgrain laminate<br>Int. Finish: natural woodgrain laminate       | 1/2" Engineered Wood   | Ext. Finish: natural woodgrain laminate<br>Int. Finish: natural woodgrain laminate       | 1/2" Plywood  | Ext. Finish: natural woodgrain laminate<br>Int. Finish: natural woodgrain laminate |
| <b>Tall Tops and Bottoms</b>            | 1/2" Engineered Wood   | Ext Finish: unfinished<br>Int. Finish: natural woodgrain laminate                        | 1/2" Engineered Wood   | Ext Finish: unfinished<br>Int. Finish: natural woodgrain laminate                        | 1/2" Plywood  | Ext Finish: unfinished<br>Int. Finish: natural woodgrain laminate                  |
| <b>Base and Vanity Bottoms</b>          | 1/2" Engineered Wood   |  | 1/2" Engineered Wood   |  | 1/2" Plywood  |  |
| <b>Wall Backs</b>                       | 3/8" Engineered Wood   | Ext Finish: unfinished<br>Int. Finish: natural woodgrain laminate                        | 3/8" Engineered Wood   | Ext Finish: unfinished<br>Int. Finish: natural woodgrain laminate                        | 3/8" Plywood  | Ext Finish: unfinished<br>Int. Finish: natural woodgrain laminate                  |
| <b>Hang Rail</b>                        | 3/8" Engineered Wood   |  | 3/8" Engineered Wood   |  | 3/8" Plywood  |  |
| <b>Base and Vanity Backs</b>            | 1/4" Engineered Wood   |  | 1/4" Engineered Wood   |  | 1/4" Plywood  |  |
| <b>Hang Rail</b>                        | 1/4" Engineered Wood   |  | 1/4" Engineered Wood   |  | 3/8" Plywood  |  |
| <b>Tall Backs</b>                       | 1/4" Engineered Wood   |  | 1/4" Engineered Wood   |  | 1/4" Plywood  |  |
| <b>Base and Vanity I-Beams</b>          | 1/2" Engineered Wood or Plywood stapled or glued to cabinet corners                      |  |  |  |   |  |
| <b>Standard Shelves</b>                 | 3/4" Engineered Wood w/Clear Polycarbonate Shelf Supports                                | 15 lbs per sq. ft.<br>50 lbs maximum load capacity                                       | 3/4" Engineered Wood w/Clear Polycarbonate Shelf Supports                  | 15 lbs per sq. ft.<br>50 lbs maximum load capacity                                       | 3/4" Plywood w/Clear Polycarbonate Shelf Supports                       | 15 lbs per sq. ft.<br>50 lbs maximum load capacity                                 |
| <b>Hinges</b>                           | Nickel-finished, self-closing, 6-way adjustable hinges with SoftAction functionality     |  |  |  |   |  |
| <b>Drawer Guides</b>                    | 3/4 extension side-mount drawer slide system   | 75 lbs load capacity   | Full extension, concealed, soft-close undermount slide system              | 75 lbs load capacity   | Full extension, concealed, soft-close undermount slide system           | 75 lbs load capacity   |
| <b>Drawer Core/Drawer Bottom</b>        | Core: 1/2" Engineered Wood<br>Bottom: 3/8" Engineered Wood                               |  | Core: 5/8" Solid Hardwood<br>Bottom: 3/16" Medium Density Fiberboard (MDF) | Drawers 30" and wider have 3/8" solid hardwood cleat for extra support                   | Core: 5/8" Solid Hardwood<br>Bottom: 3/16" veneer and vinyl-clad bottom | Drawers 30" and wider have 3/8" solid hardwood cleat for extra support             |
| <b>Toe Board Backer</b>                 | 1/2" Engineered Wood<br>Toespace - 4 1/2" tall (Universal is 5 1/2" tall) x *3 1/8" Deep |  |  |  | 1/2" Plywood  |  |
| <b>Roll-Out Trays</b>                   | 1/2" Engineered or Solid Wood  |  |  |  | 1/2" Solid Wood   |  |
| *Not including finished Toe Kick Cover  |  |  |  |  |   |  |

## Construction Options Diagram

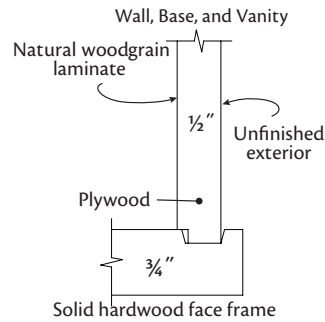
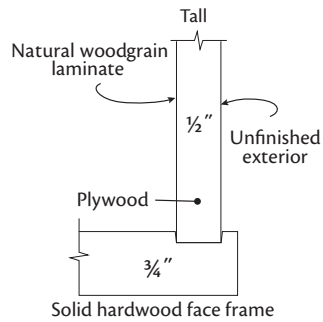
### Standard Construction (SSS)



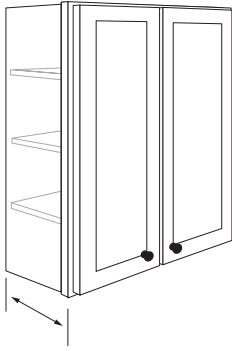
### Standard Construction with Dovetail Drawers (SDS)



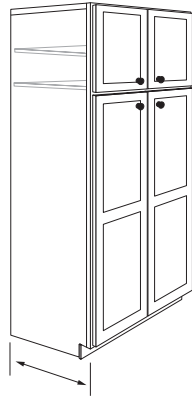
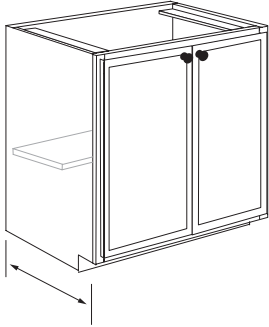
### All Plywood Construction with Dovetail Drawers (ADU)



## Depth Modification



09  
12  
15  
18  
21  
24

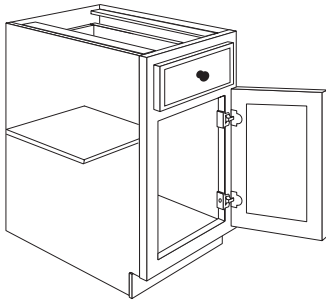


- Some cabinets can be reduced or increased in depth to fit design requirements. See cabinet for availability
- When this option is selected, (CFO) and (FRM) is no longer available
- Select trays are unavailable with this option
- Cabinets that normally have drawers ordered less than 18" deep will be replaced with a false drawer front

|     |    |     |
|-----|----|-----|
| SSS | ●  | 24  |
| SDS |    | HDS |
| ADU |    | FDS |
| ●   | 09 | FT  |
| ●   | 12 | ST  |
| ●   | 15 | CFO |
| ●   | 18 | CSO |
| ●   | 21 | FRM |

## Half Depth Shelf

HDS

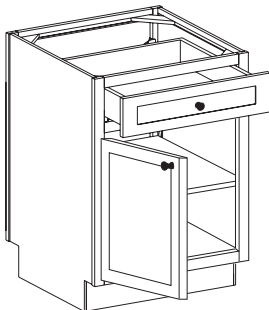


- 3/4" engineered wood with natural woodgrain laminate (SSS, SDS)
- 3/4" plywood with natural woodgrain laminate (ADU)
- Standard shelf for most Base and Universal cabinets
- Half-depth shelves in Base cabinets 39" wide and wider have a matching full-length support apron secured to the underside near the front edge for additional support. Shelves are designed to support 15 lbs. per square foot, unable to exceed 50 lbs. per shelf

|     |    |     |
|-----|----|-----|
| SSS |    | 24  |
| SDS | ◇  | HDS |
| ADU |    | FDS |
|     | 09 | FT  |
|     | 12 | ST  |
|     | 15 | CFO |
|     | 18 | CSO |
|     | 21 | FRM |

## Full Depth Shelf

FDS

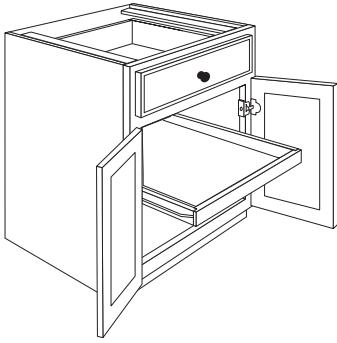


- 3/4" engineered wood with natural woodgrain laminate (SSS, SDS)
- 3/4" plywood with natural woodgrain laminate (ADU)
- Only available for Peninsula Base cabinets

|     |    |     |
|-----|----|-----|
| SSS |    | 24  |
| SDS |    | HDS |
| ADU | ●  | FDS |
|     | 09 | FT  |
|     | 12 | ST  |
|     | 15 | CFO |
|     | 18 | CSO |
|     | 21 | FRM |

## Standard Full-Width Trays

1FT

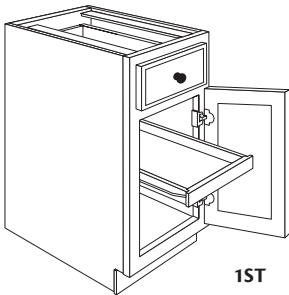


- Standard tray spans the full-width of cabinet
- Standard trays sides and back are 1/2" thick engineered wood with 3/8" thick engineered wood bottom, natural wood grain laminate. Fronts are 3/4" thick solid hardwood
- Wood trays have solid hardwood tray core with 3/4" thick front, 1/2" thick sides and back, and 3/16" vinyl-clad bottom panel with natural woodgrain laminate
- Available in select Base cabinets
- 3/4 extension side mount glide
- 75 lbs. capacity
- Shelves are omitted from cabinets when Roll-Out Tray options are selected
- (ADU) has solid wood Roll-Out Trays, order using Standard Trays
- **Note:** Unavailable on cabinets reduced to 12" or 15" deep

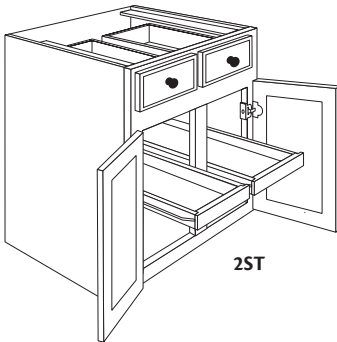
|     |      |
|-----|------|
| SSS | 24   |
| SDS | HDS  |
| ADU | FDS  |
| 09  | ● FT |
| 12  | ST   |
| 15  | CFO  |
| 18  | CSO  |
| 21  | FRM  |

## Standard Trays

1ST  
2ST



1ST



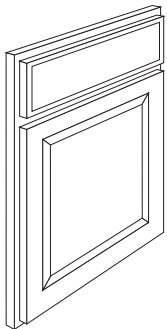
2ST

- Standard trays sides and back are 1/2" thick engineered wood with 3/8" thick engineered wood bottom, natural wood grain laminate. Fronts are 3/4" thick solid hardwood
- Wood trays have solid hardwood tray core with 3/4" thick front, 1/2" thick sides and back, and 3/16" vinyl-clad bottom panel with natural woodgrain laminate
- Available for most Base and Universal cabinets
- 3/4 extension side mount glide
- 75 lbs. capacity
- Shelves are omitted from cabinets when Roll-Out Tray options are selected
- (ADU) has solid wood Roll-Out Trays, order using Standard Trays
- **Note:** Unavailable on cabinets reduced to 12" or 15" deep

|     |      |
|-----|------|
| SSS | 24   |
| SDS | HDS  |
| ADU | FDS  |
| 09  | FT   |
| 12  | ● ST |
| 15  | CFO  |
| 18  | CSO  |
| 21  | FRM  |

## Cabinet Front Only

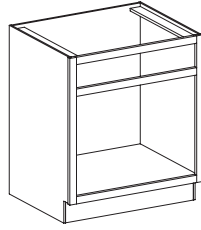
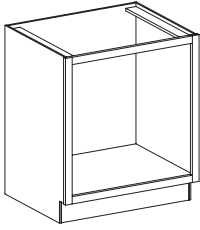
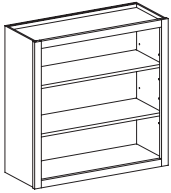
CFO



- Available on most cabinets, see individual models for exceptions
- Front frame, doors and drawer fronts only
- **Note:** Unavailable with any depth modifications, tray, or shelf options
- Does **not** include toe kick

|     |       |
|-----|-------|
| SSS | 24    |
| SDS | HDS   |
| ADU | FDS   |
| 09  | FT    |
| 12  | ST    |
| 15  | ● CFO |
| 18  | CSO   |
| 21  | FRM   |

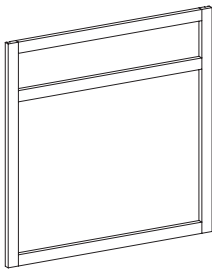
**Case Only Option  
CSO**



- (CSO) option on Walls: Includes shelves, if applicable; Interior and shelves are natural wood grain laminate; no doors or hinges
- (CSO) option on Base, Base Drawer, Vanity, Vanity Drawer, Tall and Universal: Includes cabinet box only; does **not** include doors, drawer fronts, drawer cores, hinges, shelves, trays and slides
- Available on most cabinets, see individual models for exceptions
- Cabinets with revolving shelves will ship with revolving shelves; Base Corner Fixed Shelf will ship with fixed shelf

|     |       |
|-----|-------|
| SSS | 24    |
| SDS | HDS   |
| ADU | FDS   |
| 09  | FT    |
| 12  | ST    |
| 15  | CFO   |
| 18  | ● CSO |
| 21  | FRM   |

**Frame Only Option  
FRM**



- Face Frame only
- Does **not** include doors, drawer fronts, or hinges
- Available on most cabinets, see individual models for exceptions

|     |       |
|-----|-------|
| SSS | 24    |
| SDS | HDS   |
| ADU | FDS   |
| 09  | FT    |
| 12  | ST    |
| 15  | CFO   |
| 18  | CSO   |
| 21  | ● FRM |

**Notes**

# Wall Cabinets

## Construction Options and Modifications

- ❖ Included as standard
- Available with an upcharge
- ☆ Available with exceptions
- (Blank) **Not** available

|     |  |     |                    |
|-----|--|-----|--------------------|
| SSS | Standard Construction                          | 21  | Depth Modification |
| SDS | Standard Construction with Dovetail Drawers    | 24  | Depth Modification |
| ADU | All Plywood Construction with Dovetail Drawers | CFO | Cabinet Front Only |
| 09  | Depth Modification                             | CSO | Case Only          |
| 15  | Depth Modification                             | FRM | Frame Only         |
| 18  | Depth Modification                             |     |                    |

## Wall Cabinet Information

**Note:** Standard wall cabinet box depth is 12" unless stated otherwise. Add door thickness with bumpers for total depth.

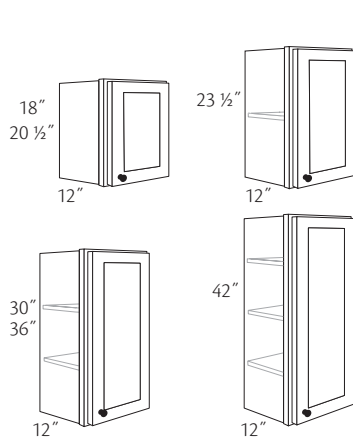
**Caution:** Installation of a wall cabinet 30" or wider requires additional support, such as attachment to a soffit, or support from below. Failure to provide additional support could result in collapse of the cabinet, serious personal injury, or property damage. Damage relating to failure to provide additional support is not covered by the limited warranty. See warranty for details.

Any wall cabinet over 24" wide or 30" high with a depth greater than 12" and/or butt doors must be installed between two cabinets, a cabinet and a wall, or supported from below.

Cabinets with a "B" suffix have BUTT doors without a center stile.

**Note:** Cabinets ordered with ADU construction option will be supplied with unfinished exterior end panel. Wall end panel is required to finish exposed end of cabinet run.

Material dimensions may vary slightly based on lumber industry standards. Specifications subject to change without notice.



### Wall Single Door

*No shelf*  
18" High  
**W1518 R or L**  
**W1818 R or L**  
**W2418 R or L**

*No shelf*  
20 1/2" High  
**W2421 R or L**

*One shelf*  
23 1/2" High  
**W1824 R or L**  
**W2124 R or L**  
**W2424 R or L**

*Two shelves*  
30" High  
**W930 R or L**  
**W1230 R or L**  
**+ W1530 R or L**  
**+ W1830 R or L**  
**+ W2130 R or L**  
**+ W2430 R or L**

† Door size available with Accessory Hinged Prep for Glass Door, in select door styles only

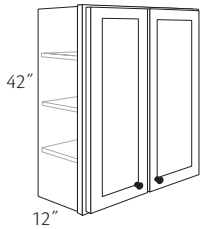
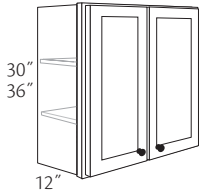
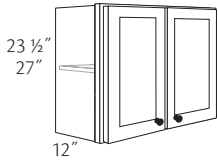
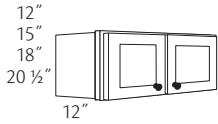
*Two shelves*  
36" High  
**W936 R or L**  
**W1236 R or L**  
**+ W1536 R or L**  
**+ W1836 R or L**  
**+ W2136 R or L**  
**+ W2436 R or L**

*Three shelves*  
42" High  
**W942 R or L**  
**W1242 R or L**  
**+ W1542 R or L**  
**+ W1842 R or L**  
**+ W2142 R or L**  
**+ W2442 R or L**

- Specify R or L for door hinging
- Adjustable shelves
- Accessory Hinged Prep for Glass Door is available in select door styles and sizes. For more information, see the Replacement Parts > Replacement Hardware section
- Unless ordered as a Case Only (CSO), cabinets intending to receive Prep for Glass (PG) doors will ship with original, non-glass doors. If original non-glass doors are **not** required, cabinets should be ordered as Case Only (CSO) with the appropriate Prep for Glass (PG) size to be installed in the field

|       |       |
|-------|-------|
| ❖ SSS | ● 21  |
| ❖ SDS | ● 24  |
| ● ADU | ● CFO |
| ● 09  | ● CSO |
| ● 15  | ● FRM |
| ● 18  |       |

### Wall Double Door



No shelf

12" High  
**W3012**  
**W3012B**  
**W3612**  
**W3612B**  
**W3912**

No shelf

15" High  
**W3015**  
**W3015B**  
**W3315**  
**W3615**  
**W3615B**  
**W3915**

No shelf

18" High  
**W3018**  
**W3018B**  
**W3318**  
**W3618**  
**W3618B**  
**W3918**

No shelf

20 1/2" High  
**W3021**  
**W3021B**  
**W3621**  
**W3621B**

One shelf

23 1/2" High  
**W3024**  
**W3024B**  
**W3324**  
**W3624**  
**W3624B**  
**W3924**  
**W4224**

One shelf

27" High  
**W3027**  
**W3027B**

Two shelves

30" High  
**W2430D**  
**W2730B**

+ **W3030**  
 + **W3030B**  
 + **W3630**  
 + **W3630B**  
**W3930**  
 + **W4230**  
 + **W3330**  
**W4530**  
 + **W4830**

Two shelves

36" High  
**W2436D**  
**W2736B**

+ **W3036**  
 + **W3036B**  
 + **W3336**  
 + **W3636**  
 + **W3636B**  
**W3936**  
 + **W4236**

Three shelves

42" High  
**W2442D**  
**W2742B**

+ **W3042**  
 + **W3042B**  
 + **W3342**  
 + **W3642**  
 + **W3642B**  
**W3942**  
 + **W4242**

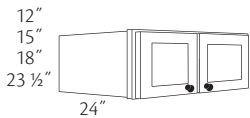
- Adjustable shelves
- Accessory Hinged Prep for Glass Door is available in select door styles and sizes. For more information, see the Replacement Parts > Replacement Hardware section

- Unless ordered as a Case Only (CSO), cabinets intending to receive Prep for Glass (PG) doors will ship with original, non-glass doors. If original non-glass doors are **not** required, cabinets should be ordered as Case Only (CSO) with the appropriate Prep for Glass (PG) size to be installed in the field

|       |       |
|-------|-------|
| ◆ SSS | ● 21  |
| ◆ SDS | ● 24  |
| ● ADU | ● CFO |
| ● 09  | ● CSO |
| ● 15  | ● FRM |
| ● 18  |       |

+ Door size available with Accessory Hinged Prep for Glass Door, in select door styles only

### Wall Refrigerator



12" High

**WR3612**  
**WR3612B**  
**WR3912**

15" High

**WR3315**  
**WR3615**  
**WR3615B**  
**WR3915**

18" High

**WR3318**  
**WR3618**  
**WR3618B**  
**WR3918**

23 1/2" High

**WR3324**  
**WR3624**  
**WR3624B**  
**WR3924**

- No shelf
- Designed for use over refrigerators where there is adequate clearance



Caution: Additional support is required. See installation sheet provided with the

Framed Cabinet Installation Guide

|       |       |
|-------|-------|
| ◆ SSS | ● 21  |
| ◆ SDS | ● 24  |
| ● ADU | ● CFO |
| ● 09  | ● CSO |
| ● 15  | ● FRM |
| ● 18  |       |

# Wall Corner Cabinets

## Construction Options and Modifications

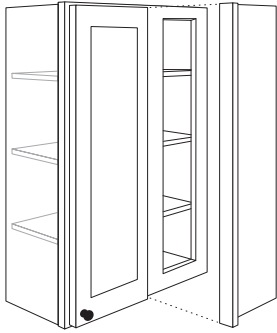
- ❖ Included as standard
- Available with an upcharge
- ☆ Available with exceptions

(Blank) **Not** available

|     |  |
|-----|--|
| SSS | Standard Construction                          |
| SDS | Standard Construction with Dovetail Drawers    |
| ADU | All Plywood Construction with Dovetail Drawers |
| 09  | Depth Modification                             |
| 15  | Depth Modification                             |
| 18  | Depth Modification                             |

|     |                    |
|-----|--------------------|
| 21  | Depth Modification |
| 24  | Depth Modification |
| CFO | Cabinet Front Only |
| CSO | Case Only          |
| FRM | Frame Only         |

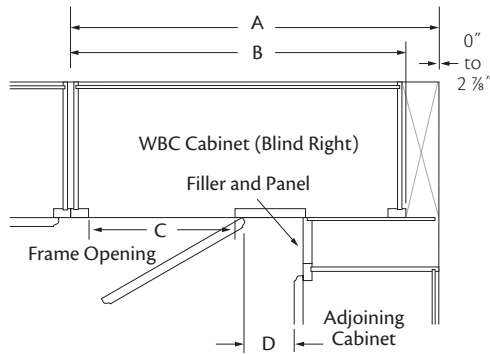
## Wall Blind Corner Cabinet Information



Wall Blind Corner Cabinet  
Blind Right (BR) shown

Wall Blind Corner

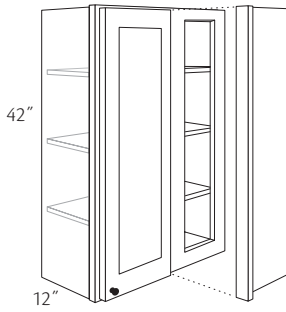
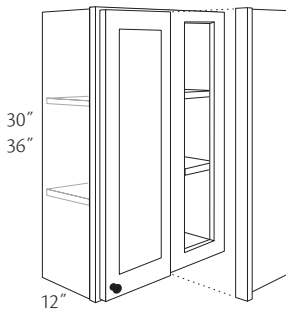
- Wall blind corner cabinets provide access to corner space and can adjusted up to 2 7/8" max. to aid in kitchen cabinet layout. Consult chart for pull dimensions and min. wall space requirements
- Pulling the cabinet away from the corner (2 7/8" max.), and using the supplied filler and panel provides clearance for opening doors when hardware is used
- BR or BL indicates blind end of cabinet. Please specify
- Door hinged on same side as blind
- Cabinets may be changed from right to left blind by inverting cabinet
- **Note:** A blind panel with 3" filler is included with each WBC cabinet; shipped unattached
- **Note:** Cabinets ordered with ADU construction option will be supplied with unfinished exterior end panel. Wall end panel is required to finish exposed end of cabinet run



| Wall Blind Corner | Partial Overlay |          |                   |                   | Full Overlay                |          |                |          |                   |                   |                             |          |
|-------------------|-----------------|----------|-------------------|-------------------|-----------------------------|----------|----------------|----------|-------------------|-------------------|-----------------------------|----------|
|                   | (A) Wall Space  |          | (B) Cabinet Width | (C) Frame Opening | (D) Door Hardware Clearance |          | (A) Wall Space |          | (B) Cabinet Width | (C) Frame Opening | (D) Door Hardware Clearance |          |
|                   | No Pull         | Max Pull |                   |                   | No Pull                     | Max Pull | No Pull        | Max Pull |                   |                   | No Pull                     | Max Pull |
| <b>WBC24/27</b>   | 24"             | 26 7/8"  | 24"               | 7 1/2"            | 1 1/2"                      | 4 3/8"   | 24"            | 26 7/8"  | 24"               | 7 1/2"            | 13/16"                      | 3 11/16" |
| <b>WBC30/33</b>   | 30"             | 32 7/8"  | 30"               | 13 1/2"           | 1 1/2"                      | 4 3/8"   | 30"            | 32 7/8"  | 30"               | 13 1/2"           | 13/16"                      | 3 11/16" |
| <b>WBC33/36</b>   | 33"             | 35 7/8"  | 33"               | 16 1/2"           | 1 1/2"                      | 4 3/8"   | 33"            | 35 7/8"  | 33"               | 16 1/2"           | 13/16"                      | 3 11/16" |
| <b>WBC36/39</b>   | 36"             | 38 7/8"  | 36"               | 19 1/2"           | 1 1/2"                      | 4 3/8"   | 36"            | 38 7/8"  | 36"               | 19 1/2"           | 13/16"                      | 3 11/16" |
| <b>WBC39/42</b>   | 39"             | 41 7/8"  | 39"               | 9", 10 1/2"       | 1 1/2"                      | 4 3/8"   | 39"            | 41 7/8"  | 39"               | 9", 10 1/2"       | 13/16"                      | 3 11/16" |
| <b>WBC42/45</b>   | 42"             | 44 7/8"  | 42"               | 10 1/2", 12"      | 1 1/2"                      | 4 3/8"   | 42"            | 44 7/8"  | 42"               | 10 1/2", 12"      | 13/16"                      | 3 11/16" |
| <b>WBC48/51</b>   | 48"             | 50 7/8"  | 48"               | 13 1/2", 15"      | 1 1/2"                      | 4 3/8"   | 48"            | 50 7/8"  | 48"               | 13 1/2", 15"      | 13/16"                      | 3 11/16" |

### Wall Blind Corner Single Door

Blind Right (BR) shown



Two shelves  
30" High  
**WBC24/2730 BR or BL**  
**+ WBC30/3330 BR or BL**  
**WBC33/3630 BR or BL**  
**WBC36/3930 BR or BL**

Two shelves  
36" High  
**WBC24/2736 BR or BL**  
**+ WBC30/3336 BR or BL**  
**WBC36/3936 BR or BL**

Three shelves  
42" High  
**WBC24/2742 BR or BL**  
**+ WBC30/3342 BR or BL**  
**WBC36/3942 BR or BL**

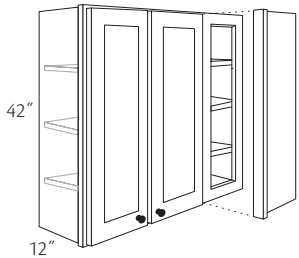
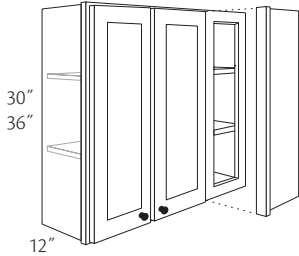
+ Door size available with Accessory Hinged Prep for Glass Door, in select door styles only

- Specify BR or BL for blind position
- Adjustable shelves
- Door hinged to center stile
- Do **not** pull cabinet more than 2 7/8" from corner
- **Note:** Blind Panel with 3" filler included; shipped unattached
- Accessory Hinged Prep for Glass Door is available in select door styles and sizes. For more information, see the Replacement Parts > Replacement Hardware section
- Unless ordered as a Case Only (CSO), cabinets intending to receive Prep for Glass (PG) doors will ship with original, non-glass doors. If original non-glass doors are **not** required, cabinets should be ordered as Case Only (CSO) with the appropriate Prep for Glass (PG) size to be installed in the field
- Invertible for L or R blind corner

|       |       |
|-------|-------|
| ◆ SSS | ● 21  |
| ◆ SDS | ● 24  |
| ● ADU | ● CFO |
| ● 09  | ● CSO |
| ● 15  | ● FRM |
| ● 18  |       |

### Wall Blind Corner Double Door

Blind Right (BR) shown



Two shelves  
30" High  
**WBC39/4230 BR or BL**  
**WBC42/4530 BR or BL**  
**WBC48/5130 BR or BL**

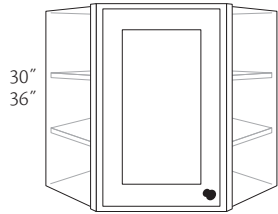
Two shelves  
36" High  
**WBC39/4236 BR or BL**  
**WBC42/4536 BR or BL**

Three shelves  
42" High  
**WBC39/4242 BR or BL**  
**WBC42/4542 BR or BL**

- Specify BR or BL for blind position
- Adjustable shelves
- Two different width doors; the narrower is located next to the blind panel
- Do **not** pull cabinet more than 2 7/8" from corner
- **Note:** Blind Panel with 3" filler included; shipped unattached
- Invertible for L or R blind corner

|       |       |
|-------|-------|
| ◆ SSS | ● 21  |
| ◆ SDS | ● 24  |
| ● ADU | ● CFO |
| ● 09  | ● CSO |
| ● 15  | ● FRM |
| ● 18  |       |

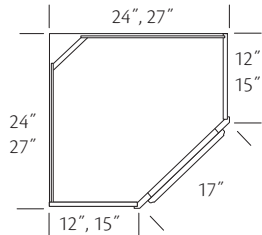
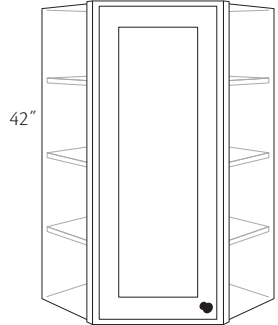
## Wall Angle Single Door



Two shelves  
30" High  
**WA2430 R or L**  
**WA2730 R or L**

Two shelves  
36" High  
**WA2436 R or L**  
**WA2736 R or L**

Three shelves  
42" High  
**WA2442 R or L**  
**WA2742 R or L**



- Specify R or L for door hinging
- Adjustable shelves
- Back corner removed for easy installation
- Full and partial overlay door widths are similar to avoid interference with adjacent cabinet doors
- Adjacent cabinets can be installed directly without fillers
- Accessory Hinged Prep for Glass Door is available in select door styles and sizes. For more information, see the Replacement Parts > Replacement Hardware section
- Unless ordered as a Case Only (CSO), cabinets intending to receive Prep for Glass (PG) doors will ship with original, non-glass doors. If original non-glass doors are **not** required, cabinets should be ordered as Case Only (CSO) with the appropriate Prep for Glass (PG) size to be installed in the field

|   |     |       |
|---|-----|-------|
| ◇ | SSS | 21    |
| ◇ | SDS | 24    |
| ● | ADU | ● CFO |
|   | 09  | ● CSO |
|   | 15  | ● FRM |
|   | 18  |       |

# Wall Open Cabinets

|     |  |    |                    |
|-----|--|----|--------------------|
| SSS | Standard Construction                          | 15 | Depth Modification |
| SDS | Standard Construction with Dovetail Drawers    | 18 | Depth Modification |
| ADU | All Plywood Construction with Dovetail Drawers | 21 | Depth Modification |
| 09  | Depth Modificaiton                             | 24 | Depth Modification |

## Construction Options and Modifications

- ❖ Included as standard
- Available with an upcharge
- ☆ Available with exceptions
- (Blank) **Not** available

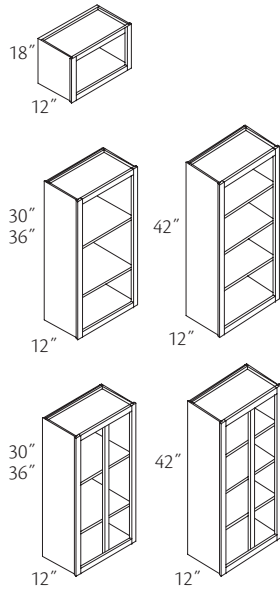
## Wall Open Cabinets Information

**Caution:** Bookcases are typically subjected to extreme weight. Additional support is required. Wall hung applications must be limited to 15 lbs. per square foot of shelf area; not to exceed 50 lbs. per shelf.

Material dimensions may vary slightly based on lumber industry standards. Specifications subject to change without notice.

**Note:** Cabinets ordered with ADU construction option will be supplied with unfinished exterior end panel. Wall end panel is required to finish exposed end of cabinet run

### Bookcase Cabinets

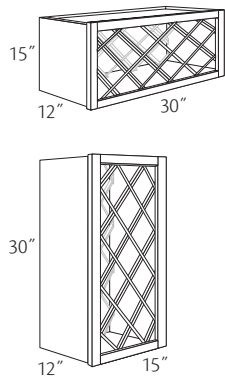


- |   |   |
|---|---|
| <p>No shelf<br/>18" High<br/><b>BK3018</b></p> <p>Two shelves<br/>30" High<br/><b>+ BK1530</b><br/><b>+ BK1830</b><br/><b>+ BK2130</b><br/><b>+ BK2430</b><br/><b>BK3030</b><br/><b>+ BK3630</b></p> <p>Two shelves<br/>36" High<br/><b>+ BK1536</b><br/><b>+ BK1836</b><br/><b>+ BK2136</b><br/><b>+ BK2436</b><br/><b>BK3036</b><br/><b>+ BK3636</b></p> <p>✦ Door size available with Accessory Hinged Prep for Glass Door, in select door styles only</p> | <p>Three shelves<br/>42" High<br/><b>+ BK1542</b><br/><b>+ BK1842</b><br/><b>+ BK2142</b><br/><b>+ BK2442</b><br/><b>BK3042</b><br/><b>+ BK3642</b></p> <p>With Frame Center Stile<br/>30" High<br/><b>+ BK3030D</b><br/><b>+ BK3630D</b></p> <p>36" High<br/><b>+ BK3036D</b><br/><b>+ BK3636D</b></p> <p>42" High<br/><b>+ BK3042D</b><br/><b>+ BK3642D</b></p> |
|---|---|

- Adjustable shelves
- 3/4" thick shelves
- Matching laminate interior
- Vertical wood grain back panel; except for painted finishes
- Includes low profile clear polycarbonate shelf supports in addition to hold-down style supports used for shipping
- Accessory Hinged Prep for Glass Door is available in select door styles and sizes. For more information, see the Replacement Parts > Replacement Hardware section

|       |      |
|-------|------|
| ❖ SSS | ● 15 |
| ❖ SDS | ● 18 |
| ● ADU | ● 21 |
| ● 09  | ● 24 |

### Wall Lattice



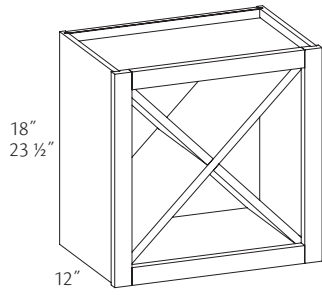
- |   |
|---|
| <p>Horizontal<br/>15" High<br/><b>WL3015</b> 11 Bottles</p> <p>Vertical<br/>30" High<br/><b>WL1530</b> 11 Bottles</p> |
|---|

- Matching laminate interior
- Lattices are finished on one side to match; unable to be removed
- Vertical wood grain back panel; except for painted finishes
- Lattice in painted finishes are painted hardwood
- 4" x 4" bottle openings

|       |    |
|-------|----|
| ❖ SSS | 15 |
| ❖ SDS | 18 |
| ● ADU | 21 |
| ● 09  | 24 |

## Wine Storage Cabinet

**WSC1818**  
**WSC2424**



- Matching laminate interior
- Requires additional support. Installation between two cabinets or cabinet and wall recommended
- Vertical wood grain back panel; except for painted finishes
- Cross member is unable to be removed

|   |     |    |
|---|-----|----|
| ◆ | SSS | 15 |
| ◆ | SDS | 18 |
| ● | ADU | 21 |
|   | 09  | 24 |

# Wall Appliance Cabinets

## Construction Options and Modifications

- ❖ Included as standard
  - Available with an upcharge
  - ☆ Available with exceptions
- (Blank) **Not** available

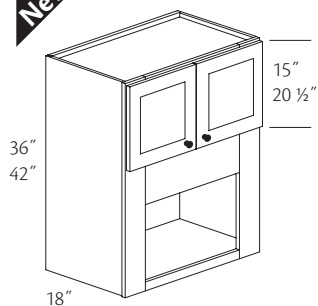
|     |  |     |                    |
|-----|--|-----|--------------------|
| SSS | Standard Construction                          | CFO | Cabinet Front Only |
| SDS | Standard Construction with Dovetail Drawers    | CSO | Case Only          |
| ADU | All Plywood Construction with Dovetail Drawers | FRM | Frame Only         |
| 21  | Depth Modification                             |     |                    |
| 24  | Depth Modification                             |     |                    |

## Wall Appliance Cabinet Information

Material dimensions may vary slightly based on lumber industry standards. Specifications subject to change without notice.

**Note:** Cabinets ordered with ADU construction option will be supplied with unfinished exterior end panel. Wall end panel is required to finish exposed end of cabinet run

**New**



### Wall Microwave Cabinet

18" Deep  
**WMC3036B**  
**WMC2742B**  
**WMC3042B**

Grey color coding indicates new product, size or code.

- No shelf in upper section
- Matching laminate interior
- Vertical wood grain back panel; except for painted finishes
- 4 1/2" wide trimmable face frame stiles
- Doors are attached with face-mounted concealed hinges

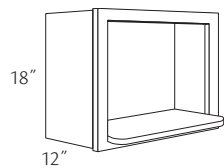
|       |       |
|-------|-------|
| ❖ SSS | ● 24  |
| ❖ SDS | ● CFO |
| ● ADU | ● CSO |
| ● 21  | ● FRM |



**Caution:** WMC cabinets require additional support. The cabinet should be screwed on both sides to adjacent cabinets, wall, soffit or ceiling joist

| Cabinet         | Opening Sizes |         | Trimmmable to |         |
|-----------------|---------------|---------|---------------|---------|
|                 | Width         | Height  | Width         | Height  |
| <b>WMC3036B</b> | 21"           | 13"     | 27"           | 19 1/2" |
| <b>WMC2742B</b> | 18"           | 13 1/2" | 24"           | 20"     |
| <b>WMC3042B</b> | 21"           | 13 1/2" | 27"           | 20"     |

### Wall Microwave Shelf



12" Deep  
**WMS301812**

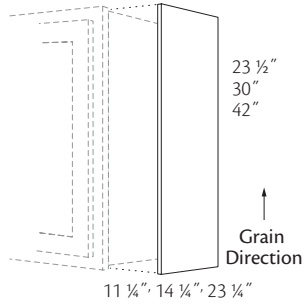
- 3/4" thick shelf extends 3 25/32" beyond face frame of cabinet
- Matching laminate interior
- Shelf shipped unattached for easier installation; mounting hardware included
- Vertical wood grain back panel; except for painted finishes
- Designed for countertop style microwaves
- **Note:** Install between two cabinets or between cabinet and side wall

|       |     |
|-------|-----|
| ❖ SSS | 24  |
| ❖ SDS | CFO |
| ● ADU | CSO |
| 21    | FRM |

| Cabinet          | Opening Sizes |         |               |
|------------------|---------------|---------|---------------|
|                  | Width         | Height  | Depth (Shelf) |
| <b>WMS301812</b> | 27"           | 14 1/4" | 15"           |

## Construction Options and Modifications

- ❖ Included as standard
  - Available with an upcharge
  - ☆ Available with exceptions
- (Blank) **Not** available



## Wall End Panel

- |   |   |
|---|---|
| <p>11 1/4" Wide Veneer</p> <ul style="list-style-type: none"> <li>■ <b>WEP30</b></li> <li>■ <b>WEP30-10</b></li> <li>■ <b>WEP42</b></li> <li>■ <b>WEP42-10</b></li> </ul> <p>14 1/4" Wide Veneer</p> <ul style="list-style-type: none"> <li>■ <b>WEP1524</b></li> <li>■ <b>WEP1524-10</b></li> <li>■ <b>WEP1530</b></li> <li>■ <b>WEP1530-10</b></li> <li>■ <b>WEP1542</b></li> <li>■ <b>WEP1542-10</b></li> </ul> <p>23 1/4" Wide Veneer</p> <ul style="list-style-type: none"> <li>■ <b>WEP2424</b></li> <li>■ <b>WEP2424-10</b></li> <li>■ <b>WEP2430</b></li> <li>■ <b>WEP2430-10</b></li> <li>■ <b>WEP2442</b></li> <li>■ <b>WEP2442-10</b></li> </ul> | <p>11 1/4" Wide Paper Laminate</p> <ul style="list-style-type: none"> <li>■ <b>WEP30P</b></li> <li>■ <b>WEP30P-10</b></li> <li>■ <b>WEP42P</b></li> <li>■ <b>WEP42P-10</b></li> </ul> <p>14 1/4" Wide Paper Laminate</p> <ul style="list-style-type: none"> <li>■ <b>WEP1524P</b></li> <li>■ <b>WEP1524P-10</b></li> <li>■ <b>WEP1530P</b></li> <li>■ <b>WEP1530P-10</b></li> <li>■ <b>WEP1542P</b></li> <li>■ <b>WEP1542P-10</b></li> </ul> <p>23 1/4" Wide Paper Laminate</p> <ul style="list-style-type: none"> <li>■ <b>WEP2424P</b></li> <li>■ <b>WEP2424P-10</b></li> <li>■ <b>WEP2430P</b></li> <li>■ <b>WEP2430P-10</b></li> <li>■ <b>WEP2442P</b></li> <li>■ <b>WEP2442P-10</b></li> </ul> |
|---|---|

■ Painted and laminate finishes are painted veneer

Grey color coding indicates new product, size or code.

- Used to trim exposed end of wall cabinet
- For right or left hand use
- Veneer: 3/16" thick panel, finished on one side; grain runs lengthwise
- Laminate: 1/8" thick panel, laminate on front side, back side unfinished
- 42" panels trimmable for 36" wall cabinets
- Offered individually or 10 per carton

❖ BR ❖ LM

# Wall Fillers

BR Birch

LM Laminate

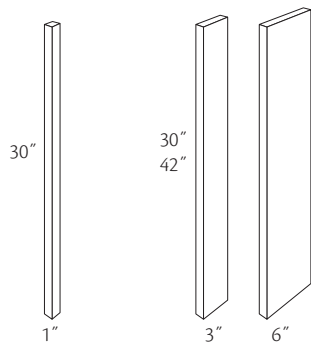
## Construction Options and Modifications

- ❖ Included as standard
- Available with an upcharge
- ☆ Available with exceptions

(Blank) **Not** available

Wall Cabinets

### Wall Filler



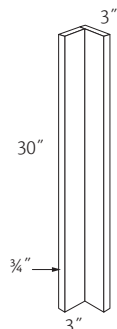
- 1" Wide  
**WF1-30**  
**WF1-30-6**
- 3" Wide  
**WF3-30**  
**WF3-30-6**  
**WF3-42**  
**WF3-42-6**
- 6" Wide  
**WF6-30**  
**WF6-30-6**  
**WF6-42**  
**WF6-42-6**

- 3/4" thick solid wood
- Painted hardwood supplied for painted and laminate finishes
- Finished on face surface only
- Offered individually or six per carton

❖ BR ❖ LM

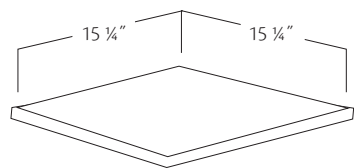
### Wall Filler Corner

#### WFC3-30



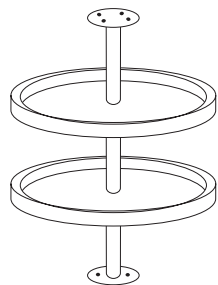
- 3" on each face
- 3/4" thick solid wood
- Painted hardwood supplied for painted and laminate finishes
- Finished on face surface only

❖ BR ❖ LM



## Wall Corner Closure WCC

- Easy to clean natural wood grain laminate; laminated two sides
- 1/2" thick engineered wood core (SSS, SDS)
- 1/2" thick plywood core (ADU)



## Lazy Susan Shelf Kit LS2

- Two 18" diameter white plastic independently revolving shelves
- Center post adjusts from 26" to 31" in height
- Designed to fit WA2430, WA2436, and WA2442 cabinets
- WA2436 and WA2442 cabinets require top adjustable shelf to be installed for post mounting

**Notes**

# Base Cabinets

## Construction Options and Modifications

- ❖ Included as standard
- Available with an upcharge
- ☆ Available with exceptions
- (Blank) **Not** available

|     |  |     |                           |
|-----|--|-----|---------------------------|
| SSS | Standard Construction                          | HDS | Half Depth Shelf          |
| SDS | Standard Construction with Dovetail Drawers    | FDS | Full Depth Shelf          |
| ADU | All Plywood Construction with Dovetail Drawers | FT  | Standard Full Width Trays |
| 12  | Depth Modification                             | ST  | Standard Trays            |
| 15  | Depth Modification                             | CFO | Cabinet Front Only        |
| 18  | Depth Modification                             | CSO | Case Only                 |
| 21  | Depth Modification                             | FRM | Frame Only                |

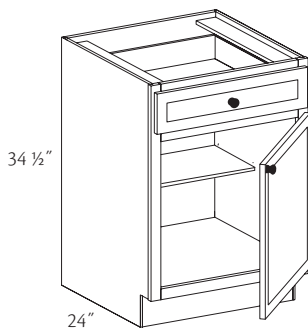
## Base Cabinet Information

Cabinets with a "B" suffix have BUTT doors without a center stile.

Material dimensions may vary slightly based on lumber industry standards. Specifications subject to change without notice.

**Note:** Cabinets ordered with ADU construction option will be supplied with unfinished exterior end panel. Base end panel is required to finish exposed end of cabinet run

### Base Single Door

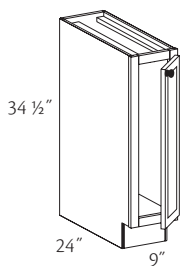


- B12 R or LHDS**
- B15 R or LHDS**
- B18 R or LHDS**
- B21 R or LHDS**
- B24 R or LHDS**

- Specify R or L for door hinging
- Standard height top drawer
- Back panel is pre-drilled for accessory Base Tray Kits; only available on 21" and 24" deep cabinets
- ☆ **Note:** When depth is reduced to 12" or 15", drawers become false fronts
- ☆ Tray options are available for cabinets with select depth modifications. See Construction Options for specifics
- **Note:** For tray or shelf options for select cabinets, replace HDS with the option code of your choice

|   |     |   |     |
|---|-----|---|-----|
| ❖ | SSS | ❖ | HDS |
| ● | SDS |   | FDS |
| ● | ADU |   | FT  |
| ☆ | 12  | ☆ | ST  |
| ☆ | 15  | ● | CFO |
| ● | 18  | ● | CSO |
| ● | 21  | ● | FRM |

### Base Single Door Full-Height

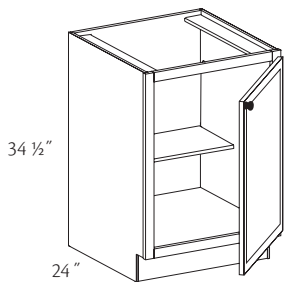


- ▲ **B9FH R or L**
- B12FH R or LHDS**
- B15FH R or LHDS**
- B18FH R or LHDS**
- B21FH R or LHDS**
- B24FH R or LHDS**

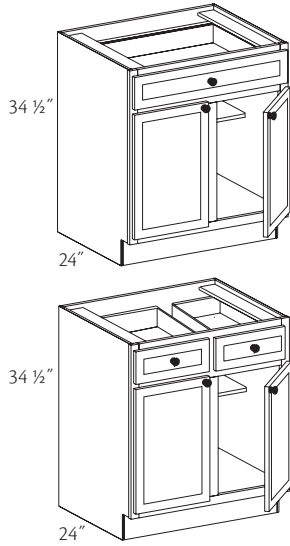
▲ Unavailable with tray or shelf options

- Specify R or L for door hinging
- Back panel is pre-drilled for accessory Base Tray Kits; only available on 21" and 24" deep cabinets

|   |     |   |     |
|---|-----|---|-----|
| ❖ | SSS | ❖ | HDS |
| ❖ | SDS |   | FDS |
| ● | ADU |   | FT  |
| ● | 12  |   | ST  |
| ● | 15  | ● | CFO |
| ● | 18  | ● | CSO |
| ● | 21  | ● | FRM |



### Base Double Door



- One drawer*  
 + **B24D HDS**  
 ■ **B27B HDS**  
 + **B30 HDS**  
 ■ **B30B HDS**  
 + **B33 HDS**  
 + **B36 HDS**  
 ■ **B36B HDS**  
 + **B39 HDS**

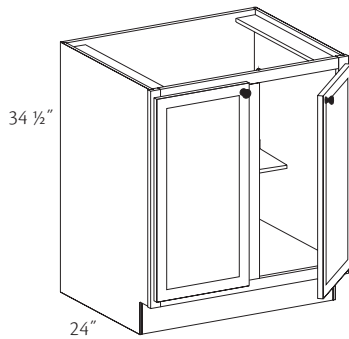
- Two drawers*  
 + **B42 HDS**  
 + **B45 HDS**  
 + **B48 HDS**

- + Standard Tray option only  
 ■ Full width tray option only

- Standard height top drawers
- ☆ **Note:** When depth is reduced to 12" or 15", drawers become false fronts
- ☆ Tray options are available for cabinets with select depth modifications. See Construction Options for specifics
- **Note:** For tray or shelf options for select cabinets, replace HDS with the option code of your choice
- Back panel is pre-drilled for accessory Base Tray Kits; only available on 21" and 24" deep cabinets

|       |       |
|-------|-------|
| ◇ SSS | ◇ HDS |
| ● SDS | FDS   |
| ● ADU | ☆ FT  |
| ☆ 12  | ☆ ST  |
| ☆ 15  | ● CFO |
| ● 18  | ● CSO |
| ● 21  | ● FRM |

### Base Double Door Full-Height

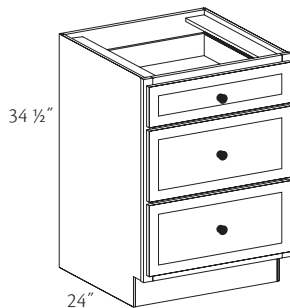


- 24" Deep*  
**B27BFH HDS**  
**B30FH HDS**  
**B30BFH HDS**  
**B33FH HDS**  
**B36FH HDS**  
**B36BFH HDS**  
**B39FH HDS**  
**B42FH HDS**  
**B48FH HDS**

- Two full-height doors
- Back panel is pre-drilled for accessory Base Tray Kits; only available on 21" and 24" deep cabinets

|       |       |
|-------|-------|
| ◇ SSS | ◇ HDS |
| ◇ SDS | FDS   |
| ● ADU | FT    |
| ● 12  | ST    |
| ● 15  | ● CFO |
| ● 18  | ● CSO |
| ● 21  | ● FRM |

### Base Three Drawer



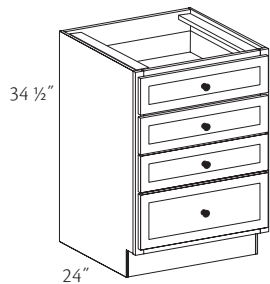
- 3/4 Extension Drawer*  
**BD12-3D**  
**BD15-3D**  
**BD18-3D**  
**BD21-3D**  
**BD24-3D**

- Full Extension Drawer*  
**BD30-3D**  
**BD36-3D**

- One standard height drawer on top
- Two deep drawers on bottom
- **Note:** See frame dimensions in the Cabinet Specifications section for drawer opening heights
- Cabinets BD12-3D to BD24-3D in SSS construction will have 3/4 extension epoxy side mount slides on all three drawers. SDS and ADU construction will have full-extension undermount soft-close slides on all three drawers
- Cabinets BD30-3D to BD36-3D in SSS construction will have standard 3/4 extension side mount slides on top drawer and full-extension ball bearing side mount slides on deep drawers. SDS and ADU construction will have full-extension undermount soft-close slides on all three drawers
- Cabinets BD30-3D to BD36-3D in SSS construction reduced depth to 18", will have all epoxy side-mount standard slides on all drawers

|       |       |
|-------|-------|
| ◇ SSS | HDS   |
| ● SDS | FDS   |
| ● ADU | FT    |
| 12    | ST    |
| 15    | ● CFO |
| ● 18  | ● CSO |
| ● 21  | ● FRM |

**Base Four Drawer**

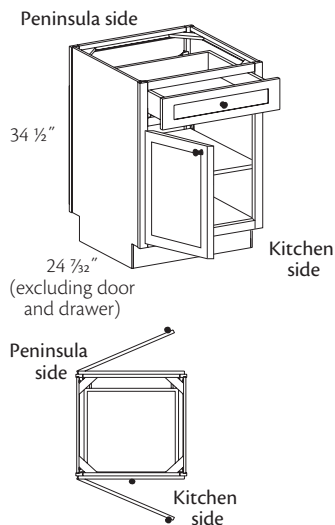


**BD12-4D**  
**BD15-4D**  
**BD18-4D**  
**BD21-4D**  
**BD24-4D**

- Three standard height drawers
- One deep drawer on bottom
- **Note:** See frame dimensions in the Cabinet Specifications section for drawer opening heights

|   |     |       |
|---|-----|-------|
| ◇ | SSS | HDS   |
| ● | SDS | FDS   |
| ● | ADU | FT    |
|   | 12  | ST    |
|   | 15  | ● CFO |
| ● | 18  | ● CSO |
| ● | 21  | ● FRM |

**Peninsula Base Single Door**

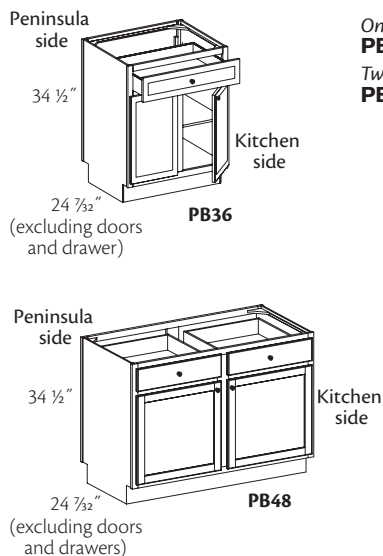


**PB18 R or LFDS**  
**PB24 R or LFDS**

- Specify R or L for door hinging on kitchen side
- One standard height full-width drawer opens on kitchen side
- Peninsula side has one full-width false drawer front above door
- Each side has one door hinged at the same end of cabinet
- **Note:** Select (FDS) option
- **Note:** Because these cabinets do **not** have back panels, it is **not** recommended to use Peninsula Base cabinets in island applications. Failure to follow this limitation could cause serious injury and will void the product warranty

|   |     |       |
|---|-----|-------|
| ◇ | SSS | HDS   |
| ● | SDS | ◇ FDS |
| ● | ADU | FT    |
|   | 12  | ST    |
|   | 15  | CFO   |
|   | 18  | ● CSO |
|   | 21  | FRM   |

**Peninsula Base Double Door**



*One drawer*  
**PB36 FDS**  
*Two drawers*  
**PB48 FDS**

- Kitchen side has standard height full-width drawer(s); Peninsula side has false drawer front(s) above door
- Each side has two doors
- **Note:** Select (FDS) option
- **Note:** Because these cabinets do **not** have back panels, it is **not** recommended to use Peninsula Base cabinets in island applications. Failure to follow this limitation could cause serious injury and will void the product warranty

|   |     |       |
|---|-----|-------|
| ◇ | SSS | HDS   |
| ● | SDS | ◇ FDS |
| ● | ADU | FT    |
|   | 12  | ST    |
|   | 15  | CFO   |
|   | 18  | ● CSO |
|   | 21  | FRM   |

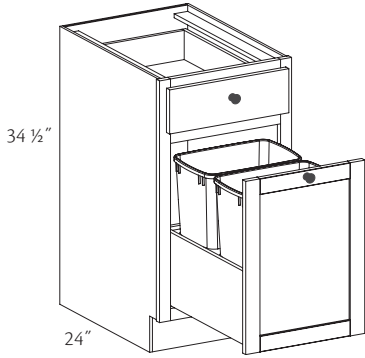
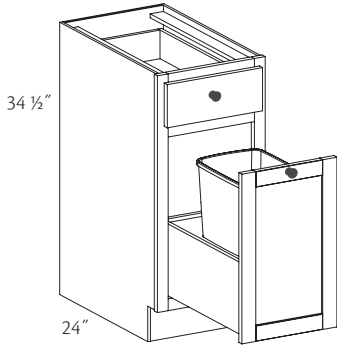
**Base Wastebasket**

*One wastebasket*

**BWBT15**

*Two wastebaskets*

**BWBT18**



- Top drawer is standard construction; deep bottom drawer is solid wood dovetail construction with an 8 5/8" interior height
- Door is attached to wastebasket drawer box assembly using 4" brackets and is pulled open to access basket(s)
- Deep bottom drawer includes a plywood deck with cut-outs for the wastebasket(s); deck holds wastebasket(s) in place and allows for easy removal for emptying and cleaning
- Deep drawer box slides on soft-close full-extension glides
- 32 qt. basket size is 9 5/16" x 13 3/4" x 17 3/4"

|   |     |     |
|---|-----|-----|
| ◇ | SSS | HDS |
| ● | SDS | FDS |
| ● | ADU | FT  |
|   | 12  | ST  |
|   | 15  | CFO |
|   | 18  | CSO |
|   | 21  | FRM |

# Base Sink and Appliance Cabinets

## Construction Options and Modifications

- ❖ Included as standard
- Available with an upcharge
- ☆ Available with exceptions
- (Blank) **Not** available

|     |  |
|-----|--|
| SSS | Standard Construction                          |
| SDS | Standard Construction with Dovetail Drawers    |
| ADU | All Plywood Construction with Dovetail Drawers |
| 12  | Depth Modification                             |
| 15  | Depth Modification                             |

|     |                    |
|-----|--------------------|
| 18  | Depth Modification |
| 21  | Depth Modification |
| CFO | Cabinet Front Only |
| CSO | Case Only          |
| FRM | Frame Only         |

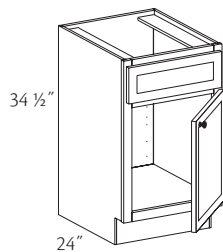
## Base Sink and Appliance Cabinet Information

Cabinets with a "B" suffix have BUTT doors without a center stile.

Material dimensions may vary slightly based on lumber industry standards. Specifications subject to change without notice.

**Note:** Cabinets ordered with ADU construction option will be supplied with unfinished exterior end panel. Base end panel is required to finish exposed end of cabinet run

### Sink Base Single Door

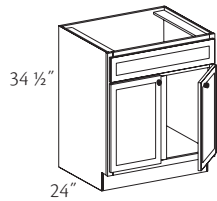


- SB12 R or L
- SB15 R or L
- SB18 R or L
- SB21 R or L
- SB24 R or L

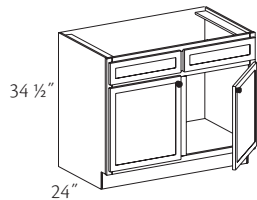
- Specify R or L for door hinging
- No shelf
- One full-width false drawer front
- Back panel is pre-drilled for accessory Base Tray Kits; only available on 21" and 24" deep cabinets

|       |       |
|-------|-------|
| ❖ SSS | ● 18  |
| ❖ SDS | ● 21  |
| ● ADU | ● CFO |
| ● 12  | ● CSO |
| ● 15  | ● FRM |

### Sink Base Double Door



- One drawer front*
- SB24D
  - SB27B
  - SB30
  - SB30B
  - SB33
  - SB36
  - SB36B
  - SB39



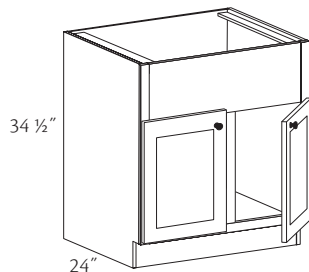
- Two drawer fronts*
- SB42
  - SB45
  - SB48

- No shelf
- False drawer front(s)
- Back panel is pre-drilled for accessory Base Tray Kits; only available on 21" and 24" deep cabinets

|       |       |
|-------|-------|
| ❖ SSS | ● 18  |
| ❖ SDS | ● 21  |
| ● ADU | ● CFO |
| ● 12  | ● CSO |
| ● 15  | ● FRM |

### Deep Sink Base

#### DSB36



- No shelf
- Designed for use with "farm/ farm house" style sinks
- Trimmable face frame rail across top
- Face frame center stile included on all widths to provide extra sink support
- Back panel is pre-drilled for optional accessory Tray Kits

|       |       |
|-------|-------|
| ❖ SSS | ● 18  |
| ❖ SDS | ● 21  |
| ● ADU | ● CFO |
| ● 12  | ● CSO |
| ● 15  | ● FRM |

#### Maximum Trimmable Opening Sizes

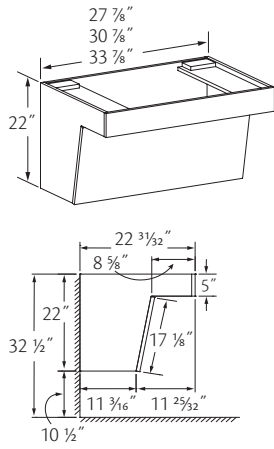
| Cabinet | Max Width | Max Height |
|---------|-----------|------------|
| DSB36   | 31 1/2"   | 9 1/2"     |



Be sure to follow sink manufacturer specifications and instructions to ensure proper fit. Make sure to choose a cabinet that is at least 4 1/2" wider than the outside sink dimensions

### Base Floating Plumbing Skirt

**BFPS30**  
**BFPS33**  
**BFPS36**



- ☆ Cabinet components other than the frame are constructed of plywood
- ☆ Regardless of construction option, model is constructed the same

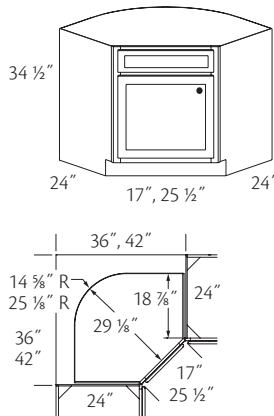
|       |     |
|-------|-----|
| ☆ SSS | 18  |
| ☆ SDS | 21  |
| ☆ ADU | CFO |
|       | 12  |
|       | 15  |
|       | FRM |



Warning: Floating plumbing unit must be securely attached to wall studs

### Sink Base Angle

**SBA36 R or L**  
**SBA42 R or L**



- Specify R or L for door hinging
- One full-width false drawer front above door
- Full overlay door and false drawer front are similar in width to partial overlay cabinets in order to avoid interference with adjacent cabinet doors. This exposes more of the cabinet face frame
- Field cut top panel to receive sink
- Use Base End Panel Filler if end is exposed (requires 3" of space)
- 29 1/4" min. doorway clearance required for delivery with cabinet door removed
- Adjacent cabinets can be installed directly without fillers
- **Note:** Back panel (barrel) will **not** be plywood when ADU is ordered

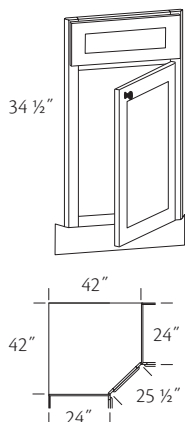
|       |       |
|-------|-------|
| ◇ SSS | 18    |
| ◇ SDS | 21    |
| ● ADU | ● CFO |
|       | 12    |
|       | 15    |
|       | ● FRM |



Caution: If cabinet is installed next to an appliance deeper than 25", it may interfere with the cabinet door opening. Options available: A) Use a filler between cabinet and appliance, B) Pull cabinet even with appliance front, which will result in a deeper countertop and overall base cabinet depth dimension

### Sink Front Angle

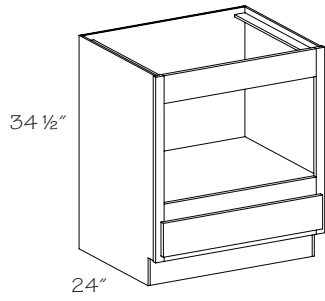
**SFA42 R or L**



- Specify R or L for door hinging
- One full-width false drawer front above door
- Full overlay door and false drawer front are similar in width to partial overlay cabinets in order to avoid interference with adjacent cabinet doors. This exposes more of the cabinet face frame
- Toe Kick Backer assembly included; shipped unattached
- Bottom panel **not** included; order Sink Front Diagonal Bottom (SFDB4242) separately
- **Must** be installed between two cabinets

|       |       |
|-------|-------|
| ◇ SSS | 18    |
| ◇ SDS | 21    |
| ● ADU | ● CFO |
|       | 12    |
|       | 15    |
|       | FRM   |

**Base Trimmable Microwave Cabinet  
BTMC30**



- Matching interior
- 1/2" thick fixed shelf; top surface is 3/16" below top edge of face frame rail
- Standard height drawer
- Designed for countertop style microwaves
- Minimum opening size: 27" W x 16 1/4" H with a maximum trimmable opening size: 27" W x 19 3/4" H

|   |     |     |
|---|-----|-----|
| ◇ | SSS | 18  |
| ● | SDS | 21  |
| ● | ADU | CFO |
|   | 12  | CSO |
|   | 15  | FRM |

# Base Corner Cabinets

## Construction Options and Modifications

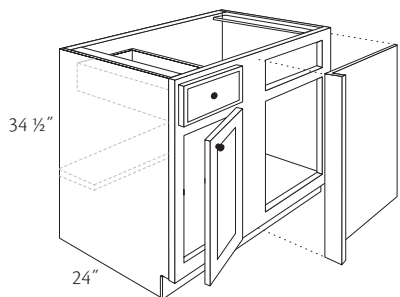
- ❖ Included as standard
- Available with an upcharge
- ☆ Available with exceptions

(Blank) **Not** available

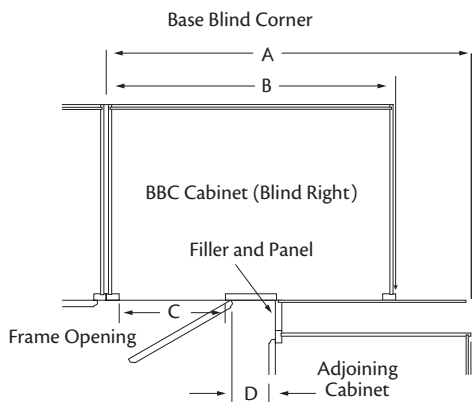
- SSS Standard Construction
- SDS Standard Construction with Dovetail Drawers
- ADU All Plywood Construction with Dovetail Drawers
- 12 Depth Modification
- 15 Depth Modification
- 18 Depth Modification

- 21 Depth Modification
- HDS Half Depth Shelf
- CFO Cabinet Front Only
- CSO Case Only
- FRM Frame Only

### Base Blind Corner Cabinet Information



Base Blind Corner Cabinet Blind Right (BR) shown



- Base blind corner cabinets provide access to corner space and permit adjusting up to 2 7/8" max. to aid in kitchen layout. Consult chart for pull dimensions and min. wall space requirements
- Pulling the cabinet away from the corner (adding up to 2 7/8" max. to the void area), and using the supplied filler and panel, provides clearance for opening doors and drawers when hardware is used
- BR or BL indicates blind end of cabinet. Please specify
- Door hinged on same side as blind
- Order blind side left or right; unable to convert in field
- Pull Full overlay products the max. 2 7/8" for proper hardware clearance for drawer and Roll-Out Tray of adjoining cabinet
- **Note:** A blind panel with 3" filler is included with each BBC cabinet; shipped unattached
- **Note:** Cabinets ordered with ADU construction option will be supplied with unfinished exterior end panel. Base end panel is required to finish exposed end of cabinet run

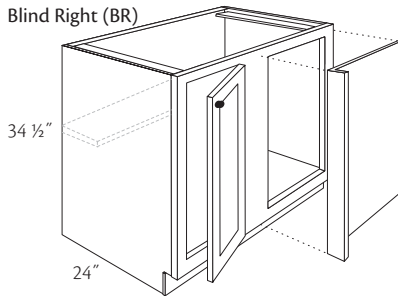
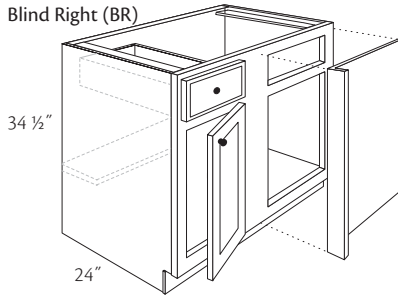
#### Partial Overlay

| Base Blind Corner | (A) Wall Space |          | (B) Cabinet Width | (C) Frame Opening |                     | (D) Door Hardware Clearance |          |
|-------------------|----------------|----------|-------------------|-------------------|---------------------|-----------------------------|----------|
|                   | No Pull        | Max Pull |                   | Drawer Opening    | Door Opening        | No Pull                     | Max Pull |
| BBC36/39          | 36"            | 38 7/8"  | 24"               | 5"h x 7 1/2"w     | 7 1/2"w x 20 1/2"h  | 1 1/2"                      | 4 3/8"   |
| BBC39/42          | 39"            | 41 7/8"  | 30"               | 5"h x 10 1/2"w    | 10 1/2"w x 20 1/2"h | 1 1/2"                      | 4 3/8"   |
| BBC42/45          | 42"            | 44 7/8"  | 36"               | 5"h x 13 1/2"w    | 13 1/2"w x 20 1/2"h | 1 1/2"                      | 4 3/8"   |
| BBC45/48          | 45"            | 47 7/8"  | 42"               | 5"h x 16 1/2"w    | 16 1/2"w x 20 1/2"h | 1 1/2"                      | 4 3/8"   |
| BBC48/51          | 48"            | 50 7/8"  | 48"               | 5"h x 19 1/2"w    | 19 1/2"w x 20 1/2"h | 1 1/2"                      | 4 3/8"   |

#### Full Overlay

|          |     |         |     |                |                     |        |          |
|----------|-----|---------|-----|----------------|---------------------|--------|----------|
| BBC36/39 | 36" | 38 7/8" | 24" | 5"h x 7 1/2"w  | 7 1/2"w x 20 1/2"h  | 13/16" | 3 11/16" |
| BBC39/42 | 39" | 41 7/8" | 30" | 5"h x 10 1/2"w | 10 1/2"w x 20 1/2"h | 13/16" | 3 11/16" |
| BBC42/45 | 42" | 44 7/8" | 36" | 5"h x 13 1/2"w | 13 1/2"w x 20 1/2"h | 13/16" | 3 11/16" |
| BBC45/48 | 45" | 47 7/8" | 42" | 5"h x 16 1/2"w | 16 1/2"w x 20 1/2"h | 13/16" | 3 11/16" |
| BBC48/51 | 48" | 50 7/8" | 48" | 5"h x 19 1/2"w | 19 1/2"w x 20 1/2"h | 13/16" | 3 11/16" |

### Base Blind Corner



**BBC39/42 BR or BLHDS**  
**BBC42/45 BR or BLHDS**  
**BBC45/48 BR or BLHDS**  
**BBC48/51 BR or BLHDS**

Full height door

■ **BBC36/39FH BR or BLHDS**

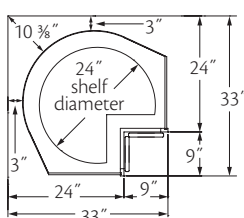
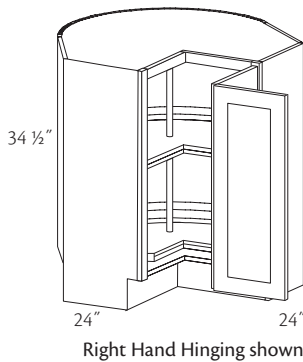
■ SDS is standard

- Specify BR or BL; BR or BL indicates blind
- Standard height top drawer, except BBC36/39FH which does **not** have a drawer
- Door hinged to center stile
- **Note:** Blind Panel with 3" filler included; shipped unattached
- Cabinet is unable to be pulled more than 2 7/8". This is **not** the space from the wall to the cabinet. This varies depending on cabinet size
- ☆ **Note:** When depth is reduced to 12" or 15", drawers become false fronts
- Back panel is pre-drilled for accessory Base Tray Kits; only available on 21" and 24" deep cabinets
- One full-width half-depth adjustable shelf

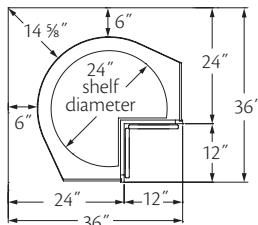
|       |       |
|-------|-------|
| ◇ SSS | ● 21  |
| ☆ SDS | ◇ HDS |
| ● ADU | ● CFO |
| ☆ 12  | ● CSO |
| ☆ 15  | ● FRM |
| ● 18  |       |

### Base Corner Revolving Builder

**BCRB33 R or L**  
**BCRB36 R or L**



**BCRB33**



**BCRB36**

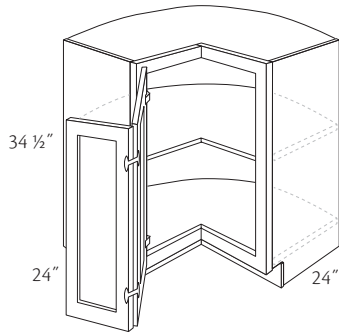
- Specify R or L for door hinging
- Two 24" diameter high impact, pie-cut revolving white plastic shelves
- Shelves rotate independently of doors and each other
- Shelf load rating of 15 lbs. per square foot, unable to exceed 50 lbs.
- Shelf height unable to be adjusted
- Two piece bi-fold door with independent adjustment
- Use Base End Panel Filler if end is exposed (requires 3" of space)
- 168° opening hinges on face frame door
- Hinging is **not** invertible in the field
- SoftAction hinges are unavailable
- **Note:** Back panel (barrel) will **not** be plywood when ADU is ordered

|       |       |
|-------|-------|
| ◇ SSS | ● 21  |
| ◇ SDS | ◇ HDS |
| ● ADU | ● CFO |
| ☆ 12  | ● CSO |
| ☆ 15  | ● FRM |
| ● 18  |       |

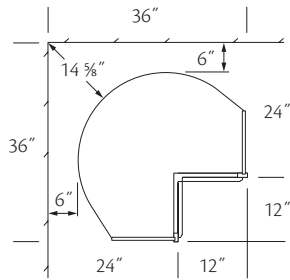


Caution: If cabinet is installed next to an appliance deeper than 25", it may interfere with the cabinet door opening. Options available: A) Use a filler between cabinet and appliance, B) Pull cabinet even with appliance front, which will result in a deeper countertop and overall base cabinet depth dimension

**Base Corner Fixed Shelf  
BCFS36 R or L**



Left Hand Hinging shown



- Specify R or L for door hinging
- One pie-cut shelf, fixed in center position
- Two piece bi-fold door with independent adjustment
- 168° opening hinges on face frame door
- Full overlay door style face frame stiles are notched to accept door hinges. Door hinging unable to be inverted in field
- Use Base End Panel Filler if end is exposed (requires 3" of space)
- SoftAction hinges are unavailable
- **Note:** Back panel (barrel) will **not** be plywood when ADU is ordered

|       |       |
|-------|-------|
| ◇ SSS | 21    |
| ◇ SDS | HDS   |
| ● ADU | ● CFO |
| 12    | ● CSO |
| 15    | FRM   |
| 18    |       |

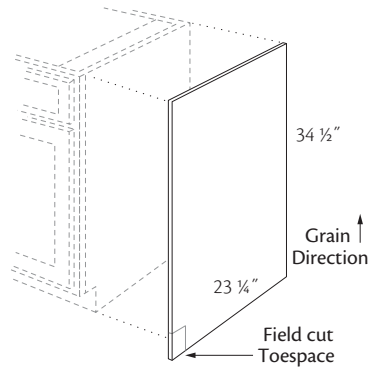


Caution: If cabinet is installed next to an appliance deeper than 25", it may interfere with the cabinet door opening. Options available: A) Use a filler between cabinet and appliance, B) Pull cabinet even with appliance front, which will result in a deeper countertop and overall base cabinet depth dimension

## Construction Options and Modifications

- ❖ Included as standard
  - Available with an upcharge
  - ☆ Available with exceptions
- (Blank) **Not** available

### Base End Panel



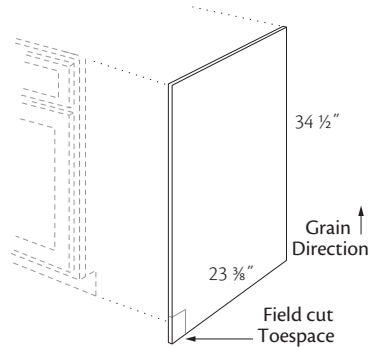
- Veneer
  - **BEP34**
  - **BEP34-10**
- Paper Laminate
  - **BEP34P**
  - **BEP34P-10**
- Painted and laminate finishes are painted veneer

- Used to trim exposed end of base cabinet
- For right or left hand use
- Veneer: 3/16" thick panel, finished on one side; grain runs lengthwise
- Laminate: 1/8" thick panel, laminate on front side, back side unfinished
- Toe space notch is field cut
- Trimmed to fit installation
- Offered individually or 10 per carton

❖ BR ❖ LM

### Sink Front End Panel

#### SFEP

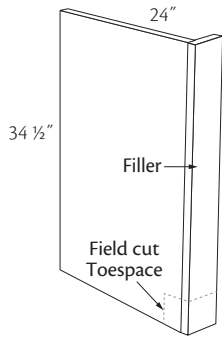


- Use with (CFO) sink base on end of run
- 3/8" thick engineered wood, laminated both sides (SSS, SDS)
- 1/2" thick plywood, laminated both sides (ADU)
- Matching laminate on front side and natural wood grain laminate on back side
- Toe space notch is field cut
- Trimmable
- Edge band on front edges

❖ BR ❖ LM

## Construction Options and Modifications

- ❖ Included as standard
  - Available with an upcharge
  - ☆ Available with exceptions
- (Blank) **Not** available



### Base End Panel Filler

**BEPF3**  
**BEPF6**

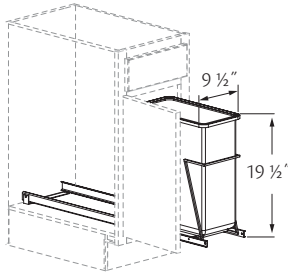
- Used on the end of cabinet run to conceal dishwasher or cap end of BCFS/BCR cabinets
- 3/8" thick engineered wood, laminated both sides (SSS, SDS)
- 1/2" thick plywood, laminated both sides (ADU)
- Matching laminate on front side and natural wood grain laminate on back side
- For right or left hand use
- Toe space notch is field cut
- Painted hardwood supplied for painted and laminate finishes

❖ BR ❖ LM

## Construction Options and Modifications

- ❖ Included as standard
  - Available with an upcharge
  - ☆ Available with exceptions
- (Blank) **Not** available

### Base Wastebasket Floor Mount Kit Single BWBFMK

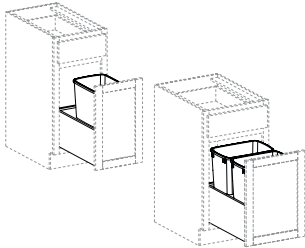


- White epoxy coated wire
- Fits base cabinets 15" or wider
- Includes 30 qt. white plastic bin
- 3/4 extension roll-out assembly mounts to floor of cabinet
- Installation instructions and mounting hardware included

BR LM

### Base Wastebasket Kit

One wastebasket  
**BWBTK15**  
Two wastebaskets  
**BWBTK18**

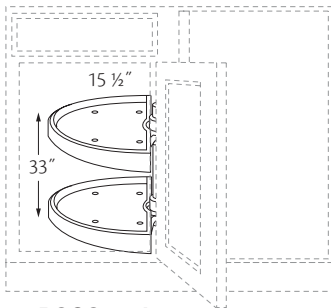


- Uses door from existing cabinet
- Door attaches to wastebasket drawer box assembly using 4" brackets and is pulled open to access basket(s)
- Deep bottom drawer includes a plywood deck with cut-outs for the wastebasket(s); deck holds wastebasket(s) in place and allows for easy removal for emptying and cleaning
- Deep drawer box slides on soft-close full-extension glides
- 32 qt. wastebasket size is 9 5/16" x 13 3/4" x 17 3/4"
- Installation instructions and mounting hardware included

BR LM

### Base Swing-Out Shelves

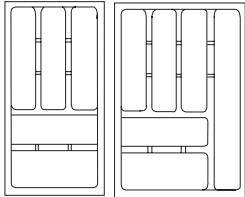
**BSOS42**  
**BSOS45**



**BSOS45 shown**

- For use in Base Blind Corner Cabinets
- May be installed for right or left blind application
- Two high-impact white plastic half-moon swing-out shelves
- BSOS42 shelves support up to 38 lbs. and is 31 9/16" x 12 1/2"
- BSOS45 shelves support up to 45 lbs. and is 33" x 15 1/2"
- Bottom shelf pulls out for easy access
- Fixed height shelves attach to center post (included) and rotate independently to 90°
- BSOS42 requires 13 1/4" min. cabinet opening (BBC42/45)
- BSOS45 requires 16 1/16" min. cabinet opening (BBC45/48 and BBC48/51)
- Installation instructions and mounting hardware included

BR LM

**Cutlery Drawer Insert**

CDI15

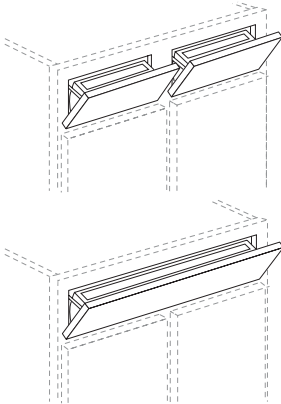
CDI18

**CDI15**  
**CDI18**

- White polymer one piece trays
- CDI15 fits B15 and BD15-3D
- CDI18 fits B18 and BD18-3D

BR

LM

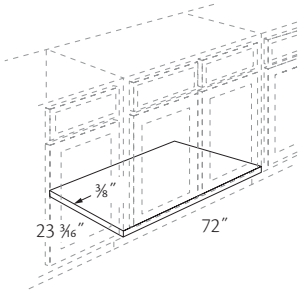
**Utility Tray Kit**

**UTK15**  
**UTK15-10**  
**UTK27**  
**UTK27-10**

- Removable high-impact white plastic tray installs on backside of drawer front for convenient out-of-sight storage of small items, soap, scouring pads, etc.
- UTK15 includes two 11" wide trays for use in cabinets 15" to 24" and 42" to 48" wide
- UTK27 includes one 22" wide tray for use in cabinets 27" to 39" wide
- Concealed self-closing hinges allow drawer front to tilt down 51° for tray access
- Hinge detent holds drawer front in full open position
- Order decorative hardware separately
- Installation instructions and mounting hardware included
- Offered individually or 10 per carton

BR

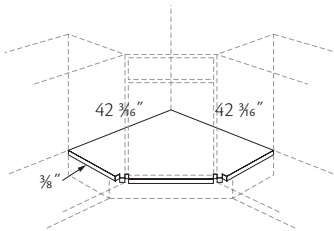
LM

**Sink Front Bottom****SFB2372**

- Designed to be used as an optional cabinet bottom for cabinets ordered with (CFO)
- Field trim to length required
- Easy to clean natural wood grain laminate on one side; backside unfinished
- 3/8" thick engineered wood core for (SSS, SDS)
- 3/8" thick plywood core (ADU)
- Installation screws included

BR

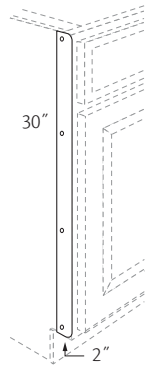
LM

**Sink Front Diagonal Bottom****SFDB4242**

- Designed to be used as an optional cabinet bottom with SFA42 sink front
- Fits SFA42 without field trimming
- 42 3/16" x 42 3/16"
- Easy to clean natural wood grain laminate on one side; backside unfinished
- 3/8" thick engineered wood core for (SSS, SDS)
- 3/8" thick plywood core (ADU)
- Installation screws included

BR

LM



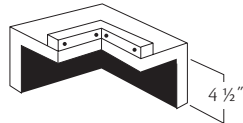
**Heat Shield**  
**HSD**

- 1/16" thick
- Two clear acrylic heat shields with installation screws
- Recommended to shield laminate door styles from adjacent oven heat

BR LM



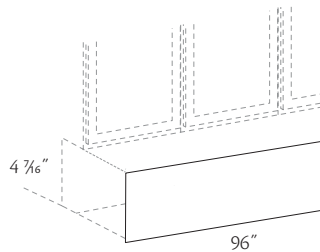
Remember, when ordering laminate doors, to order a Heat Shield(s) (HSD) to apply to the base cabinet(s) adjacent to the oven.



**Corner Filler Toe Kick**  
**CFTK3**

- Use in 90° corners to fill the toe space opening created by using the Wall Filler Corner
- Order Wall Filler Corner separately

BR LM



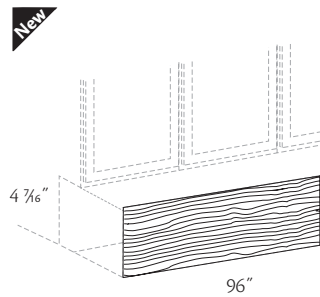
**Toe Kick Cover - Laminate**

8' Length  
**TKCL8**  
**TKCL8-25**

1/8" thick MDF -  
medium density fiberboard

- Matching easy clean laminate on one side
- Grain direction runs lengthwise (when applicable)
- Offered individually or 25 per carton

BR LM



**Toe Kick Cover - Veneer**

5/32" Thick  
**TKCV8**  
**TKCV8-25**

*Grey color coding indicates new product, size or code.*

- Matching wood veneer plywood finished on one side for stain finishes, grain direction runs lengthwise
- Medium Density Fiberboard (MDF) with easy clean laminate on one side for paint and laminate finishes
- Offered individually or 25 per carton

BR LM

**Notes**

# Tall Cabinets

## Construction Options and Modifications

- ❖ Included as standard
- Available with an upcharge
- ☆ Available with exceptions
- (Blank) **Not** available

|     |  |     |                    |
|-----|--|-----|--------------------|
| SSS | Standard Construction                          | 18  | Depth Modification |
| SDS | Standard Construction with Dovetail Drawers    | 21  | Depth Modification |
| ADU | All Plywood Construction with Dovetail Drawers | CFO | Cabinet Front Only |
| 09  | Depth Modification                             | CSO | Case Only          |
| 15  | Depth Modification                             | FRM | Frame Only         |

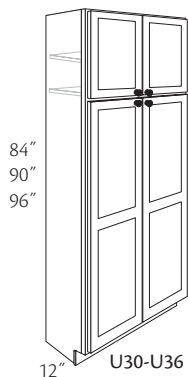
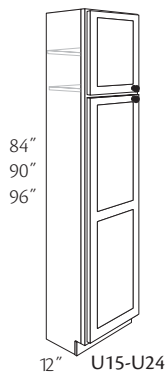
## Tall Cabinet Information

Cabinets with a "B" suffix have BUTT doors without a center stile.

Material dimensions may vary slightly based on lumber industry standards. Specifications subject to change without notice.

**Note:** Cabinets ordered with ADU construction option will be supplied with unfinished exterior end panel. Tall end panel is required to finish exposed end of cabinet run

### Tall Utility Cabinet 12" Deep



*No shelf*  
 84" High  
**U1584 R or L**  
**U1884 R or L**  
**U2484 R or L**  
**U3084**  
**U3084B**  
**U3684**  
**U3684B**

*One shelf*  
 90" High  
**U1590 R or L**  
**U1890 R or L**  
**U2490 R or L**  
**U3090**  
**U3090B**  
**U3690**  
**U3690B**

*Two shelves*  
 96" High  
**U1596 R or L**  
**+ U1896 R or L**  
**U2496 R or L**  
**U3096**  
**+ U3096B**  
**+ U3696**  
**+ U3696B**

✦ Top door size available with Accessory Hinged Prep for Glass Door, in select door styles only

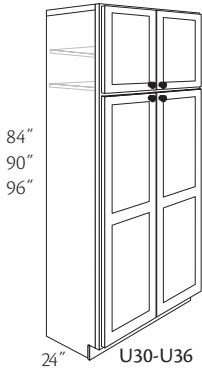
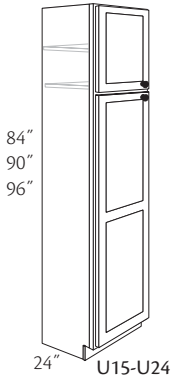
- Specify R or L for door hinging
- Fixed shelf between top and bottom section with adjustable shelves in top section
- 30" and 36" wide cabinets have a 3" wide center stile in top and bottom section; BUTT doors only have the center stile in the top
- Interior height of tall section on 84" and 96" tall cabinets is 60 15/16"; 90" tall is 61 7/16"
- 96" high cabinets include toe kick platform shipped unattached for easier handling and installation
- Toe kick cover required on exposed sides of toe kick platform
- End panels of bottom section are pre-drilled for optional shelves
- Tall doors are two-piece panel construction, except McDurmon, which has a single recessed panel
- Accessory Hinged Prep for Glass Door is available in select door styles and sizes. For more information, see the Replacement Parts > Replacement Hardware section
- Unless ordered as a Case Only (CSO), cabinets intending to receive Prep for Glass (PG) doors will ship with original, non-glass doors. If original non-glass doors are **not** required, cabinets should be ordered as Case Only (CSO) with the appropriate Prep for Glass (PG) size to be installed in the field

|   |     |       |
|---|-----|-------|
| ❖ | SSS | 18    |
| ❖ | SDS | 21    |
| ● | ADU | ● CFO |
| ● | 09  | ● CSO |
|   | 15  | ● FRM |



If ordering a 96" high unit, consider ordering a tall end panel to flush out the exposed side

## Tall Utility Cabinet 24" Deep



## 84" High

**U158424 R or L**  
**U188424 R or L**  
**U248424 R or L**  
**U308424**  
**U308424B**  
**U368424**  
**U368424B**

## 90" High

**U159024 R or L**  
**U189024 R or L**  
**U249024 R or L**  
**U309024**  
**U309024B**  
**U369024**  
**U369024B**

## 96" High

**+ U159624 R or L**  
**+ U189624 R or L**  
**+ U249624 R or L**  
**+ U309624**  
**+ U309624B**  
**+ U369624**  
**+ U369624B**

✦ Top door size available with Accessory Hinged Prep for Glass Door, in select door styles only

|       |       |
|-------|-------|
| ✦ SSS | ● 18  |
| ✦ SDS | ● 21  |
| ● ADU | ● CFO |
| 09    | ● CSO |
| ● 15  | ● FRM |

- Specify R or L for door hinging
- Fixed shelf between top and bottom section with adjustable shelves in top section
- 30" and 36" wide cabinets have a 3" wide center stile in top and bottom section; BUTT doors only have the center stile in the top
- Interior height of tall section on 84" and 96" tall cabinets is 60 15/16"; 90" tall is 61 7/16"
- 96" high cabinets include toe kick platform shipped unattached for easier handling and installation
- Toe kick cover required on exposed sides of toe kick platform
- Bottom section is pre-drilled for optional shelves and Roll-Out Trays
- 15"-24" wide cabinets use pre-drilled holes in end panels for Roll-Out Tray mounting
- 30" and 36" wide cabinets have pre-drilled back panels providing easy installation of (5) equally spaced Roll-Out Trays behind each tall door; maximum of 10 trays per cabinet
- Tall doors are two-piece panel construction, except McDurmon, which has a single recessed panel
- ☆ Accessory Roll-Out Trays unavailable when cabinet is reduced to 15" or 18" depth
- Accessory Hinged Prep for Glass Door is available in select door styles and sizes. For more information, see the Replacement Parts > Replacement Hardware section
- Unless ordered as a Case Only (CSO), cabinets intending to receive Prep for Glass (PG) doors will ship with original, non-glass doors. If original non-glass doors are **not** required, cabinets should be ordered as Case Only (CSO) with the appropriate Prep for Glass (PG) size to be installed in the field



If ordering a 96" high unit, consider ordering a tall end panel to flush out the exposed side

# Tall Appliance Cabinets

## Construction Options and Modifications

- ❖ Included as standard
- Available with an upcharge
- ☆ Available with exceptions
- (Blank) **Not** available

|     |  |     |                    |
|-----|--|-----|--------------------|
| SSS | Standard Construction                          | 18  | Depth Modification |
| SDS | Standard Construction with Dovetail Drawers    | 21  | Depth Modification |
| ADU | All Plywood Construction with Dovetail Drawers | CFO | Cabinet Front Only |
| 09  | Depth Modification                             | CSO | Case Only          |
| 15  | Depth Modification                             | FRM | Frame Only         |

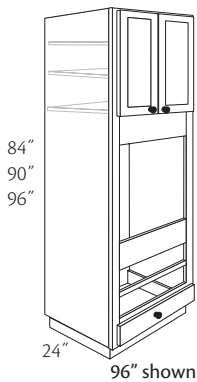
## Tall Appliance Cabinet Information

Cabinets with a "B" suffix have BUTT doors without a center stile.

Material dimensions may vary slightly based on lumber industry standards. Specifications subject to change without notice.

**Note:** Cabinets ordered with ADU construction option will be supplied with unfinished exterior end panel. Tall end panel is required to finish exposed end of cabinet run

## Oven Cabinet Universal



No shelf  
84" High  
**OCU3084**  
**OCU3084B**  
**OCU3384**

One shelf  
90" High  
**OCU3090**  
**OCU3090B**  
**OCU3390**

Two shelves  
96" High  
**+ OCU3096**  
**+ OCU3096B**  
**+ OCU3396**

**+ Top door size available with Accessory Hinged Prep for Glass Door, in select door styles only**

- Fixed shelf between top and bottom section with adjustable shelves in top section
- Three full-width drawer openings at bottom
- 3" wide trimmable vertical stiles provide oven opening width adjustment
- Includes one full-width drawer; order additional Oven Drawer Kits (ODK) as needed
- Face-mounted door hinges provide matching frame reveals
- Center section accommodates single and double ovens by trimming or removing horizontal cross rails
- Face frame rails are attached to stiles with screws on the back side for easy removal
- 96" high cabinets include toe kick platform shipped unattached for easier handling and installation
- Toe kick cover required on exposed sides of toe kick platform
- Includes adjustable 1" thick engineered wood oven platform with heavy-duty mounting brackets and screws that install into pre-drilled end panel holes. Order additional support platform kits (OCSP) as needed. 1" thick plywood platform for ADU
- See Cabinet Specifications and Options for oven cutout dimensions
- Accessory Hinged Prep for Glass Door is available in select door styles and sizes. For more information, see the Replacement Parts > Replacement Hardware section
- Unless ordered as a Case Only (CSO), cabinets intending to receive Prep for Glass (PG) doors will ship with original, non-glass doors. If original non-glass doors are **not** required, cabinets should be ordered as Case Only (CSO) with the appropriate Prep for Glass (PG) size to be installed in the field

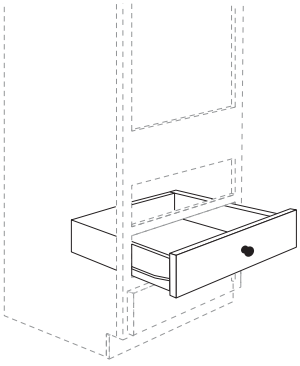
|   |     |       |
|---|-----|-------|
| ❖ | SSS | 18    |
| ● | SDS | 21    |
| ● | ADU | ● CFO |
|   | 09  | ● CSO |
|   | 15  | ● FRM |



If ordering a 96" high unit, consider ordering a tall end panel to flush out the exposed side

Oven Drawer Kit

ODK30  
ODK33



- For use with Oven Cabinet Universal (OCU) cabinets
- Available with solid wood dovetail drawer core with under-mount drawer guides
- Kit includes: one drawer front, one drawer core, guides and all mounting hardware

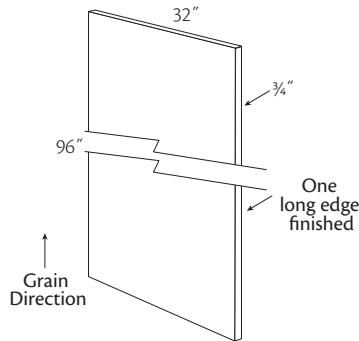
|   |     |     |
|---|-----|-----|
| + | SSS | 18  |
| ● | SDS | 21  |
| ● | ADU | CFO |
|   | 09  | CSO |
|   | 15  | FRM |

## Construction Options and Modifications

- ❖ Included as standard
  - Available with an upcharge
  - ☆ Available with exceptions
- (Blank) **Not** available

### Refrigerator End Panel

**REP3296**

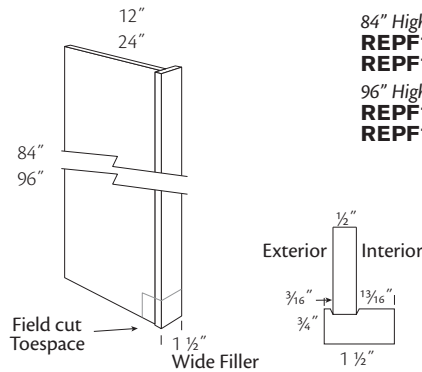


- 3/4" thick plywood wood core with vertical grain veneer on both sides; edge banded on one long side
- Use next to refrigerator to conceal side, also supports 24" deep wall cabinet over refrigerator
- Painted and laminate finishes are painted veneer

❖ BR ❖ LM

### Refrigerator End Panel w/Attached Filler

84" High  
**REPF1-5-1284**  
**REPF1-5-2484**  
96" High  
**REPF1-5-1296**  
**REPF1-5-2496**

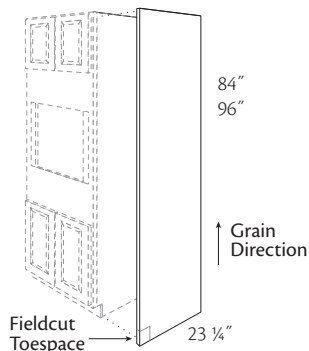


- Use next to refrigerator to conceal side, also supports 24" deep wall cabinet over refrigerator
- 1 1/2" solid wood filler attached to panel
- 1/2" thick engineered wood panel (SSS, SDS) laminated both sides
- 1/2" thick plywood panel (ADU) laminated both sides
- Matching laminate on exterior side and natural wood grain laminate on interior side
- Painted and laminate finishes have a painted hardwood filler

❖ BR ❖ LM

### Tall End Panel

84" Veneer  
■ **TEP84**  
■ **TEP84-2**  
96"  
■ **TEP96**  
■ **TEP96-2**  
84" Paper Laminate  
**TEP84P**  
**TEP84P-2**  
96"  
**TEP96P**  
**TEP96P-2**



- Painted and laminate finishes are painted veneer

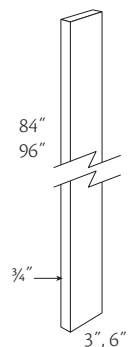
- Used to trim exposed end of tall cabinet
- Can also be used as decorative panel on doors of side by side refrigerator where trim kits from the refrigerator manufacturer are available
- For right or left hand use
- Veneer: 3/16" thick panel, finished on one side; grain runs lengthwise
- Laminate: 1/8" thick panel, laminate on front side, back side unfinished
- Toe space notch is field cut
- Trimmed to fit installation
- Offered individually or two per carton

❖ BR ❖ LM

## Construction Options and Modifications

- ❖ Included as standard
  - Available with an upcharge
  - ☆ Available with exceptions
- (Blank) **Not** available

### Tall Filler



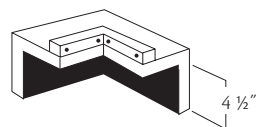
84" High  
**TF3-84**  
**TF6-84**  
 96" High  
**TF3-96**  
**TF6-96**

- 3/4" thick solid wood
- Painted hardwood supplied for painted and laminate finishes
- Finished on face surface only

❖ BR ❖ LM

### Corner Filler Toe Kick

**CFTK3**



- Use in 90° corners to fill the toe space opening created by using the Wall Filler Corner
- Order Wall Filler Corner separately

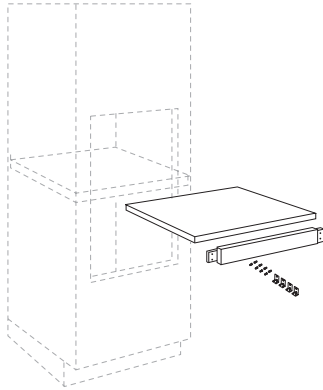
BR LM

## Construction Options and Modifications

- ❖ Included as standard
  - Available with an upcharge
  - ☆ Available with exceptions
- (Blank) **Not** available

### Double Oven Cabinet Kit

**DOCK30**  
**DOCK33**

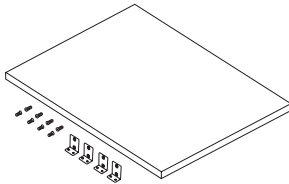


- Designed to provide additional support for a combination microwave oven and built-in oven installation
- Includes one Oven Cabinet Support Platform to support the microwave oven. This includes an engineered wood platform for SSS and SDS and a plywood platform for ADU and mounting hardware which install into pre-drilled cabinet end panel holes
- Includes a field installed 3" wide face frame rail to divide the two openings. Installation cleat attached. Divider Rail Sizes: DOCK30 - 3/4" x 3" x 24" long DOCK33 - 3/4" x 3" x 27" long
- Specify wood species and finish for divider rail

❖ BR ❖ LM

### Oven Cabinet Support Platform

**OCSP30**  
**OCSP33**



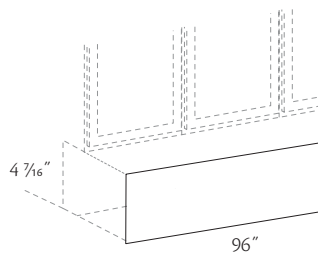
| Oven Cabinet Support Platform |         |          |
|-------------------------------|---------|----------|
| Cabinet                       | Width   | Depth    |
| <b>OCSP30</b>                 | 28 1/4" | 22 7/16" |
| <b>OCSP33</b>                 | 31 1/4" | 22 7/16" |

- For installing second appliance in Oven Cabinet Universal cabinet
- 1" thick engineered wood unfinished on all surfaces for SSS and SDS
- 1" thick plywood platform with natural wood grain laminate on both sides for ADU
- Includes four heavy-duty metal mounting brackets and eight screws which install into pre-drilled cabinet end panel holes

BR LM

### Toe Kick Cover - Laminate

8' Length  
**TKCL8**  
**TKCL8-25**

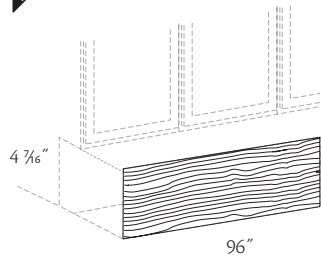


1/8" thick MDF  
medium density fiberboard

- Matching easy clean laminate on one side
- Grain direction runs lengthwise (when applicable)
- Offered individually or 25 per carton

❖ BR ❖ LM

New



### Toe Kick Cover - Veneer

5/32" Thick  
TKCV8  
TKCV8-25

Grey color coding indicates new product, size or code.

- Matching wood veneer plywood finished on one side for stain finishes, grain direction runs lengthwise
- Medium Density Fiberboard (MDF) with easy clean laminate on one side for paint and laminate finishes
- Offered individually or 25 per carton

◆ BR ◆ LM

# Vanity Cabinets

|     |  |
|-----|--|
| SSS | Standard Construction                          |
| SDS | Standard Construction with Dovetail Drawers    |
| ADU | All Plywood Construction with Dovetail Drawers |
| 12  | Depth Modification                             |

|     |                    |
|-----|--------------------|
| 15  | Depth Modification |
| CFO | Cabinet Front Only |
| CSO | Case Only          |
| FRM | Frame Only         |

## Construction Options and Modifications

- ❖ Included as standard
- Available with an upcharge
- ☆ Available with exceptions
- (Blank) **Not** available

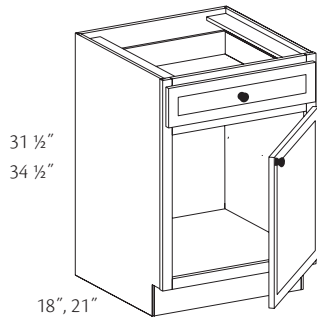
## Vanity Cabinet Information

Cabinets with a "B" suffix have BUTT doors without a center stile.

Material dimensions may vary slightly based on lumber industry standards. Specifications subject to change without notice.

**Note:** Cabinets ordered with ADU construction option will be supplied with unfinished exterior end panel. Vanity end panel is required to finish exposed end of cabinet run

## Vanity Base Single Door



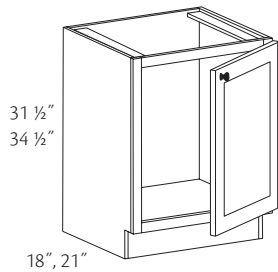
- |                   |               |
|-------------------|---------------|
| 18" Deep          | 21" Deep      |
| 31 1/2" High      | 31 1/2" High  |
| ☆ VB1218 R or L   | VB12 R or L   |
| ☆ VB1518 R or L   | VB15 R or L   |
| ☆ VB1818 R or L   | VB18 R or L   |
| ☆ VB2118 R or L   | VB21 R or L   |
| ☆ VB2418 R or L   | VB24 R or L   |
| 34 1/2" High      | 34 1/2" High  |
| ☆ VB123518 R or L | VB1235 R or L |
| ☆ VB153518 R or L | VB1535 R or L |
| ☆ VB183518 R or L | VB1835 R or L |
| ☆ VB213518 R or L | VB2135 R or L |
| ☆ VB243518 R or L | VB2435 R or L |

☆ Unavailable with depth modifications

- Specify R or L for door hinging
- No shelf
- Standard height top drawer
- Back is pre-drilled for optional bottom and mid-height accessory Vanity Tray Kits
- Vanity Tray Kits are only available on 21" deep Vanities
- ☆ **Note:** When depth is reduced to 12" or 15", drawers become false fronts

|       |       |
|-------|-------|
| ❖ SSS | ☆ 15  |
| ● SDS | ● CFO |
| ● ADU | ● CSO |
| ☆ 12  | ● FRM |

## Vanity Base Single Door Full-Height



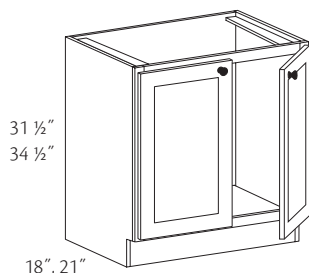
- |                     |
|---------------------|
| 18" Deep            |
| 31 1/2" High        |
| ☆ VB1518FH R or L   |
| ☆ VB1818FH R or L   |
| 34 1/2" High        |
| ☆ VB153518FH R or L |
| ☆ VB183518FH R or L |
| 21" Deep            |
| 31 1/2" High        |
| VB15FH R or L       |
| VB18FH R or L       |
| 34 1/2" High        |
| VB1535FH R or L     |
| VB1835FH R or L     |

☆ Unavailable with depth modifications

- Specify R or L for door hinging
- No shelf
- Back is pre-drilled for optional bottom and mid-height accessory Vanity Tray Kits
- Vanity Tray Kits are only available on 21" deep Vanities

|       |       |
|-------|-------|
| ❖ SSS | ☆ 15  |
| ● SDS | ● CFO |
| ● ADU | ● CSO |
| ☆ 12  | ● FRM |

## Vanity Base Double Door Full-Height



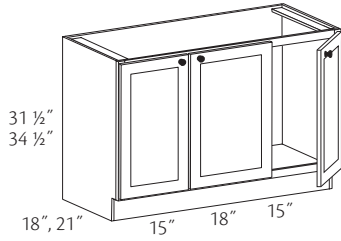
- |               |              |
|---------------|--------------|
| 18" Deep      | 21" Deep     |
| 31 1/2" High  | 31 1/2" High |
| ☆ VB3018BFH   | VB30FH       |
| ☆ VB3018BFH   | VB30BFH      |
| ☆ VB3618BFH   | VB36FH       |
| ☆ VB3618BFH   | VB36BFH      |
| 34 1/2" High  | 34 1/2" High |
| ☆ VB273518BFH | VB2735BFH    |
| ☆ VB303518BFH | VB3035FH     |
| ☆ VB303518BFH | VB3035BFH    |
| ☆ VB333518BFH | VB3335FH     |
| ☆ VB363518BFH | VB3635FH     |
| ☆ VB363518BFH | VB3635BFH    |
| ☆ VB393518BFH | VB3935FH     |

☆ Unavailable with depth modifications

- No shelf
- Back is pre-drilled for optional bottom and mid-height accessory Vanity Tray Kits
- Vanity Tray Kits are only available on 21" deep Vanities

|       |       |
|-------|-------|
| ❖ SSS | ☆ 15  |
| ❖ SDS | ● CFO |
| ● ADU | ● CSO |
| ☆ 12  | ● FRM |

### Vanity Base Three Door Full-Height



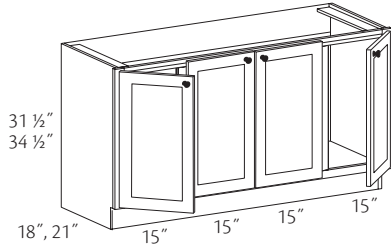
- 18" Deep
- 31 1/2" High
- ☆ **VB4818FH**
- 34 1/2" High
- ☆ **VB483518FH**
- 21" Deep
- 31 1/2" High
- VB48FH**
- 34 1/2" High
- VB4835FH**

☆ Unavailable with depth modifications

- Center door on 48" cabinets is 3" wider than outer doors
- Center door is hinged right
- Back is pre-drilled for optional bottom and mid-height accessory Vanity Tray Kits that fit behind outer doors.
- Vanity Tray Kits are only available on 21" deep Vanities

|       |       |
|-------|-------|
| ◇ SSS | ☆ 15  |
| ◇ SDS | ● CFO |
| ● ADU | ● CSO |
| ☆ 12  | ● FRM |

### Vanity Base Four Door Full-Height



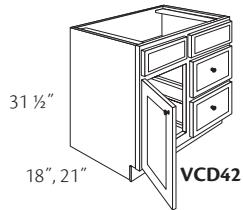
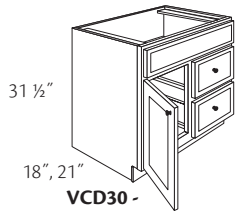
- 18" Deep
- 31 1/2" High
- ☆ **VBT6018FH**
- 34 1/2" High
- ☆ **VBT603518FH**
- 21" Deep
- 31 1/2" High
- VBT60FH**
- 34 1/2" High
- VBT6035FH**

☆ Unavailable with depth modifications

- Doors are equal size
- Doors left of center hinged left, doors right of center hinged right
- Full-width support cross rail across top front of cabinet
- Back is pre-drilled for optional bottom and mid-height accessory Vanity Tray Kits that fit behind outer doors.
- Tray Kits available for middle doors but back panel is **not** pre-drilled
- **Note:** Actual cabinet width is 60"
- Vanity Tray Kits are only available on 21" deep Vanities

|       |       |
|-------|-------|
| ◇ SSS | ☆ 15  |
| ◇ SDS | ● CFO |
| ● ADU | ● CSO |
| ☆ 12  | ● FRM |

### Vanity Combination Drawer Two Drawer



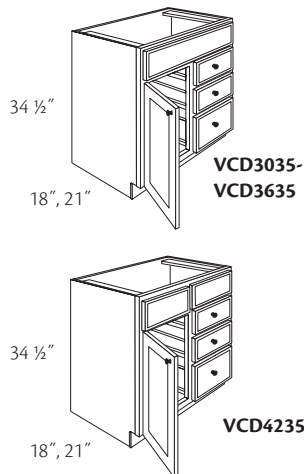
- 18" Deep
- 31 1/2" High
- ☆ **VCD3018 DR or DL**
- ☆ **VCD3318 DR or DL**
- ☆ **VCD3618 DR or DL**
- ☆ **VCD4218 DR or DL**
- 21" Deep
- 31 1/2" High
- VCD30 DR or DL**
- VCD33 DR or DL**
- VCD36 DR or DL**
- VCD42 DR or DL**

☆ Unavailable with depth modifications

- Specify DR (Drawer Right) or DL (Drawer Left) position for drawers
- No shelf
- One door and one full-width false drawer front above door and two deep bottom drawers, except VCD42 which has two
- Back is pre-drilled for optional bottom and mid-height accessory Vanity Tray Kits
- Vanity Tray Kits are only available on 21" deep Vanities
- ☆ **Note:** When depth is reduced to 12" or 15", drawers become false fronts

|       |       |
|-------|-------|
| ◇ SSS | ☆ 15  |
| ● SDS | ● CFO |
| ● ADU | ● CSO |
| ☆ 12  | ● FRM |

### Vanity Combination Drawer Three Drawer



18" Deep  
34 1/2" High  
☆ **VCD303518 DR or DL**  
☆ **VCD333518 DR or DL**  
☆ **VCD363518 DR or DL**  
☆ **VCD423518 DR or DL**

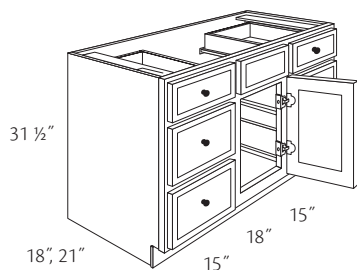
21" Deep  
34 1/2" High  
**VCD3035 DR or DL**  
**VCD3335 DR or DL**  
**VCD3635 DR or DL**  
**VCD4235 DR or DL**

☆ Unavailable with depth modifications

- Specify DR (Drawer Right) or DL (Drawer Left) position for drawers
- No shelf
- One door and one standard height full-width false drawer front above door and drawers, except VCD4235 which has two
- Two standard height drawers and one lower deep drawer
- Back is pre-drilled for optional bottom and mid-height accessory Vanity Tray Kits
- Vanity Tray Kits are only available on 21" deep Vanities
- ☆ **Note:** When depth is reduced to 12" or 15", drawers become false fronts

|       |       |
|-------|-------|
| ◇ SSS | ☆ 15  |
| ● SDS | ● CFO |
| ● ADU | ● CSO |
| ☆ 12  | ● FRM |

### Vanity Combination Drawer Six Drawer Single Door



18" Deep  
31 1/2" High  
☆ **VCD4818**

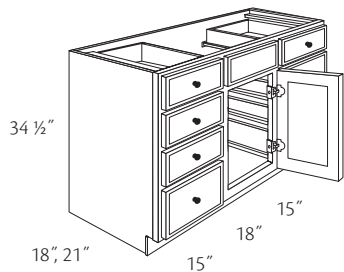
21" Deep  
31 1/2" High  
**VCD48**

☆ Unavailable with depth modifications

- No shelf
- Two standard height top drawers and four deep lower drawers
- Center door is hinged right
- False drawer front only between top drawers
- Space between drawers for sink installation is 21"
- ☆ **Note:** When depth is reduced to 12" or 15", drawers become false fronts
- Back is **not** pre-drilled for optional bottom and mid-height accessory Vanity Tray Kit

|       |       |
|-------|-------|
| ◇ SSS | ☆ 15  |
| ● SDS | ● CFO |
| ● ADU | ● CSO |
| ☆ 12  | ● FRM |

### Vanity Combination Drawer Eight Drawer Single Door



18" Deep  
34 1/2" High  
☆ **VCD483518**

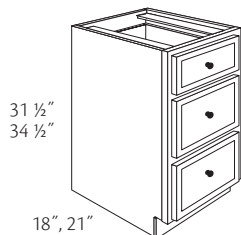
21" Deep  
34 1/2" High  
**VCD4835**

☆ Unavailable with depth modifications

- No shelf
- Six standard height upper drawers and two deep lower drawers
- Center door is hinged right
- False drawer front only between top drawers
- Space between drawers for sink installation is 21"
- Back is **not** pre-drilled for optional bottom and mid-height accessory Vanity Tray Kit
- ☆ **Note:** When depth is reduced to 12" or 15", drawers become false fronts

|       |       |
|-------|-------|
| ◇ SSS | ☆ 15  |
| ● SDS | ● CFO |
| ● ADU | ● CSO |
| ☆ 12  | ● FRM |

### Vanity Drawer Three Drawer



18" Deep  
31 1/2" High  
**VD1218-3D**  
**VD1518-3D**  
**VD1818-3D**  
**VD2118-3D**  
**VD2418-3D**

34 1/2" High  
**VD123518-3D**  
**VD153518-3D**  
**VD183518-3D**  
**VD213518-3D**  
**VD243518-3D**

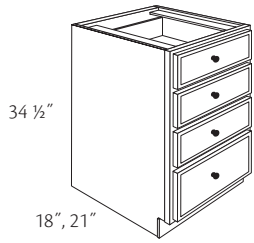
21" Deep  
31 1/2" High  
**VD12-3D**  
**VD15-3D**  
**VD18-3D**  
**VD21-3D**  
**VD24-3D**

34 1/2" High  
**VD1235-3D**  
**VD1535-3D**  
**VD1835-3D**  
**VD2135-3D**  
**VD2435-3D**

- One standard height top drawer and two deep drawers below

|       |       |
|-------|-------|
| ◇ SSS | ☆ 15  |
| ● SDS | ● CFO |
| ● ADU | ● CSO |
| 12    | ● FRM |

### Vanity Drawer Four Drawer



18" Deep  
 34 1/2" High  
**VD123518-4D**  
**VD153518-4D**  
**VD183518-4D**  
**VD213518-4D**  
**VD243518-4D**

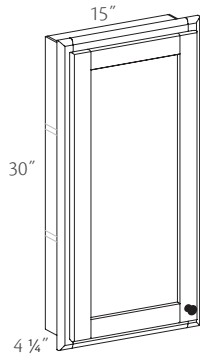
21" Deep  
 34 1/2" High  
**VD1235-4D**  
**VD1535-4D**  
**VD1835-4D**  
**VD2135-4D**  
**VD2435-4D**

- Three standard height upper drawers and one deep drawer below

|       |       |
|-------|-------|
| ◇ SSS | 15    |
| ● SDS | ● CFO |
| ● ADU | ● CSO |
| 12    | ● FRM |

### Vanity Wall Recessed

**VWR1530 R or L**



- Specify R or L for door hinging
- For surface mount or recess installation
- Two adjustable shelves
- Sides, top, and bottom are laminated both sides
- Opening for recessed installation: 13 1/2" W x 28 3/4" H x 3 1/2" D

|       |       |
|-------|-------|
| ◇ SSS | 15    |
| ◇ SDS | ● CFO |
| ● ADU | ● CSO |
| 12    | ● FRM |

# Vanity Sink Cabinets

|     |  |
|-----|--|
| SSS | Standard Construction                          |
| SDS | Standard Construction with Dovetail Drawers    |
| ADU | All Plywood Construction with Dovetail Drawers |
| 12  | Depth Modification                             |

|     |                    |
|-----|--------------------|
| 15  | Depth Modification |
| CFO | Cabinet Front Only |
| CSO | Case Only          |
| FRM | Frame Only         |

## Construction Options and Modifications

- ❖ Included as standard
  - Available with an upcharge
  - ☆ Available with exceptions
- (Blank) **Not** available

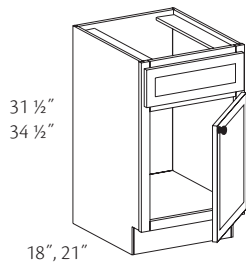
## Vanity Sink Cabinet Information

Cabinets with a "B" suffix have BUTT doors without a center stile.

Material dimensions may vary slightly based on lumber industry standards. Specifications subject to change without notice.

**Note:** Cabinets ordered with ADU construction option will be supplied with unfinished exterior end panel. Vanity end panel is required to finish exposed end of cabinet run

### Vanity Sink Base Single Door



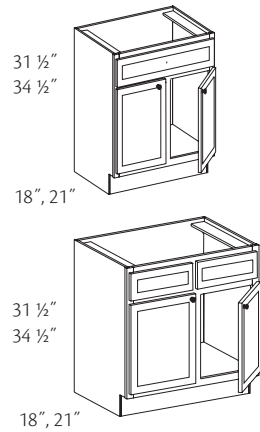
- 18" Deep
- 31 1/2" High
- ☆ **VSB2418 R or L**
- 34 1/2" High
- ☆ **VSB243518 R or L**
- 21" Deep
- 31 1/2" High
- VSB24 R or L**
- 34 1/2" High
- VSB2435 R or L**

☆ Unavailable with depth modifications

- No shelf
- One full-width false drawer front above door
- Back is pre-drilled for optional bottom and mid-height accessory Vanity Tray Kits
- Vanity Tray Kits are only available on 21" deep Vanities

|       |       |
|-------|-------|
| ❖ SSS | ☆ 15  |
| ❖ SDS | ● CFO |
| ● ADU | ● CSO |
| ☆ 12  | ● FRM |

### Vanity Sink Base Double Door



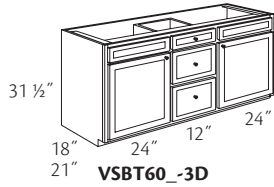
- |                     |                 |
|---------------------|-----------------|
| 18" Deep            | 21" Deep        |
| 31 1/2" High        | 31 1/2" High    |
| ☆ <b>VSB2718B</b>   | <b>VSB27B</b>   |
| ☆ <b>VSB3018</b>    | <b>VSB30</b>    |
| ☆ <b>VSB3018B</b>   | <b>VSB30B</b>   |
| ☆ <b>VSB3318</b>    | <b>VSB33</b>    |
| ☆ <b>VSB3618</b>    | <b>VSB36</b>    |
| ☆ <b>VSB3618B</b>   | <b>VSB36B</b>   |
| ☆ <b>VSB4218</b>    | <b>VSB42</b>    |
| 18" Deep            | 21" Deep        |
| 34 1/2" High        | 34 1/2" High    |
| ☆ <b>VSB273518B</b> | <b>VSB2735B</b> |
| ☆ <b>VSB303518</b>  | <b>VSB3035</b>  |
| ☆ <b>VSB303518B</b> | <b>VSB3035B</b> |
| ☆ <b>VSB333518</b>  | <b>VSB3335</b>  |
| ☆ <b>VSB363518</b>  | <b>VSB3635</b>  |
| ☆ <b>VSB363518B</b> | <b>VSB3635B</b> |

☆ Unavailable with depth modifications

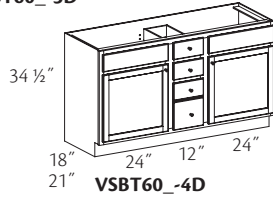
- No shelf
- All cabinets have one full-width false drawer front except VSB4218 and VSB42, which have two
- Back is pre-drilled for optional bottom and mid-height accessory Vanity Tray Kits
- Vanity Tray Kits are only available on 21" deep Vanities

|       |       |
|-------|-------|
| ❖ SSS | ☆ 15  |
| ❖ SDS | ● CFO |
| ● ADU | ● CSO |
| ☆ 12  | ● FRM |

### Vanity Sink Base Double Bowl



**VSBT60\_-3D**



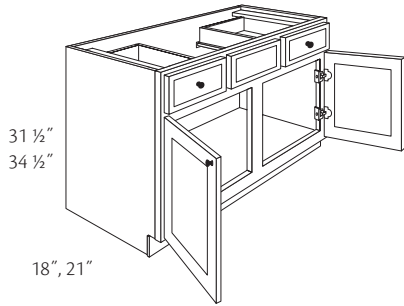
**VSBT60\_-4D**

- 31 1/2" High
- 18" Deep
- ☆ **VSBT6018-3D**
- 21" Deep
- VSBT60-3D**
- 34 1/2" High
- 18" Deep
- ☆ **VSBT603518-4D**
- 21" Deep
- VSBT6035-4D**
- ☆ Unavailable with depth modifications

- No shelf
- VSBT 31 1/2" high cabinets have 3 drawers in the center section; 1 standard height top drawer, 2 deep drawers below
- VSBT 34 1/2" high cabinets have 4 drawers in the center section; 3 standard height drawers, 1 deep drawer below
- One false drawer front above doors
- Full-width support cross rail across top front of cabinet
- Opening on each end for sink installation is 24 3/4"
- Back is pre-drilled for optional bottom and mid-height accessory Vanity Tray Kits
- Vanity Tray Kits are only available on 21" deep Vanities
- **Note:** Actual cabinet width is 60"
- ☆ **Note:** When depth is reduced to 12" or 15", drawers become false fronts

|       |       |
|-------|-------|
| ◆ SSS | ☆ 15  |
| ● SDS | ● CFO |
| ● ADU | ● CSO |
| ☆ 12  | ● FRM |

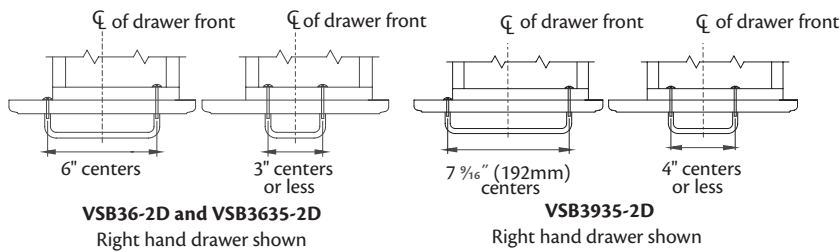
### Vanity Sink Base Two Drawer Double Door



- 18" Deep
- 31 1/2" High
- ☆ **VSB3618-2D**
- ☆ **VSB3618B-2D**
- 34 1/2" High
- ☆ **VSB363518-2D**
- ☆ **VSB363518B-2D**
- ☆ **VSB393518-2D**
- 21" Deep
- 31 1/2" High
- VSB36-2D**
- VSB36B-2D**
- 34 1/2" High
- VSB3635-2D**
- VSB3635B-2D**
- VSB3935-2D**
- ☆ Unavailable with depth modifications

- No shelf
- False drawer front only between top drawers
- Space between drawers for sink installation is 18"
- Back is pre-drilled for optional bottom and mid-height accessory Vanity Tray Kits
- Vanity Tray Kits are only available on 21" deep Vanities
- ☆ **Note:** When depth is reduced to 12" or 15", drawers become false fronts
- **Note:** Two standard height top drawers. Drawer fronts are offset from drawer core. This limits the sizes of pulls that can be positioned in the middle of the drawer front to pulls with 6" centers or 3" and narrower centers

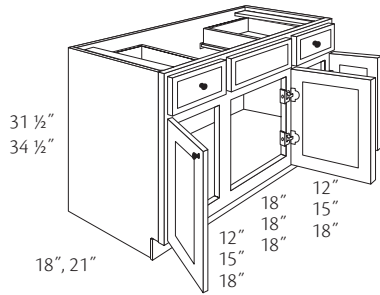
|       |       |
|-------|-------|
| ◆ SSS | ☆ 15  |
| ● SDS | ● CFO |
| ● ADU | ● CSO |
| ☆ 12  | ● FRM |



**VSB36-2D and VSB3635-2D**  
Right hand drawer shown

**VSB3935-2D**  
Right hand drawer shown

## Vanity Sink Base Two Drawer Three Door



18" Deep  
31 1/2" High  
☆ **VSB4218-2D**  
☆ **VSB4818-2D**  
☆ **VSB5418-2D**

34 1/2" High  
☆ **VSB423518-2D**  
☆ **VSB483518-2D**  
☆ **VSB543518-2D**

☆ Unavailable with depth modifications

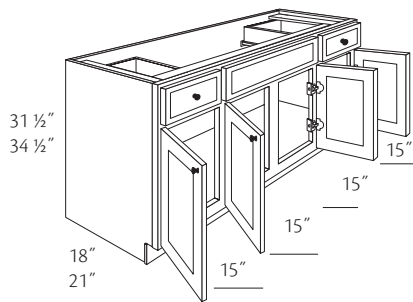
21" Deep  
31 1/2" High  
**VSB42-2D**  
**VSB48-2D**  
**VSB54-2D**

34 1/2" High  
**VSB4235-2D**  
**VSB4835-2D**  
**VSB5435-2D**

- No shelf
- Two standard height top drawers
- False drawer front only between top drawers
- Center door is hinged right
- Center door on 42" cabinets is 6" wider than outer doors
- Center door on 48" cabinets is 3" wider than outer doors
- Doors are equal size on 54" cabinets
- Back is pre-drilled for optional bottom and mid-height accessory Vanity Tray Kits
- Back is pre-drilled behind the center door for optional bottom and mid-height accessory Vanity Tray Kit on VSB543518-2D and VSB5435-2D only
- Space between drawers for sink installation is 21"
- 54" wide cabinets have a full-width support cross rail across top front and back of cabinet
- Vanity Tray Kits are only available on 21" deep Vanities
- ☆ **Note:** When depth is reduced to 12" or 15", drawers become false fronts

|       |       |
|-------|-------|
| ◆ SSS | ☆ 15  |
| ● SDS | ● CFO |
| ● ADU | ● CSO |
| ☆ 12  | ● FRM |

## Vanity Sink Base Two Drawer Four Door



18" Deep  
31 1/2" High  
☆ **VSBT6018-2D**  
34 1/2" High  
☆ **VSBT603518-2D**

21" Deep  
31 1/2" High  
**VSBT60-2D**  
34 1/2" High  
**VSBT6035-2D**

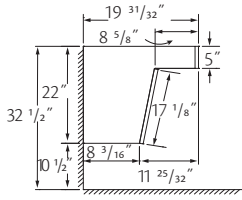
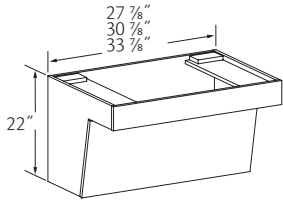
☆ Unavailable with depth modifications

- No shelf
- Doors are equal size
- Two standard height top drawers
- False drawer front only between top drawers
- Doors left of center hinged left, doors right of center hinged right
- Space between drawers for sink installation is 33"
- Partial overlay inner and outer doors are 13 1/4" wide; full overlay inner and outer doors are 14 5/8"
- Full-width support cross rail across top front of cabinet
- Back is pre-drilled for optional bottom and mid-height accessory Tray Kits that fit behind outer doors. See tray availability charts in the Trays section.
- Back is pre-drilled behind the center door for optional bottom and mid-height accessory Vanity Tray Kit on VSBT60-2D and VSBT6035-2D only
- Vanity Tray Kits are only available on 21" deep Vanities
- **Note:** Actual cabinet width is 60"
- ☆ **Note:** When depth is reduced to 12" or 15", drawers become false fronts

|       |       |
|-------|-------|
| ◆ SSS | ☆ 15  |
| ● SDS | ● CFO |
| ● ADU | ● CSO |
| ☆ 12  | ● FRM |

### Vanity Floating Plumbing Skirt

**VFPS30**  
**VFPS33**  
**VFPS36**



- ☆ Cabinet components other than the frame are constructed of plywood
- ☆ Regardless of construction option, model is constructed the same

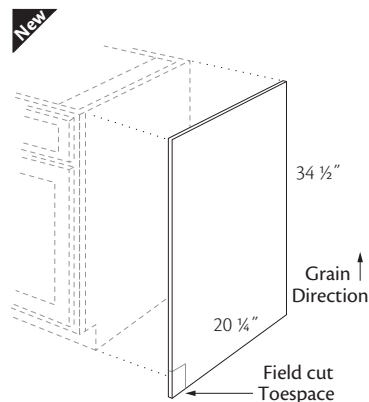
|       |     |
|-------|-----|
| ☆ SSS | 15  |
| ☆ SDS | CFO |
| ☆ ADU | CSO |
| 12    | FRM |



Warning: Floating plumbing unit must be securely attached to wall studs

## Construction Options and Modifications

- ❖ Included as standard
  - Available with an upcharge
  - ☆ Available with exceptions
- (Blank) **Not** available



### Vanity End Panel

- Veneer
  - VEP34
  - VEP34-10
- Paper Laminate
  - VEP34P
  - VEP34P-10
- Painted and laminate finishes are painted veneer

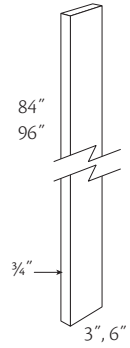
*Grey color coding indicates new product, size or code.*

- Used to trim exposed end of vanity base cabinet
- For right or left hand use
- Veneer: 3/16" thick panel, finished on one side; grain runs lengthwise
- Laminate: 1/8" thick panel, laminate on front side, back side unfinished
- Toe space notch is field cut
- Trimmed to fit installation
- Offered individually or 10 per carton

❖ BR ❖ LM

## Construction Options and Modifications

- ❖ Included as standard
  - Available with an upcharge
  - ☆ Available with exceptions
- (Blank) **Not** available



### Tall Filler

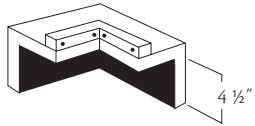
84" High  
**TF3-84**  
**TF6-84**  
96" High  
**TF3-96**  
**TF6-96**

- 3/4" thick solid wood
- Painted hardwood supplied for painted and laminate finishes
- Finished on face surface only

❖ BR ❖ LM

## Construction Options and Modifications

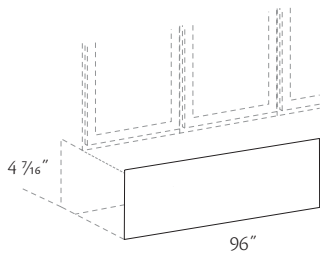
- ❖ Included as standard
  - Available with an upcharge
  - ☆ Available with exceptions
- (Blank) **Not** available



### Corner Filler Toe Kick CFTK3

- Use in 90° corners to fill the toe space opening created by using the Wall Filler Corner
- Order Wall Filler Corner separately

BR LM



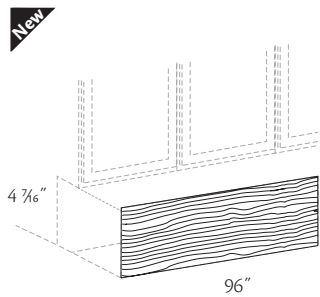
### Toe Kick Cover - Laminate

8' Length  
TKCL8  
TKCL8-25

1/8" thick MDF  
medium density fiberboard

- Matching easy clean laminate on one side
- Grain direction runs lengthwise (when applicable)
- Offered individually or 25 per carton

BR LM



### Toe Kick Cover - Veneer

5/32" Thick  
TKCV8  
TKCV8-25

*Grey color coding indicates new product, size or code.*

- Matching wood veneer plywood finished on one side for stain finishes, grain direction runs lengthwise
- Medium Density Fiberboard (MDF) with easy clean laminate on one side for paint and laminate finishes
- Offered individually or 25 per carton

BR LM

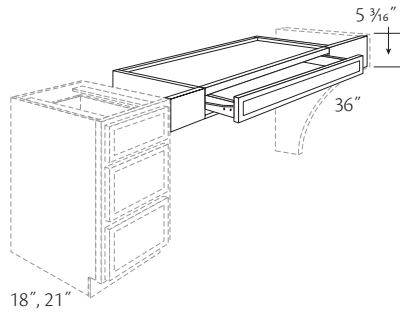
**Notes**

# Office Cabinets

## Construction Options and Modifications

- ❖ Included as standard
  - Available with an upcharge
  - ☆ Available with exceptions
- (Blank) **Not** available

- SSS Standard Construction
- SDS Standard Construction with Dovetail Drawers
- ADU All Plywood Construction with Dovetail Drawers
- CFO Cabinet Front Only
- CSO Case Only

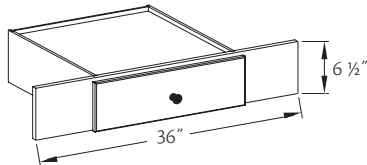


### Desk Knee Drawer Trimmable

18" Deep  
**DKDT3618**  
21" Deep  
**DKDT36**

- Designed for use between base, vanity, tall cabinets or with desk leg on one end
- Full-width top panel is recessed for easier installation
- Drawer front is profiled on all edges
- 4 1/2" wide face frame stiles permit DKDT to be trimmed up to 6" in overall width (3" each side)
- Face frame includes 11/16" tall bottom rail for added strength
- Drawer fronts are solid slab
- Requires countertop or writing surface

|   |     |   |     |
|---|-----|---|-----|
| ❖ | SSS | ● | CFO |
| ● | SDS | ● | CSO |
| ● | ADU |   |     |



### Desk Knee Drawer Deep Trimmable

18" Deep  
**DKDDT3618**  
21" Deep  
**DKDDT36**

- Designed for use between base, vanity, tall cabinets or with desk leg on one end
- One standard height drawer
- Frame is constructed of 3/4" plywood
- Drawer front is profiled on all edges
- Full-width top panel is recessed for easier installation
- Requires countertop or writing surface
- Trimmable to 21" wide; 7 1/2" each side

|   |     |   |     |
|---|-----|---|-----|
| ❖ | SSS | ● | CFO |
| ● | SDS | ● | CSO |
| ● | ADU |   |     |

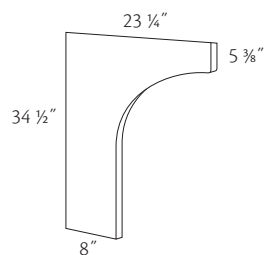
## Office Panels

BR Birch

LM Laminate

## Construction Options and Modifications

- ❖ Included as standard
  - Available with an upcharge
  - ☆ Available with exceptions
- (Blank) **Not** available



## Desk End Panel Contoured

## DEPC2434

- Used to support end of Desk Knee Drawer Trimmable; fits behind extended frame stile
- 3/4" thick plywood core with vertical grain veneer on both sides
- Front edges are banded
- Painted and laminate finishes are painted veneer
- Field cut to correct height and depth where applicable
- Regardless of construction option, model is constructed the same

 BR  LM

# Universal Access Cabinets

## Construction Options and Modifications

- ❖ Included as standard
- Available with an upcharge
- ☆ Available with exceptions

(Blank) **Not** available

|     |  |
|-----|--|
| SSS | Standard Construction                          |
| SDS | Standard Construction with Dovetail Drawers    |
| ADU | All Plywood Construction with Dovetail Drawers |
| 12  | Depth Modification                             |
| 15  | Depth Modification                             |
| 18  | Depth Modification                             |

|     |                    |
|-----|--------------------|
| 21  | Depth Modification |
| HDS | Half Depth Shelf   |
| CFO | Cabinet Front Only |
| CSO | Case Only          |
| FRM | Frame Only         |

## Universal Cabinet Information

We manufacture cabinets that are readily used in floor plans that meet current ADA Accessibility Guidelines for Building and Facilities (ADAAG) guidelines. The primary responsibility to make a space comply with these guidelines is on the architect or space planner. Our products can be used to help satisfy the storage needs and accessibility requirements of disabled persons but depends on the knowledge, skill and creativity of the design professional and proper installation of these products. ADA Accessibility Guidelines for buildings and facilities can be visited online at: [www.access-board.gov](http://www.access-board.gov)

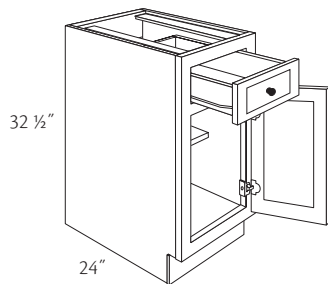
Universal Access cabinetry features a 5 1/2" high toe kick.

Cabinets with a "B" suffix have BUTT doors without a center stile.

Material dimensions may vary slightly based on lumber industry standards. Specifications subject to change without notice.

**Note:** Cabinets ordered with ADU construction option will be supplied with unfinished exterior end panel. Base end panel is required to finish exposed end of cabinet run

### Universal Base Single Door



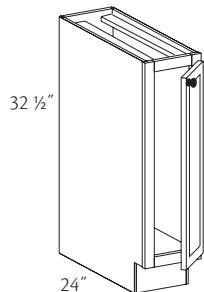
**UB12 R or LHDS**  
**UB15 R or LHDS**  
**UB18 R or LHDS**  
**UB21 R or LHDS**  
**UB24 R or LHDS**

- Specify R or L for door hinging
- Standard height top drawer
- ☆ **Note:** When depth is reduced to 12" or 15", drawers become false fronts

|       |       |
|-------|-------|
| ❖ SSS | ● 21  |
| ● SDS | ❖ HDS |
| ● ADU | ● CFO |
| ☆ 12  | ● CSO |
| ☆ 15  | ● FRM |
| ● 18  |       |

### Universal Base Single Door - Full-Height

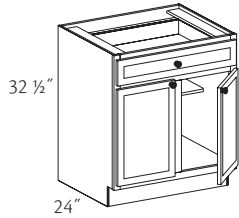
**UB9FH R or L**



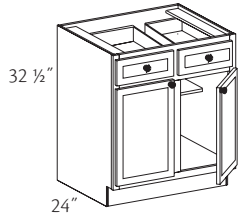
- Specify R or L for door hinging
- No shelf

|       |       |
|-------|-------|
| ❖ SSS | ● 21  |
| ❖ SDS | ● HDS |
| ● ADU | ● CFO |
| ● 12  | ● CSO |
| ● 15  | ● FRM |
| ● 18  |       |

## Universal Base Double Door



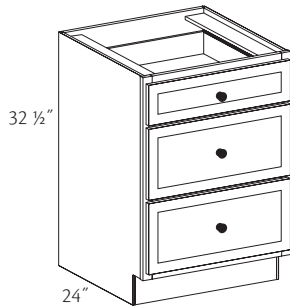
One drawer  
**UB27B HDS**  
**UB30 HDS**  
**UB30B HDS**  
**UB36 HDS**  
**UB36B HDS**  
 Two drawers  
**UB42 HDS**



- Standard height top drawer
- ☆ **Note:** When depth is reduced to 12" or 15", drawers become false fronts
- Back panel is pre-drilled for accessory Base Tray Kits; only available on 21" and 24" deep cabinets

|       |       |
|-------|-------|
| ◇ SSS | ● 21  |
| ● SDS | ◇ HDS |
| ● ADU | ● CFO |
| ☆ 12  | ● CSO |
| ☆ 15  | ● FRM |
| ● 18  |       |

## Universal Base Three Drawer



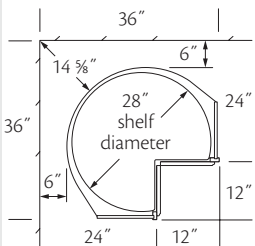
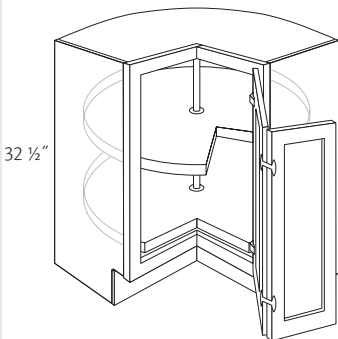
**UBD12-3D**  
**UBD15-3D**  
**UBD18-3D**  
**UBD21-3D**  
**UBD24-3D**

- Standard height top drawer
- Deep drawers on bottom

|       |       |
|-------|-------|
| ◇ SSS | ● 21  |
| ● SDS | ◇ HDS |
| ● ADU | ● CFO |
| 12    | ● CSO |
| 15    | ● FRM |
| ● 18  |       |

## Universal Base Corner Revolving

**UBCR36 R or L**



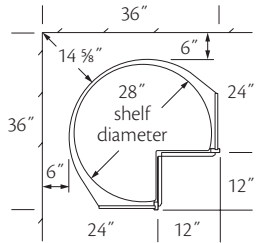
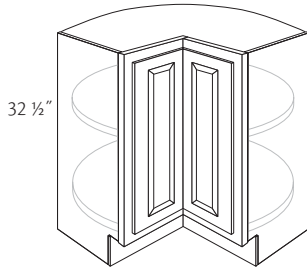
- Specify R or L for door hinging
- Two piece bi-fold door with independent adjustment
- 168° opening hinges on face frame door
- Two 28" diameter high impact, pie-cut revolving white plastic shelves
- Shelves rotate independently of doors and each other
- Shelf load rating of 15 lbs. per square foot, unable to exceed 50 lbs.
- Shelf height unable to be adjusted
- Use Base End Panel Filler if end is exposed (requires 3" of space)
- Requires 36" of wall space in each direction
- Hinging is **not** invertible in the field
- SoftAction hinges are unavailable
- **Note:** Back panel (barrel) will **not** be plywood when ADU is ordered

|       |       |
|-------|-------|
| ◇ SSS | 21    |
| ◇ SDS | HDS   |
| ● ADU | ● CFO |
| 12    | ● CSO |
| 15    | FRM   |
| 18    |       |



If corner cabinet adjacent to an object is deeper than the end panel, the door of the corner cabinet may not function properly

**Universal Base Lazy Susan  
UBLS36**



- Available in partial overlay door styles only
- Doors revolve with shelves
- Two 28" diameter high impact, pie-cut revolving white plastic shelves
- Shelf height unable to be adjusted
- Shelf load rating of 15 lbs. per square foot, unable to exceed 50 lbs.
- Use Base End Panel Filler if end is exposed (requires 3" of space)
- Requires 36" of wall space in each direction
- **Note:** Back panel (barrel) will **not** be plywood when ADU is ordered

|   |     |       |
|---|-----|-------|
| ◇ | SSS | 21    |
| ◇ | SDS | HDS   |
| ● | ADU | CFO   |
|   | 12  | ● CSO |
|   | 15  | FRM   |
|   | 18  |       |

# Universal Access Sink Base Cabinets

## Construction Options and Modifications

- ❖ Included as standard
- Available with an upcharge
- ☆ Available with exceptions

(Blank) **Not** available

|     |  |
|-----|--|
| SSS | Standard Construction                          |
| SDS | Standard Construction with Dovetail Drawers    |
| ADU | All Plywood Construction with Dovetail Drawers |
| 12  | Depth Modification                             |
| 15  | Depth Modification                             |

|     |                    |
|-----|--------------------|
| 18  | Depth Modification |
| 21  | Depth Modification |
| CFO | Cabinet Front Only |
| CSO | Case Only          |
| FRM | Frame Only         |

## Universal Sink Cabinet Information

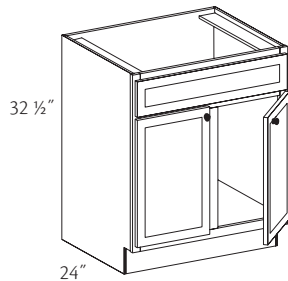
Universal Access cabinetry features a 5 1/2" high toe kick.

Cabinets with a "B" suffix have BUTT doors without a center stile.

Material dimensions may vary slightly based on lumber industry standards. Specifications subject to change without notice.

**Note:** Cabinets ordered with ADU construction option will be supplied with unfinished exterior end panel. Base end panel is required to finish exposed end of cabinet run

### Universal Sink Base Double Door

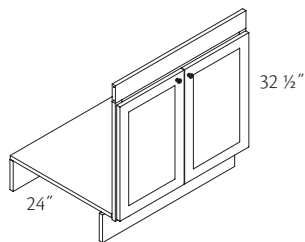


**USB30**  
**USB30B**  
**USB36**  
**USB36B**

- No shelf
- One full-width false drawer front
- Back panel is pre-drilled for accessory Base Tray Kits; only available on 21" and 24" deep cabinets

|       |       |
|-------|-------|
| ❖ SSS | ● 18  |
| ❖ SDS | ● 21  |
| ● ADU | ● CFO |
| ● 12  | ● CSO |
| ● 15  | ● FRM |

### Universal Removable Sink Front Double Doors



**URSF30**  
**URSF30B**  
**URSF33**  
**URSF36**  
**URSF36B**  
**URSF42**

- Designed for easy field conversion from a standard sink base functionality to access open space
- Permanently installed countertop support rail is 3 1/2" high x 3/4" thick solid wood
- Doors and frame are shipped pre-assembled
- 3/4" thick removable plywood bottom panel with support hardware / leveling legs and a removable clipped-on toeboard provided
- Matching solid wood baseboard provided for bottom panel support along the kitchen wall
- Frame, doors, floor bottom and toe board can be flat packed for easy storage in a min. amount of space
- Frame attached to bottom panel using quick connect (cam-locks) fasteners providing a solid tight joint
- Some field assembly required; instructions and hardware included
- A Universal Access Panel can be purchased separately to conceal/protect the water and drain lines
- **Must** be installed between two cabinets or a cabinet and a wall
- ☆ Regardless of construction option, model constructed the same

|       |       |
|-------|-------|
| ☆ SSS | ● 18  |
| ☆ SDS | ● 21  |
| ☆ ADU | ● CFO |
| 12    | ● CSO |
| 15    | ● FRM |



Complete flooring under Universal Access Removable Sink Front (URSF) to prepare for the future when sink front and plywood bottom is removed

# Universal Access Accessories

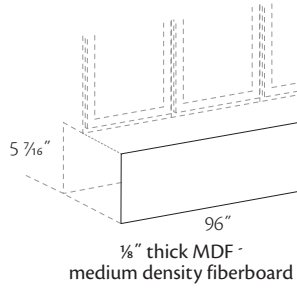
BR Birch

LM Laminate

## Construction Options and Modifications

- ❖ Included as standard
  - Available with an upcharge
  - ☆ Available with exceptions
- (Blank) **Not** available

### Universal Base Toe Kick Cover - Laminate

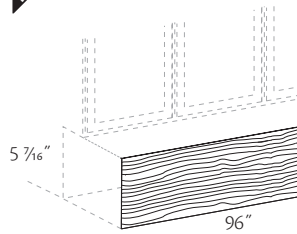


8' Length  
**TKCUL8**

- Matching easy clean laminate on one side
- Grain direction runs lengthwise (when applicable)

❖ BR ❖ LM

**New**



### Universal Base Toe Kick Cover - Veneer

5/32" Thick  
**TKCUV8**

*Grey color coding indicates new product, size or code.*

- Matching wood veneer plywood finished on one side for stain finishes, grain direction runs lengthwise
- Medium Density Fiberboard (MDF) with easy clean laminate on one side for paint and laminate finishes

❖ BR ❖ LM

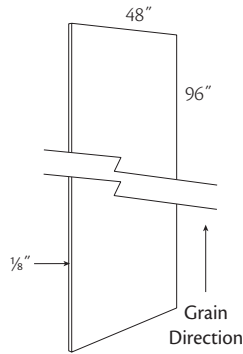
*Notes*

## Construction Options and Modifications

- ❖ Included as standard
  - Available with an upcharge
  - ☆ Available with exceptions
- (Blank) **Not** available

### Panel Backer-Paper

**PB4896P**  
**PB4896P-2**

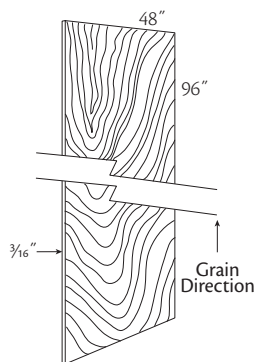


- Use to cover exposed backs of Base and Tall cabinets in peninsula or island configurations
- Medium Density Fiberboard (MDF) panel with easy clean laminate on front side and unfinished backside
- Offered individually or two per carton

❖ BR ❖ LM

### Panel Backer-Veneer

**PB4896**  
**PB4896-2**

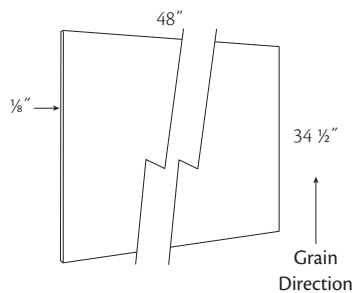


- Use to cover exposed backs of Base and Tall cabinets in peninsula or island configurations
- Veneered plywood panel finished on one side
- Painted and laminate finishes are painted veneer
- Offered individually or two per carton

❖ BR ❖ LM

### Panel Backer 3' Tall-Paper

**PB4834P**  
**PB4834P-2**

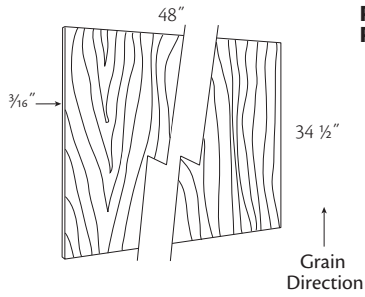


- Use to cover exposed backs of Base and Tall cabinets in peninsula or island configurations
- Medium Density Fiberboard (MDF) panel with easy clean laminate on front side and unfinished backside
- Offered individually or two per carton

❖ BR ❖ LM

**Panel Backer 3' Tall-Veneer**

**PB4834  
PB4834-4**

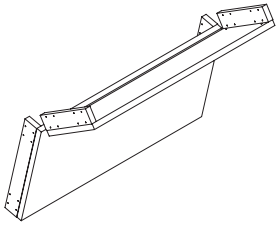


◆ BR ◆ LM

- Use to cover exposed backs of Base and Tall cabinets in peninsula or island configurations
- Veneered plywood panel finished on one side
- Painted and laminate finishes are painted veneer
- Offered individually or four per carton

**Universal Access Panel**

**UAP30  
UAP33  
UAP36  
UAP42**

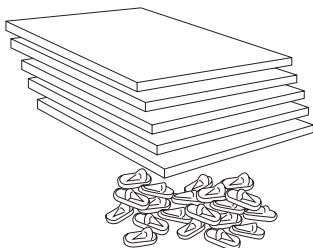


◆ BR ◆ LM

- Designed for optional use with Universal Removable Sink Front
- Conceals/protects drain and water lines
- Includes one 9" and one 15" high, 3/4" thick laminate plywood panel
- Panels are held with hidden spring clips, removable without tools for easy access to plumbing
- Trim when Base End Panels are used on adjacent cabinets
- Specify species and finish
- Installation instructions and mounting hardware included
- ☆ Regardless of construction option, model is constructed the same

## Construction Options and Modifications

- ❖ Included as standard
  - Available with an upcharge
  - ☆ Available with exceptions
- (Blank) **Not** available



### Utility Shelf Kits

- |  |  |
|--|--|
| 10 19/32" Deep<br><b>USK1512-3/4</b><br><b>USK1812-3/4</b><br><b>USK2412-3/4</b><br><b>USK3012-3/4</b><br><b>USK3612-3/4</b> | 22 19/32" Deep<br><b>USK1524-3/4</b><br><b>USK1824-3/4</b><br><b>USK2424-3/4</b><br><b>USK3024-3/4</b><br><b>USK3624-3/4</b> |
| 19 19/32" Deep<br><b>USK1521-3/4</b><br><b>USK1821-3/4</b><br><b>USK2421-3/4</b><br><b>USK3021-3/4</b><br><b>USK3621-3/4</b> |  |

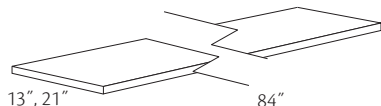
*Grey color coding indicates new product, size or code.*

- Easy to clean natural wood grain laminated on both sides with matching edge banding on front edge
- Shelf kits are 3/4" engineered wood (SSS, SDS) except USK3012-3/4, USK3612-3/4, USK3021-3/4, USK3621-3/4, USK3024-3/4, and USK3624-3/4
- USK3012-3/4, USK3612-3/4, USK3021-3/4, USK3621-3/4, USK3024-3/4, and USK3624-3/4 are 3/4" thick plywood core (SSS, SDS)
- Shelf kits are available in (ADU); shelves are 3/4" thick plywood
- Kit includes: five shelves, 20 clear supports, 30" and 36" wide shelf kits also include five clear back supports

BR LM

| Shelf Kits   |         |
|--------------|---------|
| 3/4" Shelf   | Width   |
| <b>USK15</b> | 13 1/4" |
| <b>USK18</b> | 16 1/4" |
| <b>USK24</b> | 22 1/4" |
| <b>USK30</b> | 28 1/4" |
| <b>USK36</b> | 34 1/4" |

### Furniture Shelf Kit

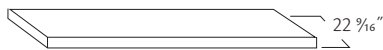


- 13" Deep  
**FS1384**
- 21" Deep  
**FS2184**

- 3/4" thick engineered wood
- Shelf load rating of 15 lbs. per square foot, unable to exceed 50 lbs.
- 13" deep for books and decorative accessories, 21" deep for electronics
- Front and back edges finished
- Stained finishes are wood veneer; Laminate and painted finishes are laminate
- Trimmed to fit installation
- Unavailable in ADU
- Shelf supports sold separately

BR LM

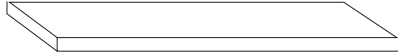
### Base Shelving-Full Depth



- BS1224**
- BS1524**
- BS1824**
- BS2124**
- BS2424**
- BS2724**
- BS3024**
- BS3324**
- BS3624**
- BS3924**
- BS4524**
- BS4824**

- Easy to clean natural wood grain laminated on both sides with matching edge banding on front edge
- 3/4" engineered wood core (SSS, SDS)
- 3/4" plywood core (ADU)

BR LM



## Replacement Shelving

### Base Shelf 12" Deep

**RBS1212**  
**RBS1512**  
**RBS1812**  
**RBS2112**  
**RBS2412**  
**RBS2712**  
**RBS3012**  
**RBS3312**  
**RBS3612**  
**RBS3912**  
**RBS3912HDS**  
**RBS4212**  
**RBS4212HDS**  
**RBS4512**  
**RBS4512HDS**  
**RBS4812**  
**RBS4812HDS**

### Peninsula Base Shelf 24" Deep

**RBS1824PB**  
**RBS2424PB**  
**RBS3624PB**  
**RBS4824PB**

### Base Corner Fixed Shelf 36" Deep

**RBS3636BCFS**

### Tall Shelf

#### 12" Deep

**RTS1512**  
**RTS1812**  
**RTS2412**  
**RTS3012**  
**RTS3612**

#### Tall Shelf 24" Deep

**RTS1524**  
**RTS1824**  
**RTS2424**  
**RTS3024**  
**RTS3324**  
**RTS3624**

### Vanity Wall Recessed

#### 4" Deep

**RVS1504VWR**

### Wall Shelf 12" Deep

**RWS0912**  
**RWS1212**  
**RWS1512**  
**RWS1812**  
**RWS2112**  
**RWS2412**  
**RWS3012**  
**RWS3312**  
**RWS3612**  
**RWS3912**  
**RWS4212**  
**RWS4512**  
**RWS4812**

### Wall Shelf 15" Deep

**RWS0915**  
**RWS1215**  
**RWS1515**  
**RWS1815**  
**RWS2115**  
**RWS2415**  
**RWS3015**  
**RWS3315**  
**RWS3615**  
**RWS3915**  
**RWS4215**  
**RWS4515**  
**RWS4815**

### Wall Microwave Shelf 15" Deep

**RWS3015WMS**

### Wall Shelf 24" Deep

**RWS0924**  
**RWS1224**  
**RWS1524**  
**RWS1824**  
**RWS2124**  
**RWS2424**  
**RWS3024**  
**RWS3324**  
**RWS3624**  
**RWS3924**  
**RWS4224**  
**RWS4524**  
**RWS4824**

### Wall Angle 24" Deep

**RWS2424WA**

### Wall Angle 27" Deep

**RWS2727WA**

### Matching Interior

#### Wall Shelf

#### 12" Deep

**RWS1512MI**  
**RWS1812MI**  
**RWS2112MI**  
**RWS2412MI**  
**RWS3012MI**  
**RWS3612MI**

#### Matching Interior

#### Wall Shelf

#### 15" Deep

**RWS1515MI**  
**RWS1815MI**  
**RWS2115MI**  
**RWS2415MI**  
**RWS3015MI**  
**RWS3615MI**

#### Matching Interior

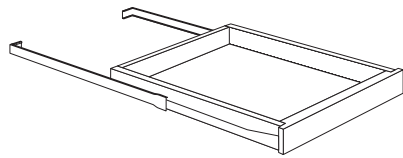
#### Wall Shelf

#### 24" Deep

**RWS1524MI**  
**RWS1824MI**  
**RWS2124MI**  
**RWS2424MI**  
**RWS3024MI**  
**RWS3624MI**

- 3/4" engineered wood core (SSS, SDS)
- 3/4" plywood core (ADU)
- Easy to clean natural wood grain laminated on both sides with matching edge banding on front edge
- (HDS) - Shelf will have a matching full-length support apron secured to the underside near the front edge for additional support
- (MI) - Matching, easy to clean laminate on two sides with matching edge banding on front edge
- Peninsula Base Shelf items have matching edge banding on front and back edges

◆ BR ◆ LM



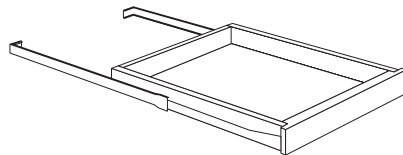
## Base Tray Kit - Standard

Base Tray Kit - Standard

- **BTK12**
  - **BTK15**
  - **BTK18**
  - **BTK21**
  - **BTK24**
  - **BTK27B**
  - **BTK30B**
  - **BTK33**
  - **BTK36/39**
  - **BTK36B**
  - **BTK39**
  - **BTK45**
- Includes a hardware pack containing brackets and screws for installing in Utility cabinets

- Installs in Base and 24" deep Utility cabinets. Base cabinets and 30"-36" non-butt Utility cabinets utilize pre-drilled holes in back panel; 15"-24" wide and butt door Utility cabinets utilize holes in end panels
- Includes tray core box, 3/4 extension left and right slides and installation hardware
- Tray front made of solid hardwood; tray sides, back and bottom panel are made of engineered wood covered with a moisture- and stain-resistant, easy clean laminate. Top edge of sides and back finished with matching edge banding
- Double-door cabinets with center stile require two kits if installing a tray on each side

| Base Tray Kit - Standard |            |   |
|--------------------------|------------|---|
| Item                     | Tray Width | For Use In:   |
| <b>BTK12</b>             | 8 3/4"     | B12, B12FH, B24D, SB12, SB24D, UB12   |
| <b>BTK15</b>             | 11 3/4"    | B15, B15FH, B30, B30FH, SB15, SB30, U158424, U159024, U159624, U308424, U309024, U309624, UB15, UB30, USB30 |
| <b>BTK18</b>             | 14 3/4"    | B18, B18FH, B36, B36FH, SB18, SB36, U188424, U189024, U189624, U368424, U369024, U369624, UB18, UB36, USB36 |
| <b>BTK21</b>             | 17 3/4"    | B21, B21FH, B42, B42FH, SB21, SB42, UB21, UB42  |
| <b>BTK24</b>             | 20 3/4"    | B24, B24FH, B48, B48FH, SB24, SB48, U248424, U249024, U249624, UB24   |
| <b>BTK27B</b>            | 23 3/4"    | B27B, B27BFH, SB27B, UB27B  |
| <b>BTK30B</b>            | 26 3/4"    | B30B, B30BFH, SB30B, U308424B, U309024B, U309624B, UB30B, USB30B  |
| <b>BTK33</b>             | 13 1/4"    | B33, B33FH, BBC42/45, SB33  |
| <b>BTK36/39</b>          | 7 1/4"     | BBC36/39FH  |
| <b>BTK36</b>             | 32 3/4"    | B36B, B36BFH, SB36B, U368424B, U369024B, U369624B, UB36B, USB36B  |
| <b>BTK39</b>             | 16 1/4"    | B39, B39FH, BBC45/48, SB39  |
| <b>BTK45</b>             | 19 1/4"    | B45, BBC48/51, SB45, UB45FH   |



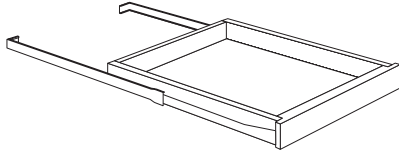
## Vanity Tray Kit

- **VTK12**
- **VTK15**
- **VTK18**
- **VTK21**
- **VTK24**
- **VTK27B**
- **VTK30B**
- **VTK33**
- **VTK36B**
- **VTK39**

- Installs in 21" deep Vanity and Vanity Linen Cabinets
- Includes tray core box, 3/4 extension left and right slides and installation hardware
- Tray front and back are made of solid hardwood; tray sides and bottom panel are made of engineered wood covered with a moisture and stain-resistant, easy clean laminate. Top edge of sides finished with matching edge banding
- Double-door cabinets with center stile require two kits if installing a tray on each side

| Vanity Tray Kit |            |  |
|-----------------|------------|--|
| Item            | Tray Width | For Use In:  |
| <b>VTK12</b>    | 8 3/4"     | VB12, VB1235, VSB42-2D, VSB4235-2D   |
| <b>VTK15</b>    | 11 3/4"    | VB15, VB1535, VB15FH, VB1535FH, VB30FH, VB3035FH, VB4835FH, VB48FH, VBT6035FH, VBT60FH, VCD30DR/L, VCD3035DR/L, VSB30, VSB3035, VSB48-2D, VSB4835-2D, VSBT60-2D, VSBT6035-2D |
| <b>VTK18</b>    | 14 3/4"    | VB18, VB1835, VB18FH, VB1835FH, VB36FH, VB3635FH, VCD36DR/L, VCD3635DR/L, VSB36, VSB3635, VSB36-2D, VSB3635-2D, VSB54-2D, VSB5435-2D   |
| <b>VTK21</b>    | 17 3/4"    | VB21, VB2135, VCD42DR/L, VCD4235DR/L, VSB42  |
| <b>VTK24</b>    | 20 3/4"    | VB24, VB2435, VSB24, VSB2435, VSBT60-3D, VSBT60-4D   |
| <b>VTK27B</b>   | 23 3/4"    | VB2735BFH, VSB27B, VSB2735B  |
| <b>VTK30B</b>   | 26 3/4"    | VB30BFH, VB3035BFH, VSB30B, VSB3035B   |
| <b>VTK33</b>    | 13 1/4"    | VB3335FH, VCD33DR/L, VCD3335DR/L, VSB33, VSB3335   |
| <b>VTK36B</b>   | 32 3/4"    | VB36BFH, VB3635BFH, VSB36B, VSB3635B, VSB36B-2D, VSB3635B-2D   |
| <b>VTK39</b>    | 16 1/4"    | VB3935FH, VSB3935-2D   |

### Roll-Out Trays - Solid Wood



*Cabinets 21" Deep*

**ROT1221**  
**ROT1521**  
**ROT1821**  
**ROT2121**  
**ROT2421**  
**ROT2721B**  
**ROT3021B**  
**ROT3321**  
**ROT3621B**  
**ROT3921**

*Cabinets 24" Deep*

**ROT1224**  
**ROT1524**  
**ROT1824**  
**ROT2124**  
**ROT2424**  
**ROT2724B**  
**ROT3024B**  
**ROT3324**  
**ROT3624B**  
**ROT36/39**  
**ROT3924**  
**ROT4524**

- Installs in Base, Utility, Vanity and Vanity Linen Cabinets
- Base and Vanity cabinets utilize pre-drilled holes in the back panel
- ROT1524, ROT1824, and ROT2424 include brackets and screws for installing in single door Utility cabinets utilizing holes in end panels
- 30" and 36" wide Utility cabinets with a center stile utilize pre-drilled holes in the back panel
- Natural finish
- Includes tray core box, 3/4 extension left and right slides and installation hardware
- Solid hardwood tray core with 3/4" thick front and 1/2" thick sides and back
- 3/16" thick veneer and vinyl-clad bottom panel finished on the top side with a moisture and stain resistant, easy clean laminate with printed matching wood grain
- Double door cabinets with center stile require two kits if installing a tray on each side

*Grey color coding indicates new product, size or code.*

| Roll-Out Trays-Solid Wood |            |   |
|---------------------------|------------|---|
| Item                      | Tray Width | For Use In:   |
| <b>ROT1221</b>            | 8 3/4"     | VB12, VB1235, VSB42-2D, VSB4235-2D  |
| <b>ROT1224</b>            | 8 3/4"     | B12, B12FH, B24D, SB12, SB24D, UB12   |
| <b>ROT1521</b>            | 11 3/4"    | VB15, VB1535, VB15FH, VB1535FH, VB30FH, VB3035FH, VB4835FH, VB48FH, VBT6035FH, VBT60FH, VCD30DR/L, VCD3035DR/L, VSB30, VSB3035, VSB48-2D, VSB4835-2D, VSBT60-2D, VSBT6035-2D" |
| <b>ROT1524</b>            | 11 3/4"    | B15, B15FH, B30, B30FH, SB15, SB30, U158424, U159024, U159624, U308424, U309024, U309624, UB15, UB30, USB30   |
| <b>ROT1821</b>            | 14 3/4"    | VB18, VB1835, VB18FH, VB1835FH, VB36FH, VB3635FH, VCD36DR/L, VCD3635DR/L, VSB36, VSB3635, VSB36-2D, VSB3635-2D, VSB54-2D, VSB5435-2D"   |
| <b>ROT1824</b>            | 14 3/4"    | B18, B18FH, B36, B36FH, SB18, SB36, U188424, U189024, U189624, U368424, U369024, U369624, UB18, UB36, USB36"  |
| <b>ROT2121</b>            | 17 3/4"    | VB21, VB2135, VCD42DR/L, VCD4235DR/L, VSB42   |
| <b>ROT2124</b>            | 17 3/4"    | B21, B21FH, B42, B42FH, SB21, SB42, UB21, UB42  |
| <b>ROT2421</b>            | 20 3/4"    | VB24, VB2435, VSB24, VSB2435, VSBT60-3D, VSBT60-4D  |
| <b>ROT2424</b>            | 20 3/4"    | B24, B24FH, B48, B48FH, SB24, SB48, U248424, U249024, U249624, UB24   |
| <b>ROT2721B</b>           | 23 3/4"    | VB2735BFH, VSB27B, VSB2735B   |
| <b>ROT2724B</b>           | 23 3/4"    | B27B, B27BFH, SB27B, UB27B  |
| <b>ROT3021B</b>           | 26 3/4"    | VB30BFH, VB3035BFH, VSB30B, VSB3035B  |
| <b>ROT3024B</b>           | 26 3/4"    | B30B, B30BFH, SB30B, U308424B, U309024B, U309624B, UB30B, USB30B  |
| <b>ROT3321</b>            | 13 1/4"    | VB3335FH, VCD33DR/L, VCD3335DR/L, VSB33, VSB3335  |
| <b>ROT3324</b>            | 13 1/4"    | B33, B33FH, BBC42/45, SB33  |
| <b>ROT36/39</b>           | 7 1/4"     | BBC36/39FH  |
| <b>ROT3621B</b>           | 32 3/4"    | VB36BFH, VB3635BFH, VSB36B, VSB3635B, VSB36B-2D, VSB3635B-2D  |
| <b>ROT3624B</b>           | 32 3/4"    | B36B, B36BFH, SB36B, U368424B, U369024B, U369624B, UB36B, USB36B  |
| <b>ROT3921</b>            | 16 1/4"    | VB3935FH, VSB3935-2D  |
| <b>ROT3924</b>            | 16 1/4"    | B39, B39FH, BBC45/48, SB39  |
| <b>ROT4524</b>            | 19 1/4"    | B45, BBC48/51, SB45   |

# Support and Valances

BR Birch

LM Laminate

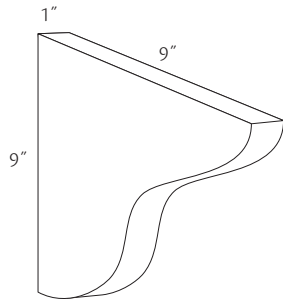
## Construction Options and Modifications

- ❖ Included as standard
- Available with an upcharge
- ☆ Available with exceptions

(Blank) **Not** available

### Countertop Support Bracket

CTSB-2

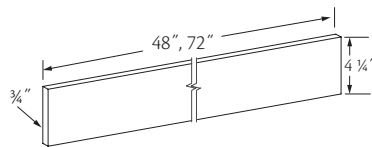


- Solid wood
- Vertical wood grain (when applicable)
- For use as additional shelf or countertop support
- Includes two recessed metal keyhole brackets installed on backside
- Mounting hardware included
- Sold in pairs

❖ BR ❖ LM

### Valance Contemporary

V48C  
V72C



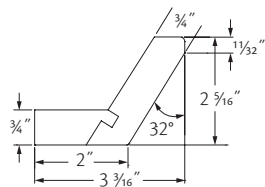
- 3/4" thick solid wood
- Square edges
- Trimmable
- Finished on both sides and both long edges
- Painted hardwood supplied for painted and laminate finishes

❖ BR ❖ LM

## Construction Options and Modifications

- ❖ Included as standard
  - Available with an upcharge
  - ☆ Available with exceptions
- (Blank) **Not** available

### Angle Crown Molding

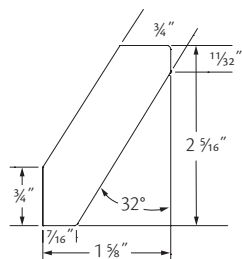


Solid Wood  
**ACM8**  
**ACM8-6**

- For use with partial or full overlay door styles
- Installs directly to top of cabinet
- All finishes supplied as painted or stained hardwood
- Backs are unfinished
- Allow sufficient space between top of cabinet and soffit or ceiling to accommodate molding
- Offered in 8' lengths
- Offered individually or six per carton

❖ BR ❖ LM

### Angle Crown Molding Face Mount

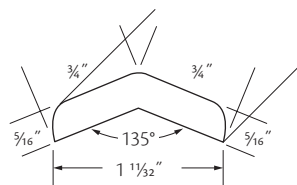


Solid Wood  
**ACMFM8**  
**ACMFM8-6**

- All finishes supplied as painted or stained hardwood
- Backs are unfinished
- Allow sufficient space between top of cabinet and soffit or ceiling to accommodate molding
- Offered in 8' lengths
- Offered individually or six per carton

❖ BR ❖ LM

### Angled Outside Corner Molding - 135 Degree

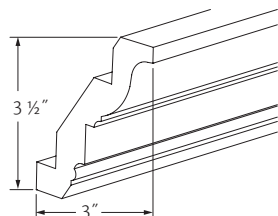


Solid Wood  
**AOSC8**

- Used to cover joint when two panels meet at 135°
- All finishes supplied as painted or stained hardwood
- Backs are unfinished
- Offered in 8' lengths

❖ BR ❖ LM

### Classic Crown Molding



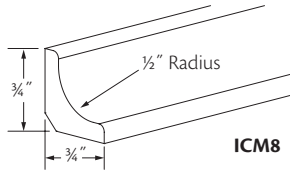
8' Length  
 Solid Wood  
 ▲ **CCM8**  
 12' Length  
 Paper Wrapped  
 ■ **CCM12**

- ▲ Birch finishes supplied as painted or stained hardwood
- Available in White and Grey only

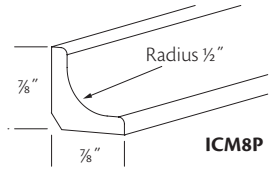
- CCM8 is available in Birch finishes and offered in individual 8' lengths
- CCM12 is paper wrapped, available in White and Grey, and offered in individual 12' lengths
- Backs are unfinished
- Allow sufficient space between top of cabinet and soffit or ceiling to accommodate molding

☆ BR ☆ LM

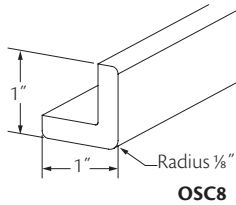
## Corner Molding



ICM8



ICM8P



OSC8

*Inside Corner Molding*  
*Solid Wood or Paper Wrapped*

**ICM8**  
**ICM8-10**

*Woodgrain Print*

**ICM8P**  
**ICM8P-10**

*Outside Corner Molding*  
*Solid Wood or Paper Wrapped*

**OSC8**  
**OSC8-10**

*Woodgrain Print*

**OSC8P**  
**OSC8P-10**

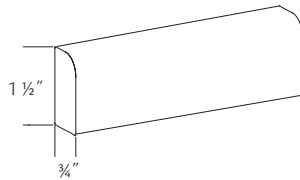
☆ ICM8, ICM8-10, OSC8, OSC8-10: Solid wood painted or stained finishes supplied as painted hardwood, except Laminate, which is paper wrapped

☆ ICM8P, ICM8P-10, OSC8P, OSC8P-10: Available in Boardwalk, Pecan, Steel Grey, and Twilight finishes only

- Backs are unfinished
- Offered in 8' lengths
- Offered individually or 10 per carton

☆ BR ☆ LM

## Countertop Molding

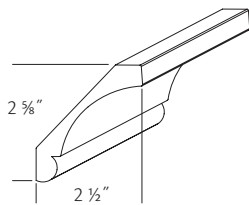


*Solid Wood*  
**CTR8**  
**CTR8-10**

- Used as countertop nosing
- Can be used under wall cabinets to conceal light fixtures
- All finishes supplied as painted or stained hardwood
- Backs are unfinished
- Offered in 8' lengths
- Offered individually or 10 per carton

◇ BR ◇ LM

## Cove Large Molding

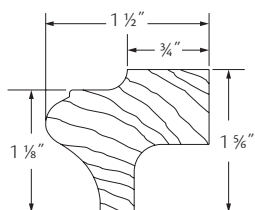


*Solid Wood*  
**CVLM8**  
**CVLM8-4**

- All finishes supplied as painted or stained hardwood
- Backs are unfinished
- Allow sufficient space between top of cabinet and soffit or ceiling to accommodate molding
- Offered in 8' lengths
- Offered individually or four per carton

◇ BR ◇ LM

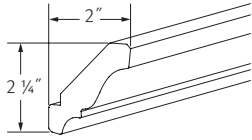
## Cove Light Rail Molding



*Solid Wood*  
**CVLR8**  
**CVLR8-6**

- Can be used under wall cabinets to conceal light fixtures
- All finishes supplied as painted or stained hardwood
- Backs are unfinished
- Offered in 8' lengths
- Offered individually or six per carton

◇ BR ◇ LM



### Crown Molding

*Solid Wood*

**CM8**

**CM8-10**

*Woodgrain Print*

**CM8P**

**CM8P-10**

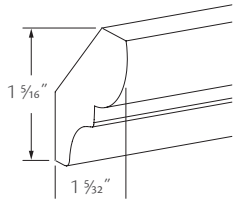
*Paper Wrapped*

**CM12**

- CM8, CM8-10: Available in Birch and Laminate finishes; supplied as painted or stained hardwood; offered in individual 8' lengths
- CM8P, CM8P-10: Available in Clove, Mirage, and Twilight finishes only; offered in individual 8' lengths
- CM12: Available in White and Grey; offered in individual 12' lengths
- Allow sufficient space between top of cabinet and soffit or ceiling to accommodate molding
- Backs are unfinished
- Offered individually or 10 per carton

☆ BR ☆ LM

### Crown Soffit Molding



*Solid Wood*

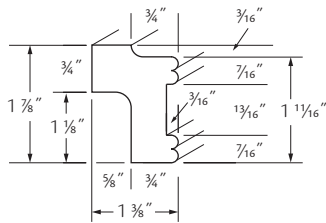
**CSM8**

**CSM8-10**

- All finishes supplied as painted or stained hardwood
- Backs are unfinished
- Allow sufficient space between top of cabinet and soffit or ceiling to accommodate molding
- Offered in 8' lengths
- Offered individually or 10 per carton

◇ BR ◇ LM

### Inset Light Rail



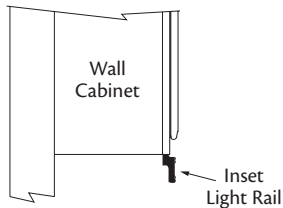
*Solid Wood*

**ILR8**

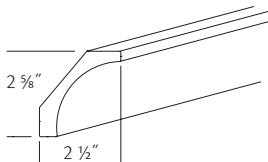
**ILR8-6**

- Can be used under wall cabinets to conceal light fixtures
- All finishes supplied as painted or stained hardwood
- Offered in 8' lengths
- Offered individually or six per carton

◇ BR ◇ LM



### Large Sterling Crown Molding



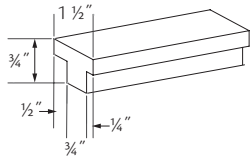
*Solid Wood*

**LSTCM8**

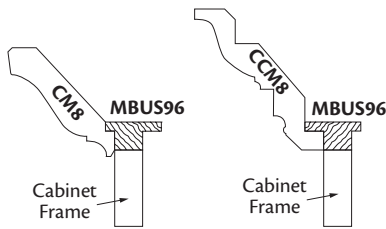
- All finishes supplied as painted or stained hardwood
- Backs are unfinished
- Offered in 8' lengths

◇ BR ◇ LM

## Molding Build-Up Strip



Unfinished Soft Wood  
**MBUS96**  
**MBUS96-6**

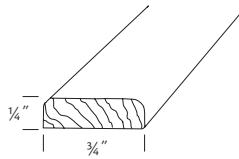


- “V” notch on back of Crown Molding required
- Designed for Crown Molding installation. Allows installer to fasten molding without face nailing
- Offered in 8' lengths
- Offered individually or six per carton

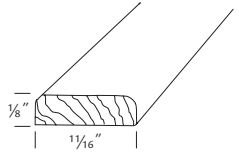
BR

LM

## Narrow Batten Molding



**NBM8**



**NBM8P**

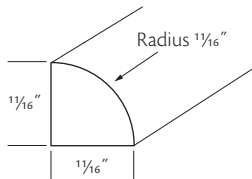
Solid Wood or Paper Wrapped  
**NBM8**  
**NBM8-20**  
 Woodgrain Print  
**NBM8P**  
**NBM8P-20**

- NBM8, NBM8-20: Solid wood painted or stained hardwood, except White and Grey, which are paper wrapped
- NBM8P, NBM8P-20: Available in Clove, Mirage, and Twilight finishes only
- Backs are unfinished
- Offered in 8' lengths
- Offered individually or 20 per carton

☆ BR

☆ LM

## Quarter Round Molding

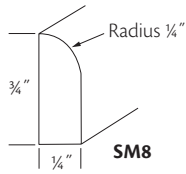


Solid Wood or Paper Wrapped  
**QR8**  
**QR8-10**

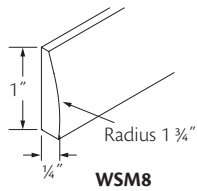
- Can be used to trim between toe kick and floor
- Solid wood, except White and Grey
- White and Grey are paper wrapped
- Available in all Birch finishes
- Birch finishes supplied as painted or stained hardwood
- Backs are unfinished
- Moldings may be shipped with the back corner mitered off
- Offered in 8' lengths
- Offered individually or 10 per carton

◇ BR

◇ LM



SM8



WSM8

## Scribe Molding

*Scribe Molding*  
*Solid Wood or Paper Wrapped*

**SM8**  
**SM8-20**

*Woodgrain Print*  
**SM8P**

**SM8P-20**

*Wide Scribe Molding*  
*Solid Wood or Paper Wrapped*

**WSM8**  
**WSM8-10**

*Woodgrain Print*

**WSM8P**  
**WSM8P-10**

- SM8, SM8-20, WSM8, WSM8-10: Solid wood supplied as painted or stained hardwood, except White and Grey, which are paper wrapped
- SM8P, SM8P-20, WSM8P, WSM8P-10: Available in Clove, Mirage, and Twilight finishes only
- Backs are unfinished
- Offered in 8' lengths
- Offered individually or 10 or 20 per carton

☆ BR ☆ LM

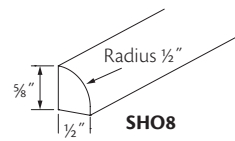
## Shoe Molding

*Solid Wood or Paper Wrapped*

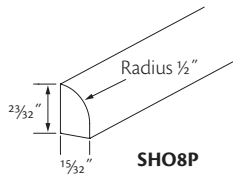
**SHO8**  
**SHO8-25**

*Woodgrain Print*

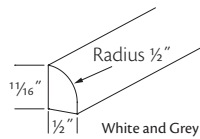
**SHO8P**  
**SHO8P-25**



SHO8



SHO8P



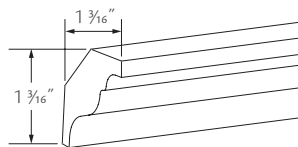
White and Grey

- Used as inside corner molding or trim between toe kick and floor
- SHO8, SHO8-25: Solid wood painted or stained hardwood, except White and Grey, which are paper wrapped
- SHO8P, SHO8P-25: Available in Clove, Mirage, and Twilight finishes only
- Backs are unfinished
- Offered in 8' lengths
- Offered individually or 25 per carton

☆ BR ☆ LM

## Soffit Crown Molding

*Paper Wrapped*  
**SCM8**

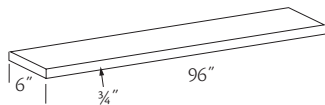


- Available in White and Grey only
- Backs are unfinished
- Allow sufficient space between top of cabinet and soffit or ceiling to accommodate molding
- Offered in 8' lengths

BR ✦ LM

## Solid Wood Stock

*Solid Wood*  
**SWS8** 96" (8 ft.)

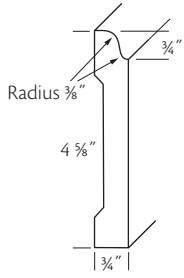


- Grain direction runs lengthwise
- Can be used for valance, filler, shelf or other matching finish, cut-to-size applications
- Finished on both sides and both long edges
- Offered in 8' lengths

✦ BR ✦ LM

### Traditional Furniture Base

Solid Wood  
**TFB8**

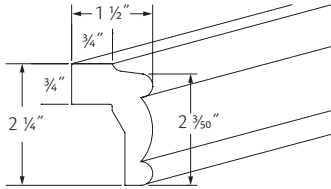


- All finishes supplied as painted or stained hardwood
- Backs are unfinished
- Offered in 8' lengths

◆ BR ◆ LM

### Traditional Light Rail

Solid Wood  
**TLR8**  
**TLR8-6**



- Can be used under wall cabinets to conceal light fixtures
- All finishes supplied as painted or stained hardwood
- Offered in 8' lengths
- Offered individually or six per carton

◆ BR ◆ LM

# Hardware



## Alton Collection

*Pull*  
**PULL4068MN** Matte Nickel 1 1/4" center

• Metric thread screws included



## Amelia Collection

*Knob*  
**KNOB4034ORB** Oil Rubbed Bronze  
**KNOB4034SN** Satin Nickel

• Standard thread screws included

*Pull*  
**PULL4035ORB** Oil Rubbed Bronze 3 3/4" center  
**PULL4035SN** Satin Nickel 3 3/4" center  
**PULL4036ORB** Oil Rubbed Bronze 6 5/16" center  
**PULL4036SN** Satin Nickel 6 5/16" center



## Boston Collection

*Pull*  
**PULL4039BN** Brushed Nickel 3 3/4" center  
**PULL4040BN** Brushed Nickel 5 1/16" center  
**PULL4041BN** Brushed Nickel 7 9/16" center

• Metric thread screws included



## Brexler Collection

*Knob*  
**KNOB4016DORB** Dark Oil Rubbed Bronze  
**KNOB4015SS** Stainless Steel

• Metric thread screws included



## Canyon Collection

*Knob*  
**KNOB4008DORB** Dark Oil Rubbed Bronze

• Metric thread screws included



## Cypress Collection

*Knob*  
**KNOB4058ORB** Oil Rubbed Bronze  
*Pull*  
**PULL4057ORB** Oil Rubbed Bronze 3" center

• Standard thread screws included

### Dodson Collection



*Knob*  
**KNOB4006MN** Matte Nickel

• Metric thread screws included

### Driscoll Collection



*Knob*  
**KNOB4065SN** Satin Nickel  
*Pull*  
**PULL4066SN** Satin Nickel 5 1/16" center

• Standard thread screws included

### Elle Collection



*Pull*  
**PULL4052PC** Polished Chrome 3 3/4" center

• Metric thread screws included

### Flex Collection



*Standard Pull*  
**PULL4052MB** Matte Black 3 3/4" center  
**PULL4053MB** Matte Black 5 1/16" center  
**PULL4054MB** Matte Black 7 9/16" center  
*Appliance Pull*  
**PULL4055MB** Matte Black 11 5/16" center

• Metric thread screws included

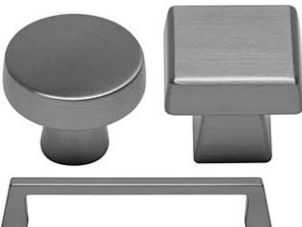
### Halifax Collection



*Pull*  
**PULL4061BBS** Brushed Brass 3 3/4" center  
**PULL4061MB** Matte Black 3 3/4" center  
**PULL4061PC** Polished Chrome 3 3/4" center  
**PULL4061SS** Stainless Steel 3 3/4" center  
**PULL4062BBS** Brushed Brass 5 1/16" center  
**PULL4062MB** Matte Black 5 1/16" center  
**PULL4062PC** Polished Chrome 5 1/16" center  
**PULL4062SS** Stainless Steel 5 1/16" center  
**PULL4063BBS** Brushed Brass 7 9/16" center  
**PULL4063MB** Matte Black 7 9/16" center  
**PULL4063PC** Polished Chrome 7 9/16" center  
**PULL4063SS** Stainless Steel 7 9/16" center  
**PULL4064BBS** Brushed Brass 8 13/16" center  
**PULL4064MB** Matte Black 8 13/16" center  
**PULL4064PC** Polished Chrome 8 13/16" center  
**PULL4064SS** Stainless Steel 8 13/16" center

• Metric thread screws included

### Keene Collection



*Round Knob*  
**KNOB4048BLB** Black Bronze  
**KNOB4048SN** Satin Nickel  
*Square Knob*  
**KNOB4047BLB** Black Bronze  
**KNOB4047SN** Satin Nickel  
*Standard Pull*  
**PULL4049BLB** Black Bronze 3" center  
**PULL4049SN** Satin Nickel 3" center  
**PULL4050BLB** Black Bronze 6 5/16" center  
**PULL4050SN** Satin Nickel 6 5/16" center  
*Appliance Pull*  
**PULL4051BLB** Black Bronze 12" center  
**PULL4051SN** Satin Nickel 12" center

• Standard thread screws included

**Keystone Collection**

*Pull*  
**PULL4003SN** Satin Nickel 3 3/4" center

- Standard thread screws included

**Mallard Collection**

*Cup Pull*  
**PULL4060DORB** Dark Oil Rubbed Bronze 3 1/8" center  
**PULL4060MN** Matte Nickel 3 1/8" center

- Metric thread screws included

**Meridian Collection**

*Knob*  
**KNOB4056BLN** Black Nickel  
**KNOB4056DORB** Dark Oil Rubbed Bronze  
**KNOB4056MB** Matte Black  
**KNOB4056MC** Matte Chrome  
**KNOB4056PC** Polished Chrome  
**KNOB4056SS** Stainless Steel

- Standard thread screws included

*Grey color coding indicates new product, size or code.*

**Metropolitan Collection**

*Pull*  
**PULL4011SS** Stainless Steel 2 1/2" center  
**PULL4012SS** Stainless Steel 3 3/4" center  
**PULL4013SS** Stainless Steel 5 1/16" center  
**PULL4014SS** Stainless Steel 8 13/16" center

- Metric thread screws included

**Montreal Collection**

*Pull*  
**PULL4005SS** Stainless Steel 3 3/4" center

- Metric thread screws included

**Oasis Collection**

*Pull*  
**PULL4059BLN** Black Nickel 5 1/16" center  
**PULL4059MN** Matte Nickel 5 1/16" center

- Metric thread screws included

**Ogden Collection**

*Pull*  
**PULL4001ORB** Oil Rubbed Bronze 3 3/4" center

- Metric thread screws included

**Porter Collection**

*Cup Pull*  
**PULL4000ORB** Oil Rubbed Bronze 2 1/2" center

- Metric thread screws included

**Quinn Collection**

*Pull*  
**PULL4004SN** Satin Nickel 1/16" center

- Metric thread screws included

### Sloan Collection



*Pull*

|                    |                   |                |
|--------------------|-------------------|----------------|
| <b>PULL4026BN</b>  | Brushed Nickel    | 3 1/2" center  |
| <b>PULL4026ORB</b> | Oil Rubbed Bronze | 3 1/2" center  |
| <b>PULL4026PC</b>  | Polished Chrome   | 3 1/2" center  |
| <b>PULL4027BN</b>  | Brushed Nickel    | 5 1/16" center |
| <b>PULL4027ORB</b> | Oil Rubbed Bronze | 5 1/16" center |
| <b>PULL4027PC</b>  | Polished Chrome   | 5 1/16" center |
| <b>PULL4028BN</b>  | Brushed Nickel    | 6 5/16" center |
| <b>PULL4028ORB</b> | Oil Rubbed Bronze | 6 5/16" center |
| <b>PULL4028PC</b>  | Polished Chrome   | 6 5/16" center |
| <b>PULL4029BN</b>  | Brushed Nickel    | 7 9/16" center |
| <b>PULL4029ORB</b> | Oil Rubbed Bronze | 7 9/16" center |
| <b>PULL4029PC</b>  | Polished Chrome   | 7 9/16" center |

• Metric thread screws included

### Stockton Collection



*Knob*

**KNOB4022PWCP** Pewter & Copper

• Metric thread screws included

*Pull*

**PULL4023PWCP** Pewter & Copper 3 3/4" center

### Suitcase Collection



*Pull*

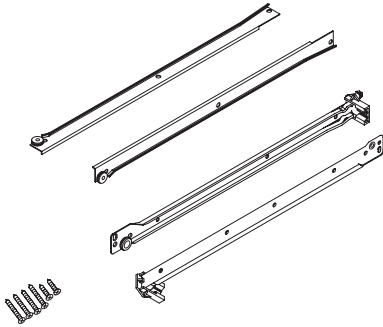
|                     |                       |               |
|---------------------|-----------------------|---------------|
| <b>PULL4024DORB</b> | Dark Oil Rubbed Bronz | 3 3/4" center |
| <b>PULL4024MN</b>   | Matte Nickel          | 3 3/4" center |
| <b>PULL4024PN</b>   | Polished Nickel       | 3 3/4" center |

• Metric thread screws included

**Notes**

# Replacement Hardware

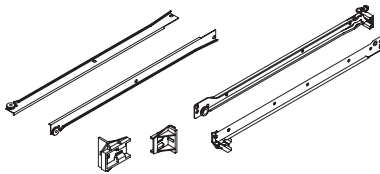
## 3/4 Extension Side Mount Roller Guide Kit



**GDESM18KIT**  
**GDESM21KIT**  
**GDESM24KIT**

- 75 lbs. capacity
- White epoxy coated steel
- Kit includes left and right guides and mounting hardware
- 18 deep used on 18" deep cabinets
- 21 deep used on 21" deep cabinets
- 24 deep used on 24" deep cabinets

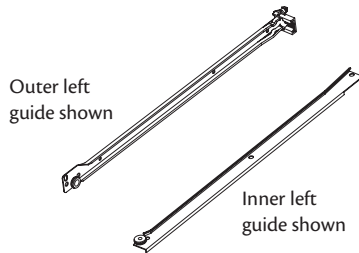
## 3/4 Extension Side Mount Roller Guide Peninsula Base Kit



**GDESMPB24KIT**

- 75 lbs. capacity
- White epoxy coated steel
- Kit includes left and right guides and mounting hardware
- Used on Peninsula Base cabinets

## 3/4 Extension Side Mount Roller Guides



*Inner Left*  
**GDESMIL18**  
**GDESMIL18-10**  
**GDESMIL21**  
**GDESMIL21-10**  
**GDESMIL24**  
**GDESMIL24-10**

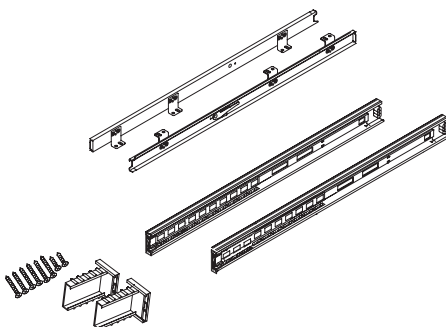
*Inner Right*  
**GDESMIR18**  
**GDESMIR18-10**  
**GDESMIR21**  
**GDESMIR21-10**  
**GDESMIR24**  
**GDESMIR24-10**

*Outer Left*  
**GDESMOL18**  
**GDESMOL18-10**  
**GDESMOL21**  
**GDESMOL21-10**  
**GDESMOL24**  
**GDESMOL24-10**

*Outer Right*  
**GDESMOR18**  
**GDESMOR18-10**  
**GDESMOR21**  
**GDESMOR21-10**  
**GDESMOR24**  
**GDESMOR24-10**

- 75 lbs. capacity
- White epoxy coated steel
- 18 deep used on 18" deep cabinets
- 21 deep used on 21" deep cabinets
- 24 deep used on 24" deep cabinets
- Offered individually or 10 per carton

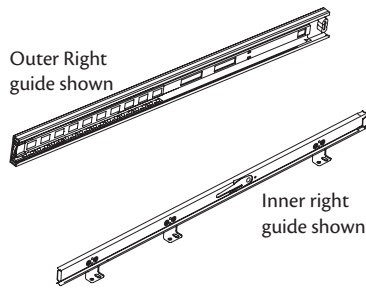
## Full Extension Side Mount Ball Bearing Guide Kit



*21" Deep*  
**GDEFESMBB21KIT**  
*24" Deep*  
**GDEFESMBB24KIT**

- 75 lbs. capacity
- 21 deep used on 21" deep cabinets
- 24 deep used on 24" deep cabinets
- Full-extension guide, pulls out past the face frame
- Kit includes left and right guides and mounting hardware

### Full Extension Side Mount Ball Bearing Guides



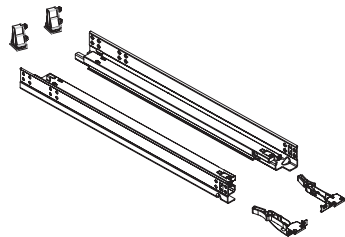
*Inner Left*  
**GDEFESMBBIL21**  
**GDEFESMBBIL21-10**  
**GDEFESMBBIL24**  
**GDEFESMBBIL24-10**

*Outer*  
**GDEFESMBO21**  
**GDEFESMBO21-10**  
**GDEFESMBO24**  
**GDEFESMBO24-10**

*Inner Right*  
**GDEFESMBBIR21**  
**GDEFESMBBIR21-10**  
**GDEFESMBBIR24**  
**GDEFESMBBIR24-10**

- 75 lbs. capacity
- Full-extension guide, pulls out past the face frame
- 21 deep used on 21" deep cabinets
- 24 deep used on 24" deep cabinets
- Offered individually or 10 per carton

### Full Extension Under Mount Soft-Close Guide Kit



**GDEUMFESA18KIT**  
**GDEUMFESA21KIT**  
**GDEUMFESA24KIT**

- 75 lbs. capacity
- Full-extension guide, pulls out past the face frame
- Integrated soft-closing mechanism
- Kit includes left and right guides and mounting hardware
- 18 deep used on 18" deep cabinets
- 21 deep used on 21" deep cabinets
- 24 deep used on 24" deep cabinets

### Full Extension Under Mount Soft-Close Guides

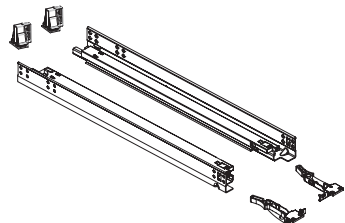


*Left*  
**GDEUMFESAL18**  
**GDEUMFESAL21**  
**GDEUMFESAL24**

*Right*  
**GDEUMFESAR18**  
**GDEUMFESAR21**  
**GDEUMFESAR24**

- 75 lbs. capacity
- Full-extension guide, pulls out past the face frame
- Integrated soft-closing mechanism
- 18 deep used on 18" deep cabinets
- 21 deep used on 21" deep cabinets
- 24 deep used on 24" deep cabinets

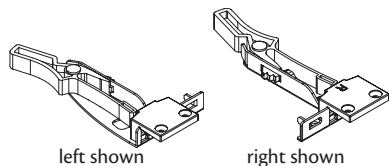
### Full Extension Under Mount Soft-Close Peninsula Base Guide Kit



**GDEUMFESAPB24KIT**

- 75 lbs. capacity
- Full-extension guide, pulls out past the face frame
- Integrated soft-closing mechanism
- 24 deep used on 24" deep cabinets

### Locking Device - Full Extension Under Mount Soft-Close Guides



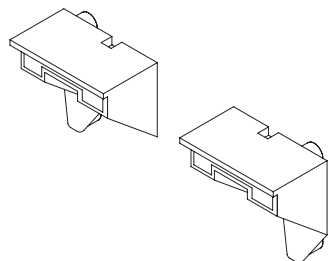
*Left*  
**LKDVUMFESAGDEL**

*Right*  
**LKDVUMFESAGDER**

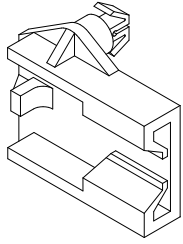
- LKDVUMFESAGDEL attaches under left front corner of drawer core
- LKDVUMFESAGDER attaches under right front corner of drawer core

### Rear Mounting Bracket Set

**RPLRMTGBRKT\_BWBTSET**



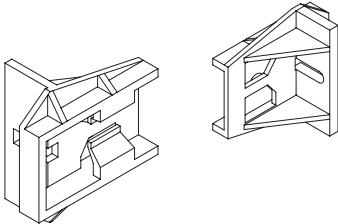
- Rear mounting bracket for the Base Wastebasket Top Mount; includes right & left brackets



### Rear Mounting Bracket - 3/4 Extension Side Mount Roller Guides

**RMBSMGDE**  
**RMBSMGDE-25**

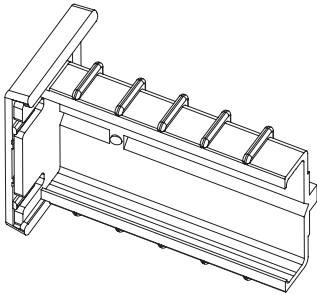
- Attaches using the guide holes in the back of the cabinet
- For use with 3/4 Extension Side Mount Roller Guides
- Offered individually or 25 per carton



### Rear Mounting Bracket - 3/4 Extension Side Mount Roller Guides Peninsula Base

**RMBSMGDEPB**  
**RMBSMGDEPB-2**

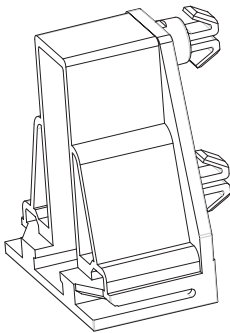
- Attaches to back frame of cabinet using a screw
- For use with Peninsula Base cabinets with 3/4 Extension Side Mount Roller Guides
- Offered individually or two per carton



### Rear Mounting Bracket - Full Extension Side Mount Ball Bearing Guides

**RMBFESMBBGDE**

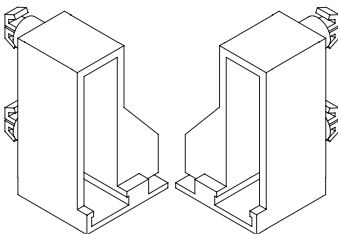
- Attaches using the guide holes in the back of the cabinet



### Rear Mounting Bracket - Full Extension Under Mount Soft-Close Guides

**RMBUMFESAGDE-2**

- Attaches using the guide holes in the back of the cabinet
- Sold in pairs

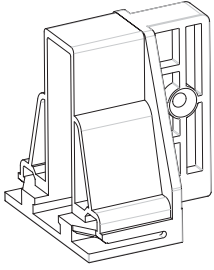


### Rear Mounting Bracket - Full Extension Under Mount Soft-Close Guides DKD

**RMBUMFESAGDEDKDSET**

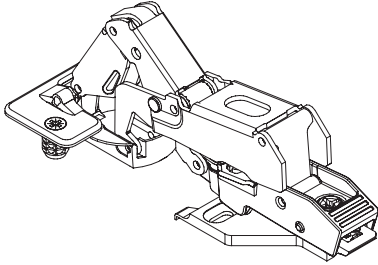
- Attaches using the guide holes in the back of the cabinet
- Includes a left and right rear mounting bracket

**Rear Mounting Bracket - Full Extension Under Mount Soft-Close Guides Peninsula Base**  
**RMBUMFESAGDEPB-2**



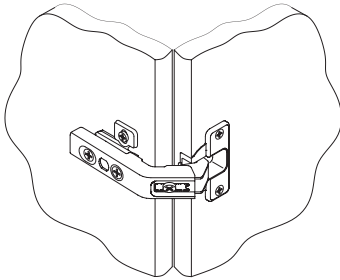
- Attaches to back frame of cabinet using a screw
- Sold in pairs

**170 Degree Hinge**  
**HINFRM2DRBIFOLD**



- Nickel plated finish
- Includes hinge and mounting plate
- Used on partial and full overlay Base Corner Revolving and Base Corner Fixed Shelf cabinets

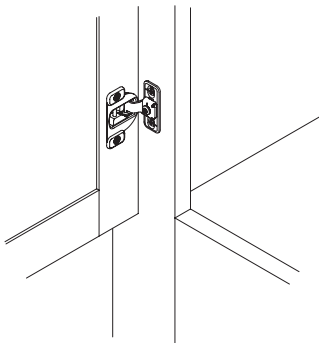
**Bi-Fold Hinge**  
**HINDR2DRBIFOLD**



- Nickel plated finish
- Includes hinge and mounting plate
- Used on partial and full overlay Base Corner Revolving and Base Corner Fixed Shelf cabinets

**Face Mount Hinge**

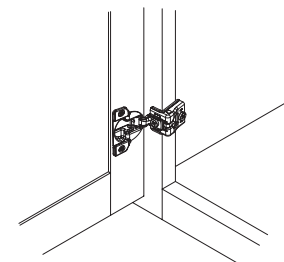
*SoftAction functionality*  
**HINSCFM-1PR**  
**HINSCFM-10PR**



- Nickel plated finish
- Used on Oven Cabinet Universal and Wall Microwave cabinets
- Offered as a pair or 10 pairs per carton

**Full Overlay 6 Way Hinge**

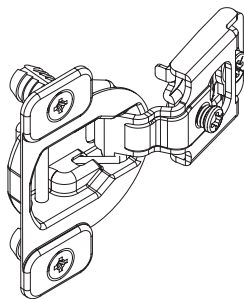
*SoftAction functionality*  
**HINSCFOL6WY-1PR**  
**HINSCFOL6WY-10PR**



- Nickel plated finish
- 6 way door adjustment
- Includes hinges and mounting screws
- Used on full overlay cabinets
- Offered as a pair or 10 pairs per carton

### Partial Overlay 6 Way Hinge

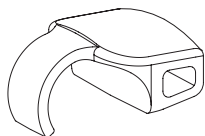
*SoftAction functionality*  
**HINACTOL6WY-1PR**  
**HINACTOL6WY-10PR**



- Nickel plated finish
- 6 way door adjustment
- Includes hinges and mounting screws
- Used on partial overlay cabinets
- Offered as a pair or 10 pairs per carton

### Soft-close Angle Restrictor Clip

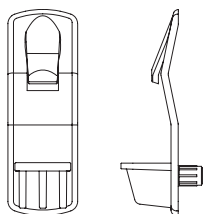
**SCARC-4**  
**SCARC-10**



- Reduces opening angle to 85°
- Works with soft-close hinge on partial and full overlay door styles
- Unable to be used in cabinets that are installed with accessories, such as trays
- Offered in four or 10 per carton

### Shelf Clips

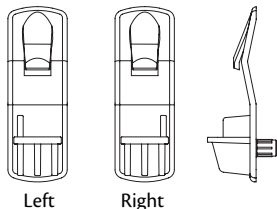
*3/4" Shelf Clip*  
**SHCLP34**  
**SHCLP34-20**  
**SHCLP34-100**



- Clear plastic locking clip
- Offered individually or in quantities of 10 or 100

### Shelf Clip with Stop

*3/4" Shelf Clip, Left*  
**SHCLPLK34L**  
**SHCLPLK34L-20**  
*3/4" Shelf Clip, Right*  
**SHCLPLK34R**  
**SHCLPLK34R-20**



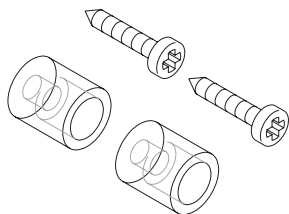
Left

Right

- Clear plastic locking clip with front edge restraint
- Used for base cabinets with Half Depth Shelf Option
- Offered individually or 20 per carton

### Shelf Support Back Pack

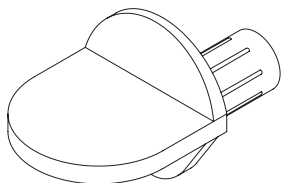
**SHSUPBPK**  
**SHSUPBPK-100**



- Clear plastic shelf support back
- Includes 2 supports and 2 screws per pack
- Used to support the back edge of shelf, attaches to back of cabinet with a screw
- Offered individually or quantities of 100 per carton

### Shelf Support Center

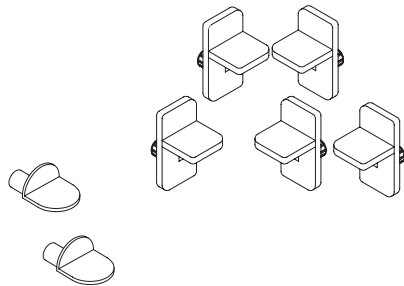
**SHSUPC**  
**SHSUPC-10**



- Clear plastic center shelf support
- Used to support the front edge of shelf, insert into hole in back of center stile
- Offered individually or 10 per carton

**Shelf Support Pack**

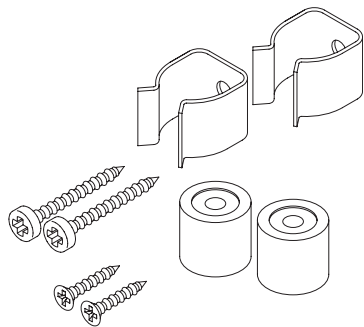
**SHSUPPK  
SHSUPPK-25**



- Clear plastic shelf support/center shelf support
- Includes 5 supports and 2 center shelf support
- Used in Bookcase cabinets
- Offered individually or 25 per carton

**Vent Clip Pack**

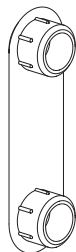
**VNTCLPPK  
VNTCLPPK-25**



- Used to attach false drawer fronts on Sink Base and select Vanity Cabinets
- Includes two clips, two post and mounting screws per pack
- Offered individually or 25 per carton

**Back Plugs**

**BACKPLUG2H-10  
BACKPLUG2H-100**



- Clear plastic plugs for base and vanity cabinet back panel factory drilled holes
- Each plug fills a pair of 10 mm holes
- Offered in quantities of 10 or 100

**Installation Screws**

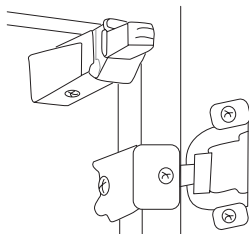
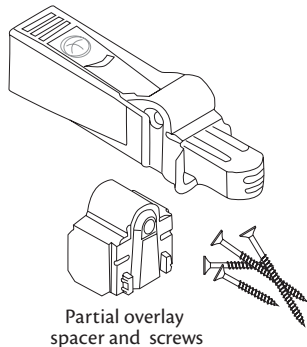
**INSTALLSCREWS-100**



- Used to secure cabinets to the wall and face frames together
- Offered in quantities of 100

**Soft-Close Door Hardware**

**SADO**



- Soft-closing technology provides smooth and silent closure of door
- One required per door; U, and UF cabinets require two
- Mounting hardware included

## Accessory Hinged Prep for Glass Door Information

Example for ordering Accessory Hinged Prep for Glass Doors: **Model + Options**

| Model    | Hinging | Code | Glass Door | Code              |
|----------|---------|------|------------|-------------------|
| AHDO1830 | Left    | L    | Left       | (SKU:AHDO1830LPG) |
| AHDO1830 | Right   | R    | Right      | (SKU:AHDO1830RPG) |

- Accessory Hinged Prep for Glass Door is available in select door styles and sizes. See informational chart for quantities needed for each cabinet
- Unless ordered as a Case Only (CSO), cabinets intending to receive Prep for Glass (PG) doors will ship with original, non-glass doors. If original non-glass doors are **not** required, cabinets should be ordered as Case Only (CSO) with the appropriate Prep for Glass (PG) size to be installed in the field
- Partial overlay available in Collins and Colony door styles only
- Full overlay available in Wesley door style only

| Cabinet    | Prep for Glass Accessory Door | Partial Overlay Size | Full Overlay Size |
|------------|-------------------------------|----------------------|-------------------|
| BK1530     | AHDO1530                      | 13 1/4 x 28          | 14 5/8 x 29 1/4   |
| BK1536     | AHDO1536                      | 13 1/4 x 34          | 14 5/8 x 35 1/4   |
| BK1542     | AHDO1542                      | 13 1/4 x 40          | 14 5/8 x 41 1/4   |
| BK1830     | AHDO1830                      | 16 1/4 x 28          | 17 5/8 x 29 1/4   |
| BK1836     | AHDO1836                      | 16 1/4 x 34          | 17 5/8 x 35 1/4   |
| BK1842     | AHDO1842                      | 16 1/4 x 40          | 17 5/8 x 41 1/4   |
| BK2130     | AHDO2130                      | 19 1/4 x 28          | 20 5/8 x 29 1/4   |
| BK2136     | AHDO2136                      | 19 1/4 x 34          | 20 5/8 x 35 1/4   |
| BK2142     | AHDO2142                      | 19 1/4 x 40          | 20 5/8 x 41 1/4   |
| BK2430     | AHDO2430                      | 22 1/4 x 28          | 23 5/8 x 29 1/4   |
| BK2436     | AHDO2436                      | 22 1/4 x 34          | 23 5/8 x 35 1/4   |
| BK2442     | AHDO2442                      | 22 1/4 x 40          | 23 5/8 x 41 1/4   |
| BK3030+    | AHDO3030B                     | 14 1/16 x 28         | 14 3/4 x 29 1/4   |
| BK3036+    | AHDO3036B                     | 14 1/16 x 34         | 14 3/4 x 35 1/4   |
| BK3042+    | AHDO3042B                     | 14 1/16 x 40         | 14 3/4 x 41 1/4   |
| BK3630+    | AHDO3630B                     | 17 1/16 x 28         | 17 3/4 x 29 1/4   |
| BK3636+    | AHDO3636B                     | 17 1/16 x 34         | 17 3/4 x 35 1/4   |
| BK3642+    | AHDO3642B                     | 17 1/16 x 40         | 17 3/4 x 41 1/4   |
| BK3030D+   | AHDO1530                      | 13 1/4 x 28          | 14 5/8 x 29 1/4   |
| BK3036D+   | AHDO1536                      | 13 1/4 x 34          | 14 5/8 x 35 1/4   |
| BK3042D+   | AHDO1542                      | 13 1/4 x 40          | 14 5/8 x 41 1/4   |
| BK3630D+   | AHDO1830                      | 16 1/4 x 28          | 17 5/8 x 29 1/4   |
| BK3636D+   | AHDO1836                      | 16 1/4 x 34          | 17 5/8 x 35 1/4   |
| BK3642D+   | AHDO1842                      | 16 1/4 x 40          | 17 5/8 x 41 1/4   |
| OCU3096*+  | AHDO1530                      | 13 1/4 x 28          | 14 5/8 x 29 1/4   |
| OCU3096B*+ | AHDO3030B                     | 14 1/16 x 28         | 14 3/4 x 29 1/4   |
| OCU3396*+  | AHDO3330                      | 14 3/4 x 28          | 16 1/8 x 29 1/4   |
| U1596*     | AHDO1530                      | 13 1/4 x 28          | 14 5/8 x 29 1/4   |
| U159624*   | AHDO1530                      | 13 1/4 x 28          | 14 5/8 x 29 1/4   |
| U1896*     | AHDO1830                      | 16 1/4 x 28          | 17 5/8 x 29 1/4   |
| U189624*   | AHDO1830                      | 16 1/4 x 28          | 17 5/8 x 29 1/4   |
| U2496*     | AHDO2430                      | 22 1/4 x 28          | 23 5/8 x 29 1/4   |
| U249624*   | AHDO2430                      | 22 1/4 x 28          | 23 5/8 x 29 1/4   |
| U3096*+    | AHDO1530                      | 13 1/4 x 28          | 14 5/8 x 29 1/4   |
| U309624*+  | AHDO1530                      | 13 1/4 x 28          | 14 5/8 x 29 1/4   |
| U3096B*+   | AHDO3030B                     | 14 1/16 x 28         | 14 3/4 x 29 1/4   |
| U309624B*+ | AHDO3030B                     | 14 1/16 x 28         | 14 3/4 x 29 1/4   |
| U3696*+    | AHDO1830                      | 16 1/4 x 28          | 17 5/8 x 29 1/4   |
| U369624*+  | AHDO1830                      | 16 1/4 x 28          | 17 5/8 x 29 1/4   |
| U369624B*+ | AHDO3630B                     | 17 1/16 x 28         | 17 3/4 x 29 1/4   |
| U3696B*+   | AHDO3630B                     | 17 1/16 x 28         | 17 3/4 x 29 1/4   |
| W1530      | AHDO1530                      | 13 1/4 x 28          | 14 5/8 x 29 1/4   |
| W1536      | AHDO1536                      | 13 1/4 x 34          | 14 5/8 x 35 1/4   |
| W1542      | AHDO1542                      | 13 1/4 x 40          | 14 5/8 x 41 1/4   |

\* = Top Door Only      + = Order 2 for cabinet

| Cabinet      | Prep for Glass Accessory Door | Partial Overlay Size | Full Overlay Size |
|--------------|-------------------------------|----------------------|-------------------|
| W1830        | AHDO1830                      | 16 1/4 x 28          | 17 5/8 x 29 1/4   |
| W1836        | AHDO1836                      | 16 1/4 x 34          | 17 5/8 x 35 1/4   |
| W1842        | AHDO1842                      | 16 1/4 x 40          | 17 5/8 x 41 1/4   |
| W2130        | AHDO2130                      | 19 1/4 x 28          | 20 5/8 x 29 1/4   |
| W2136        | AHDO2136                      | 19 1/4 x 34          | 20 5/8 x 35 1/4   |
| W2142        | AHDO2142                      | 19 1/4 x 40          | 20 5/8 x 41 1/4   |
| W2430        | AHDO2430                      | 22 1/4 x 28          | 23 5/8 x 29 1/4   |
| W2436        | AHDO2436                      | 22 1/4 x 34          | 23 5/8 x 35 1/4   |
| W2442        | AHDO2442                      | 22 1/4 x 40          | 23 5/8 x 41 1/4   |
| W3030+       | AHDO1530                      | 13 1/4 x 28          | 14 5/8 x 29 1/4   |
| W3030B+      | AHDO3030B                     | 14 1/16 x 28         | 14 3/4 x 29 1/4   |
| W3036+       | AHDO1536                      | 13 1/4 x 34          | 14 5/8 x 35 1/4   |
| W3036B+      | AHDO3036B                     | 14 1/16 x 34         | 14 3/4 x 35 1/4   |
| W3042+       | AHDO1542                      | 13 1/4 x 40          | 14 5/8 x 41 1/4   |
| W3042B+      | AHDO3042B                     | 14 1/16 x 40         | 14 3/4 x 41 1/4   |
| W3330+       | AHDO3330                      | 14 3/4 x 28          | 16 1/8 x 29 1/4   |
| W3336+       | AHDO3336                      | 14 3/4 x 34          | 16 1/8 x 35 1/4   |
| W3342+       | AHDO3342                      | 14 3/4 x 40          | 16 1/8 x 41 1/4   |
| W3630+       | AHDO1830                      | 16 1/4 x 28          | 17 5/8 x 29 1/4   |
| W3630B+      | AHDO3630B                     | 17 1/16 x 28         | 17 3/4 x 29 1/4   |
| W3636+       | AHDO1836                      | 16 1/4 x 34          | 17 5/8 x 35 1/4   |
| W3636B+      | AHDO3636B                     | 17 1/16 x 34         | 17 3/4 x 35 1/4   |
| W3642+       | AHDO1842                      | 16 1/4 x 40          | 17 5/8 x 41 1/4   |
| W3642B+      | AHDO3642B                     | 17 1/16 x 40         | 17 3/4 x 41 1/4   |
| W4230+       | AHDO2130                      | 19 1/4 x 28          | 20 5/8 x 29 1/4   |
| W4236+       | AHDO2136                      | 19 1/4 x 34          | 20 5/8 x 35 1/4   |
| W4242+       | AHDO2142                      | 19 1/4 x 40          | 20 5/8 x 41 1/4   |
| W4830+       | AHDO2430                      | 22 1/4 x 28          | 23 5/8 x 29 1/4   |
| WA2430       | AHDO1530WA                    | Use AHDO3330         | 14 5/8 X 29 1/4   |
| WA2430       | AHDO3330                      | 14 3/4 x 28          | Use AHDO1530WA    |
| WA2436       | AHDO1536WA                    | Use AHDO3336         | 14 5/8 x 35 1/4   |
| WA2436       | AHDO3336                      | 14 3/4 x 34          | Use AHDO1536WA    |
| WA2442       | AHDO1542WA                    | Use AHDO3342         | 14 5/8 x 41 1/4   |
| WA2442       | AHDO3342                      | 14 3/4 x 40          | Use AHDO1542WA    |
| WA2730       | AHDO1530WA                    | Use AHDO3330         | 14 5/8 X 29 1/4   |
| WA2730       | AHDO3330                      | 14 3/4 x 28          | Use AHDO1530WA    |
| WA2736       | AHDO1536WA                    | Use AHDO3336         | 14 5/8 x 35 1/4   |
| WA2736       | AHDO3336                      | 14 3/4 x 34          | Use AHDO1536WA    |
| WA2742       | AHDO1542WA                    | Use AHDO3342         | 14 5/8 x 41 1/4   |
| WA2742       | AHDO3342                      | 14 3/4 x 40          | Use AHDO1542WA    |
| WBC30/3330BL | AHDO3330                      | 14 3/4 x 28          | 16 1/8 x 29 1/4   |
| WBC30/3330BR | AHDO3330                      | 14 3/4 x 28          | 16 1/8 x 29 1/4   |
| WBC30/3336BL | AHDO3336                      | 14 3/4 x 34          | 16 1/8 x 35 1/4   |
| WBC30/3336BR | AHDO3336                      | 14 3/4 x 34          | 16 1/8 x 35 1/4   |
| WBC30/3342BL | AHDO3342                      | 14 3/4 x 40          | 16 1/8 x 41 1/4   |
| WBC30/3342BR | AHDO3342                      | 14 3/4 x 40          | 16 1/8 x 41 1/4   |

\* = Top Door Only      + = Order 2 for cabinet

Replacement Parts

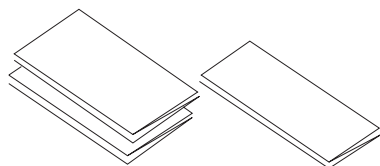
# Touch Up Materials

## Cabinet Care Kit CCK



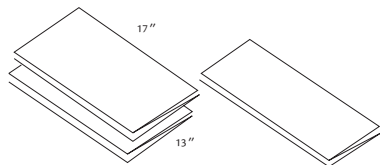
- One 8 oz. squeeze bottle of concentrated wood cleaner
- One 8 oz. squeeze bottle of cabinet/furniture polish and restorer
- Two 13" x 12" cleaning and polishing cloths
- One 17" x 13" dusting cloth
- Direct ship program

## Cabinet Cleaning and Polishing Cloths CCPC



- 13" x 12" cleaning and polishing cloths
- 25 per carton
- Direct ship program

## Cabinet Dusting Cloths CDC



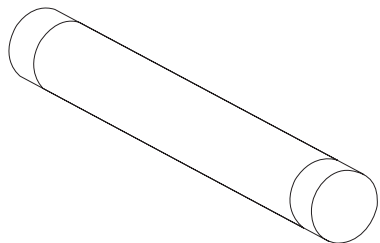
- Treated to pick up and hold dust within cloth
- Six per carton
- Direct ship program

## Cabinet Repair Kit CRK



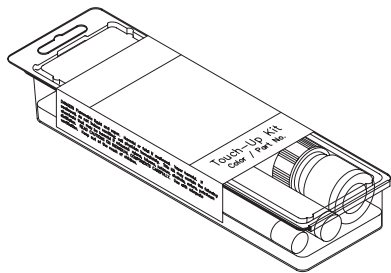
- Repairs: scratches and chipped areas, open joints, cracks, cavities, finish runs, rough finish, finish edge cut-through, burn marks, spray finish applications, and putty applications
- Kit includes one of each: 13 oz. can Touch-up Primer, 13 oz. can Touch-up Topcoat, 4 oz. can soft putty, 1 oz. tube SeamFil, Touch-up Marker, Fill Stick, 220x sandpaper, and instruction sheet
- Available in Cotton, Shale, Grey and White only

## Fill Stick FS FS-12



- Matching putty crayon
- Offered individually or 12 per carton

**Touch Up Kit  
TUK**



- Used for final touch up and detailing
- Kit includes Touch Up Pen, Fill Stick, a bottle of touch up topcoat and a plastic storage case

---

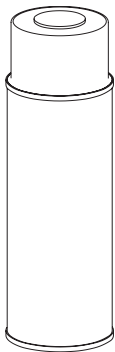
**Touch Up Pen  
TP  
TP-12**



- Felt tip marker with matching stain or paint
- Offered individually or 12 per carton

---

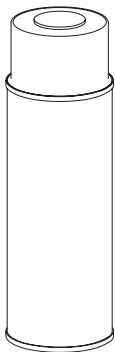
**Touch Up Spray Can Primer  
TSCP  
TSCP-12**



- Touch up top coat paint for Cotton, Shale, Grey and White finishes
- White primer will be shipped for Cotton and Shale paints
- For use with Touch Up Spray Can Topcoat
- 13 oz. aerosol spray can
- Direct ship program
- Offered individually or 12 per carton

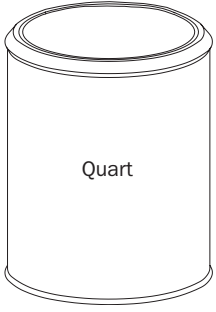
---

**Touch Up Spray Can Topcoat  
TSCT  
TSCT-12**



- Touch up top coat paint for Cotton, Shale, Grey and White finishes
- Color specific topcoat will be shipped
- For use with Touch Up Spray Can Primer
- 13 oz. aerosol spray can
- Direct ship program
- Offered individually or 12 per carton

### Touch Up Quart



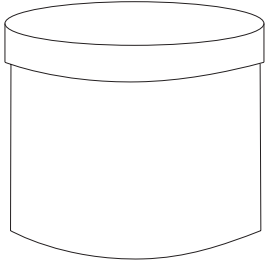
Stain  
**QST**  
Paint  
**QP**  
Clear Sealer/  
Topcoat  
**QCST**

- Matching stain, paint, and clear sealer/topcoat
- Available in quarts only
- Direct ship program

---

### Putty

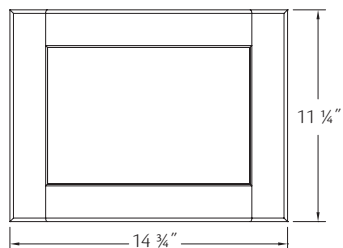
**PUTTY**



- 4 oz. jar
- Available in Cotton, Shale, Grey and White only

# Sales Doors

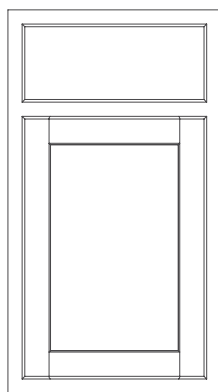
## Sales Door SLDO14.75X11.25



- Available in all door styles, species and finishes
- Door and drawer front sizes vary depending on full or partial overlay

## Vanity Front Sample

VF12  
VF15



- Available in all door styles, species and finishes
- Includes face frame, door and drawer front from a VB12 or VB15 Vanity cabinet

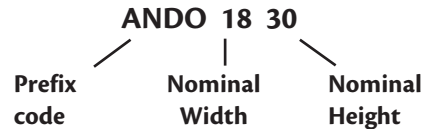
## How to Use This Section

This guide details how to understand the accessory door(s), replacement door(s) and drawer front nomenclature. To choose doors and drawer fronts for special decorative applications, use the Sizes section and look in the appropriate overlay column to determine which doors and drawer fronts are needed. Then look up the door(s) and drawer front(s) in the Price List catalog under the price column number appropriate to your door style.

### Accessory Non-Drilled Door Information (ANDO)

Accessory non-drilled doors are not prepared for hinges.

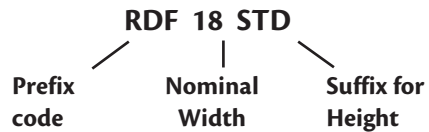
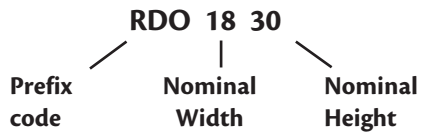
Accessory non-drilled doors are coded for easy reference. The prefix indicates door and usage. The first two digits indicate nominal width and the second two digits indicate nominal height.



### Replacement Door and Drawer Front Information (RDO and RDF)

Replacement doors are prepared for hinges. Replacement doors and drawer fronts are shipped with pliable bumpers attached.

Replacement doors and drawer fronts are coded for easy reference. The prefix indicates door or drawer and usage. For replacement doors the first two digits indicate nominal width and the second two digits indicate nominal height. For replacement drawer fronts the first two digits indicate nominal width and the suffix notes the height.



## Prefix Codes

### Prefix Code Index

|      |                            |
|------|----------------------------|
| ANDO | Accessory Non-Drilled Door |
| RDF  | Replacement Drawer Front   |
| RDO  | Replacement Door           |

### Suffix Code Index

|      |            |
|------|------------|
| B    | Butt door  |
| TALL | Tall Door  |
| WA   | Wall Angle |

### Accessory Non-Drilled Door specific codes are as follows:

|                  |  |
|------------------|--|
| ANDOBCR33        | Accessory non-drilled door for Base Corner Revolving 33              |
| ANDOBCR36        | Accessory non-drilled door for Base Corner Revolving 36              |
| ANDOUBCR36       | Accessory non-drilled door for Universal Base Corner Revolving 36    |
| ANDOWBC24/27(xx) | Accessory non-drilled door for Wall Blind Corner 24/27 (all heights) |

### Replacement Door specific codes are as follows:

|                  |  |
|------------------|--|
| RDO1524BWBT      | Replacement door for Base Wastebasket                          |
| RDO1824BWBT      | Replacement door for Base Wastebasket                          |
| RDOBCR33         | Replacement door for Base Corner Revolving 33                  |
| RDOBCR36         | Replacement door for Base Corner Revolving 36                  |
| RDOSFA36         | Replacement door for Sink Base Angle 36                        |
| RDOSFA42         | Replacement door for Sink Front/Sink Base Angle 42             |
| RDOUBCR36        | Replacement door for Universal Access Base Corner Revolving 36 |
| RDOUBLS          | Replacement door for Universal Access Base Lazy Susan          |
| RDOWBC24/27 (xx) | Replacement door for Wall Blind Corner 24/27 (all heights)     |

### Replacement Drawer Front suffix codes are as follows:

|     |                               |
|-----|-------------------------------|
| DKD | Desk Knee Drawer              |
| STD | 5.500 or 6.125 front height   |
| DP1 | 9.000 or 9.750 front height   |
| DP2 | 10.375 or 11.188 front height |

| ACCESSORY NON-DRILLED DOOR |                  |                 |
|----------------------------|------------------|-----------------|
| PART                       | PARTIAL OVERLAY  | FULL OVERLAY    |
| ANDO927                    | 7 1/4 X 25       | 8 5/8 X 26 1/4  |
| ANDO930                    | 7 1/4 X 28       | 8 5/8 X 29 1/4  |
| ANDO936                    | 7 1/4 X 34       | 8 5/8 X 35 1/4  |
| ANDO942                    | 7 1/4 X 40       | 8 5/8 X 41 1/4  |
| ANDO1221                   | 10 1/4 X 18 1/2  | 11 5/8 X 19 3/4 |
| ANDO1224                   | 10 1/4 X 21 1/2  | 11 5/8 X 22 3/4 |
| ANDO1230                   | 10 1/4 X 28      | 11 5/8 X 29 1/4 |
| ANDO1236                   | 10 1/4 X 34      | 11 5/8 X 35 1/4 |
| ANDO1242                   | 10 1/4 X 40      | 11 5/8 X 41 1/4 |
| ANDO2724                   | 11 3/4 X 21 1/2  | 13 1/8 X 22 3/4 |
| ANDO2730                   | 11 3/4 X 28      | 13 1/8 X 29 1/4 |
| ANDO2736                   | 11 3/4 X 34      | 13 1/8 X 35 1/4 |
| ANDO2742                   | 11 3/4 X 40      | 13 1/8 X 41 1/4 |
| ANDO2721B                  | 12 9/16 X 18 1/2 | 13 1/4 X 19 3/4 |
| ANDO2724B                  | 12 9/16 X 21 1/2 | 13 1/4 X 22 3/4 |
| ANDO2730B                  | 12 9/16 X 28     | 13 1/4 X 29 1/4 |
| ANDO2736B                  | 12 9/16 X 34     | 13 1/4 X 35 1/4 |
| ANDO2742B                  | 12 9/16 X 40     | 13 1/4 X 41 1/4 |
| ANDO1512                   | 13 1/4 X 10      | 14 5/8 X 11 1/4 |
| ANDO1515                   | 13 1/4 X 13      | 14 5/8 X 14 1/4 |
| ANDO1518                   | 13 1/4 X 16      | 14 5/8 X 17 1/4 |
| ANDO1521                   | 13 1/4 X 18 1/2  | 14 5/8 X 19 3/4 |
| ANDO1524                   | 13 1/4 X 21 1/2  | 14 5/8 X 22 3/4 |
| ANDO1527                   | 13 1/4 X 25      | 14 5/8 X 26 1/4 |
| ANDO1530                   | 13 1/4 X 28      | 14 5/8 X 29 1/4 |
| ANDO1536                   | 13 1/4 X 34      | 14 5/8 X 35 1/4 |
| ANDO1542                   | 13 1/4 X 40      | 14 5/8 X 41 1/4 |
| ANDO15TALL                 | 13 1/4 X 60 1/2  | 14 5/8 X 61 1/8 |
| ANDO3012B                  | 14 1/16 X 10     | 14 3/4 X 11 1/4 |
| ANDO3015B                  | 14 1/16 X 13     | 14 3/4 X 14 1/4 |
| ANDO3018B                  | 14 1/16 X 16     | 14 3/4 X 17 1/4 |
| ANDO3021B                  | 14 1/16 X 18 1/2 | 14 3/4 X 19 3/4 |
| ANDO3024B                  | 14 1/16 X 21 1/2 | 14 3/4 X 22 3/4 |
| ANDO3027B                  | 14 1/16 X 25     | 14 3/4 X 26 1/4 |
| ANDO3030B                  | 14 1/16 X 28     | 14 3/4 X 29 1/4 |
| ANDO3036B                  | 14 1/16 X 34     | 14 3/4 X 35 1/4 |
| ANDO3042B                  | 14 1/16 X 40     | 14 3/4 X 41 1/4 |
| ANDO30TALLB                | 14 1/16 X 60 1/2 | 14 3/4 X 61 1/8 |
| ANDO3315                   | 14 3/4 X 13      | 16 1/8 X 14 1/4 |
| ANDO3318                   | 14 3/4 X 16      | 16 1/8 X 17 1/4 |
| ANDO3321                   | 14 3/4 X 18 1/2  | 16 1/8 X 19 3/4 |
| ANDO3324                   | 14 3/4 X 21 1/2  | 16 1/8 X 22 3/4 |
| ANDO3330                   | 14 3/4 X 28      | 16 1/8 X 29 1/4 |
| ANDO3336                   | 14 3/4 X 34      | 16 1/8 X 35 1/4 |
| ANDO3342                   | 14 3/4 X 40      | 16 1/8 X 41 1/4 |
| ANDO1812                   | 16 1/4 X 10      | 17 5/8 X 11 1/4 |
| ANDO1815                   | 16 1/4 X 13      | 17 5/8 X 14 1/4 |

| ACCESSORY NON-DRILLED DOOR (continued) |                  |                   |
|--|------------------|-------------------|
| PART                                   | PARTIAL OVERLAY  | FULL OVERLAY      |
| ANDO1818                               | 16 1/4 X 16      | 17 5/8 X 17 1/4   |
| ANDO1821                               | 16 1/4 X 18 1/2  | 17 5/8 X 19 3/4   |
| ANDO1824                               | 16 1/4 X 21 1/2  | 17 5/8 X 22 3/4   |
| ANDO1827                               | 16 1/4 X 25      | 17 5/8 X 26 1/4   |
| ANDO1830                               | 16 1/4 X 28      | 17 5/8 X 29 1/4   |
| ANDO1836                               | 16 1/4 X 34      | 17 5/8 X 35 1/4   |
| ANDO1842                               | 16 1/4 X 40      | 17 5/8 X 41 1/4   |
| ANDO18TALL                             | 16 1/4 X 60 1/2  | 17 5/8 X 61 1/8   |
| ANDO3612B                              | 17 1/16 X 10     | 17 3/4 X 11 1/4   |
| ANDO3615B                              | 17 1/16 X 13     | 17 3/4 X 14 1/4   |
| ANDO3618B                              | 17 1/16 X 16     | 17 3/4 X 17 1/4   |
| ANDO3621B                              | 17 1/16 X 18 1/2 | 17 3/4 X 19 3/4   |
| ANDO3624B                              | 17 1/16 X 21 1/2 | 17 3/4 X 22 3/4   |
| ANDO3627B                              | 17 1/16 X 25     | 17 3/4 X 26 1/4   |
| ANDO3630B                              | 17 1/16 X 28     | 17 3/4 X 29 1/4   |
| ANDO3636B                              | 17 1/16 X 34     | 17 3/4 X 35 1/4   |
| ANDO3642B                              | 17 1/16 X 40     | 17 3/4 X 41 1/4   |
| ANDO36TALLB                            | 17 1/16 X 60 1/2 | 17 3/4 X 61 1/8   |
| ANDO3912                               | 17 3/4 X 10      | 19 1/8 X 11 1/4   |
| ANDO3915                               | 17 3/4 X 13      | 19 1/8 X 14 1/4   |
| ANDO3918                               | 17 3/4 X 16      | 19 1/8 X 17 1/4   |
| ANDO3924                               | 17 3/4 X 21 1/2  | 19 1/8 X 22 3/4   |
| ANDO3930                               | 17 3/4 X 28      | 19 1/8 X 29 1/4   |
| ANDO3936                               | 17 3/4 X 34      | 19 1/8 X 35 1/4   |
| ANDO3942                               | 17 3/4 X 40      | 19 1/8 X 41 1/4   |
| ANDO2121                               | 19 1/4 X 18 1/2  | 20 5/8 X 19 3/4   |
| ANDO2124                               | 19 1/4 X 21 1/2  | 20 5/8 X 22 3/4   |
| ANDO2130                               | 19 1/4 X 28      | 20 5/8 X 29 1/4   |
| ANDO2136                               | 19 1/4 X 34      | 20 5/8 X 35 1/4   |
| ANDO2142                               | 19 1/4 X 40      | 20 5/8 X 41 1/4   |
| ANDO4524                               | 20 3/4 X 21 1/2  | 22 1/8 X 22 3/4   |
| ANDO4530                               | 20 3/4 X 28      | 22 1/8 X 29 1/4   |
| ANDO4536                               | 20 3/4 X 34      | 22 1/8 X 35 1/4   |
| ANDO4542                               | 20 3/4 X 40      | 22 1/8 X 41 1/4   |
| ANDO2418                               | 22 1/4 X 16      | 23 5/8 X 17 1/4   |
| ANDO2421                               | 22 1/4 X 18 1/2  | 23 5/8 X 19 3/4   |
| ANDO2424                               | 22 1/4 X 21 1/2  | 23 5/8 X 22 3/4   |
| ANDO2430                               | 22 1/4 X 28      | 23 5/8 X 29 1/4   |
| ANDO2436                               | 22 1/4 X 34      | 23 5/8 X 35 1/4   |
| ANDO2442                               | 22 1/4 X 40      | 23 5/8 X 41 1/4   |
| ANDO24TALL                             | 22 1/4 X 60 1/2  | 23 5/8 X 61 1/8   |
| ANDOBCR33                              | 7 1/4 X 28       | 7 15/16 X 29 1/4  |
| ANDOBCR36                              | 10 1/4 X 28      | 10 15/16 X 29 1/4 |
| ANDOUBCR36                             | 10 1/4 X 25      | 10 15/16 X 26 1/4 |
| ANDOWBC24/2730                         | 8 3/4 X 28       | 10 1/8 X 29 1/4   |
| ANDOWBC24/2736                         | 8 3/4 X 34       | 10 1/8 X 35 1/4   |
| ANDOWBC24/2742                         | 8 3/4 X 40       | 10 1/8 X 41 1/4   |

| REPLACEMENT DOORS |                  |                 |
|-------------------|------------------|-----------------|
| PART              | PARTIAL OVERLAY  | FULL OVERLAY    |
| RDO927            | 7 1/4 X 25       | 8 5/8 X 26 1/4  |
| RDO930            | 7 1/4 X 28       | 8 5/8 X 29 1/4  |
| RDO936            | 7 1/4 X 34       | 8 5/8 X 35 1/4  |
| RDO942            | 7 1/4 X 40       | 8 5/8 X 41 1/4  |
| RDO1221           | 10 1/4 X 18 1/2  | 11 5/8 X 19 3/4 |
| RDO1224           | 10 1/4 X 21 1/2  | 11 5/8 X 22 3/4 |
| RDO1230           | 10 1/4 X 28      | 11 5/8 X 29 1/4 |
| RDO1236           | 10 1/4 X 34      | 11 5/8 X 35 1/4 |
| RDO1242           | 10 1/4 X 40      | 11 5/8 X 41 1/4 |
| RDO2724           | 11 3/4 X 21 1/2  | 13 1/8 X 22 3/4 |
| RDO2730           | 11 3/4 X 28      | 13 1/8 X 29 1/4 |
| RDO2736           | 11 3/4 X 34      | 13 1/8 X 35 1/4 |
| RDO2742           | 11 3/4 X 40      | 13 1/8 X 41 1/4 |
| RDO2721B          | 12 9/16 X 18 1/2 | 13 1/4 X 19 3/4 |
| RDO2724B          | 12 9/16 X 21 1/2 | 13 1/4 X 22 3/4 |
| RDO2730B          | 12 9/16 X 28     | 13 1/4 X 29 1/4 |
| RDO2736B          | 12 9/16 X 34     | 13 1/4 X 35 1/4 |
| RDO2742B          | 12 9/16 X 40     | 13 1/4 X 41 1/4 |
| RDO1512           | 13 1/4 X 10      | 14 5/8 X 11 1/4 |
| RDO1515           | 13 1/4 X 13      | 14 5/8 X 14 1/4 |
| RDO1518           | 13 1/4 X 16      | 14 5/8 X 17 1/4 |
| RDO1521           | 13 1/4 X 18 1/2  | 14 5/8 X 19 3/4 |
| RDO1524           | 13 1/4 X 21 1/2  | 14 5/8 X 22 3/4 |
| RDO1527           | 13 1/4 X 25      | 14 5/8 X 26 1/4 |
| RDO1530           | 13 1/4 X 28      | 14 5/8 X 29 1/4 |
| RDO1536           | 13 1/4 X 34      | 14 5/8 X 35 1/4 |
| RDO1542           | 13 1/4 X 40      | 14 5/8 X 41 1/4 |
| RDO15TALL         | 13 1/4 X 60 1/2  | 14 5/8 X 61 1/8 |
| RDO3012B          | 14 1/16 X 10     | 14 3/4 X 11 1/4 |
| RDO3015B          | 14 1/16 X 13     | 14 3/4 X 14 1/4 |
| RDO3018B          | 14 1/16 X 16     | 14 3/4 X 17 1/4 |
| RDO3021B          | 14 1/16 X 18 1/2 | 14 3/4 X 19 3/4 |
| RDO3024B          | 14 1/16 X 21 1/2 | 14 3/4 X 22 3/4 |
| RDO3027B          | 14 1/16 X 25     | 14 3/4 X 26 1/4 |
| RDO3030B          | 14 1/16 X 28     | 14 3/4 X 29 1/4 |
| RDO3036B          | 14 1/16 X 34     | 14 3/4 X 35 1/4 |
| RDO3042B          | 14 1/16 X 40     | 14 3/4 X 41 1/4 |
| RDO30TALLB        | 14 1/16 X 60 1/2 | 14 3/4 X 61 1/8 |
| RDO3315           | 14 3/4 X 13      | 16 1/8 X 14 1/4 |
| RDO3318           | 14 3/4 X 16      | 16 1/8 X 17 1/4 |
| RDO3321           | 14 3/4 X 18 1/2  | 16 1/8 X 19 3/4 |
| RDO3324           | 14 3/4 X 21 1/2  | 16 1/8 X 22 3/4 |
| RDO3330           | 14 3/4 X 28      | 16 1/8 X 29 1/4 |
| RDO3336           | 14 3/4 X 34      | 16 1/8 X 35 1/4 |
| RDO3342           | 14 3/4 X 40      | 16 1/8 X 41 1/4 |
| RDO1812           | 16 1/4 X 10      | 17 5/8 X 11 1/4 |
| RDO1815           | 16 1/4 X 13      | 17 5/8 X 14 1/4 |
| RDO1818           | 16 1/4 X 16      | 17 5/8 X 17 1/4 |

| <b>REPLACEMENT DOORS (continued)</b> |                        |                     |
|--------------------------------------|------------------------|---------------------|
| <b>PART</b>                          | <b>PARTIAL OVERLAY</b> | <b>FULL OVERLAY</b> |
| RDO1821                              | 16 1/4 X 18 1/2        | 17 5/8 X 19 3/4     |
| RDO1824                              | 16 1/4 X 21 1/2        | 17 5/8 X 22 3/4     |
| RDO1827                              | 16 1/4 x 25            | 17 5/8 x 26 1/4     |
| RDO1830                              | 16 1/4 X 28            | 17 5/8 X 29 1/4     |
| RDO1836                              | 16 1/4 X 34            | 17 5/8 X 35 1/4     |
| RDO1842                              | 16 1/4 X 40            | 17 5/8 X 41 1/4     |
| RDO18TALL                            | 16 1/4 X 60 1/2        | 17 5/8 X 61 1/8     |
| RDO3612B                             | 17 1/16 X 10           | 17 3/4 X 11 1/4     |
| RDO3615B                             | 17 1/16 X 13           | 17 3/4 X 14 1/4     |
| RDO3618B                             | 17 1/16 X 16           | 17 3/4 X 17 1/4     |
| RDO3621B                             | 17 1/16 X 18 1/2       | 17 3/4 X 19 3/4     |
| RDO3624B                             | 17 1/16 X 21 1/2       | 17 3/4 X 22 3/4     |
| RDO3627B                             | 17 1/16 X 25           | 17 3/4 X 26 1/4     |
| RDO3630B                             | 17 1/16 X 28           | 17 3/4 X 29 1/4     |
| RDO3636B                             | 17 1/16 X 34           | 17 3/4 X 35 1/4     |
| RDO3642B                             | 17 1/16 X 40           | 17 3/4 X 41 1/4     |
| RDO36TALLB                           | 17 1/16 X 60 1/2       | 17 3/4 X 61 1/8     |
| RDO3912                              | 17 3/4 X 10            | 19 1/8 X 11 1/4     |
| RDO3915                              | 17 3/4 X 13            | 19 1/8 X 14 1/4     |
| RDO3918                              | 17 3/4 X 16            | 19 1/8 X 17 1/4     |
| RDO3924                              | 17 3/4 X 21 1/2        | 19 1/8 X 22 3/4     |
| RDO3930                              | 17 3/4 X 28            | 19 1/8 X 29 1/4     |
| RDO3936                              | 17 3/4 X 34            | 19 1/8 X 35 1/4     |
| RDO3942                              | 17 3/4 X 40            | 19 1/8 X 41 1/4     |
| RDO2121                              | 19 1/4 X 18 1/2        | 20 5/8 X 19 3/4     |
| RDO2124                              | 19 1/4 X 21 1/2        | 20 5/8 X 22 3/4     |
| RDO2130                              | 19 1/4 X 28            | 20 5/8 X 29 1/4     |
| RDO2136                              | 19 1/4 X 34            | 20 5/8 X 35 1/4     |
| RDO2142                              | 19 1/4 X 40            | 20 5/8 X 41 1/4     |
| RDO4524                              | 20 3/4 X 21 1/2        | 22 1/8 X 22 3/4     |
| RDO4530                              | 20 3/4 X 28            | 22 1/8 X 29 1/4     |
| RDO4536                              | 20 3/4 X 34            | 22 1/8 X 35 1/4     |
| RDO4542                              | 20 3/4 X 40            | 22 1/8 X 41 1/4     |
| RDO2418                              | 22 1/4 X 16            | 23 5/8 X 17 1/4     |
| RDO2421                              | 22 1/4 X 18 1/2        | 23 5/8 X 19 3/4     |
| RDO2424                              | 22 1/4 X 21 1/2        | 23 5/8 X 22 3/4     |
| RDO2430                              | 22 1/4 X 28            | 23 5/8 X 29 1/4     |
| RDO2436                              | 22 1/4 X 34            | 23 5/8 X 35 1/4     |
| RDO2442                              | 22 1/4 X 40            | 23 5/8 X 41 1/4     |
| RDO24TALL                            | 22 1/4 X 60 1/2        | 23 5/8 X 61 1/8     |
| RDO1524BWBT                          | 13 1/4 X 21 1/2        | 14 5/8 X 22 3/4     |
| RDO1824BWBT                          | 16 1/4 X 21 1/2        | 17 5/8 X 22 3/4     |
| RDOBCR33                             | 7 1/4 X 28             | 7 15/16 X 29 1/4    |
| RDOBCR36                             | 10 1/4 X 28            | 10 15/16 X 29 1/4   |
| RDOSFA36                             | 14 3/4 X 21 1/2        | 14 5/8 X 22 3/4     |
| RDOSFA42                             | 22 1/4 X 21 1/2        | 22 1/8 X 22 3/4     |

**REPLACEMENT DOORS (continued)**

| PART          | PARTIAL OVERLAY | FULL OVERLAY      |
|---------------|-----------------|-------------------|
| RDOUBCR36     | 10 1/4 X 25     | 10 15/16 X 26 1/4 |
| RDOUBLS       | 10 1/8 X 24 1/4 | N/A               |
| RDOWA30       | 14 3/4 X 28     | 14 5/8 X 29 1/4   |
| RDOWA36       | 14 3/4 X 34     | 14 5/8 X 35 1/4   |
| RDOWA42       | 14 3/4 X 40     | 14 5/8 X 41 1/4   |
| RDOWBC24/2730 | 8 3/4 X 28      | 10 1/8 X 29 1/4   |
| RDOWBC24/2736 | 8 3/4 X 34      | 10 1/8 X 35 1/4   |
| RDOWBC24/2742 | 8 3/4 X 40      | 10 1/8 X 41 1/4   |

**REPLACEMENT DRAWER FRONTS**

| PART            | PARTIAL OVERLAY | FULL OVERLAY     |
|-----------------|-----------------|------------------|
| RDF30DKD        | 3 1/2 X 28 1/4  | 4 1/8 X 29 5/8   |
| RDF12STD        | 5 1/2 X 10 1/4  | 6 1/8 X 11 5/8   |
| RDF27/2STD      | 5 1/2 X 11 3/4  | 6 1/8 X 13 1/8   |
| RDF15STD        | 5 1/2 X 13 1/4  | 6 1/8 X 14 5/8   |
| RDF33/2STD      | 5 1/2 X 14 3/4  | 6 1/8 X 16 1/8   |
| RDFSBA/SFA36STD | 5 1/2 X 14 3/4  | 6 1/8 X 14 5/8   |
| RDF18STD        | 5 1/2 X 16 1/4  | 6 1/8 X 17 5/8   |
| RDFBBC45/48STD  | 5 1/2 X 17 3/4  | 6 1/8 X 19 1/8   |
| RDF21STD        | 5 1/2 X 19 1/4  | 6 1/8 X 20 5/8   |
| RDF45STD        | 5 1/2 X 20 3/4  | 6 1/8 X 22 1/8   |
| RDF24STD        | 5 1/2 X 22 1/4  | 6 1/8 X 23 5/8   |
| RDFSBA/SFA42STD | 5 1/2 X 22 1/4  | 6 1/8 X 22 1/8   |
| RDF27STD        | 5 1/2 X 25 1/4  | 6 1/8 X 26 5/8   |
| RDF30STD        | 5 1/2 X 28 1/4  | 6 1/8 X 29 5/8   |
| RDF33STD        | 5 1/2 X 31 1/4  | 6 1/8 X 32 5/8   |
| RDF36STD        | 5 1/2 X 34 1/4  | 6 1/8 X 35 5/8   |
| RDF39STD        | 5 1/2 X 37 1/4  | 6 1/8 X 38 5/8   |
| RDF12DP1        | 9 X 10 1/4      | 9 3/4 X 11 5/8   |
| RDF15DP1        | 9 X 13 1/4      | 9 3/4 X 14 5/8   |
| RDF33/2DP1      | 9 X 14 3/4      | 9 3/4 X 16 1/8   |
| RDF18DP1        | 9 X 16 1/4      | 9 3/4 X 17 5/8   |
| RDF21DP1        | 9 X 19 1/4      | 9 3/4 X 20 5/8   |
| RDF24DP1        | 9 X 22 1/4      | 9 3/4 X 23 5/8   |
| RDF12DP2        | 10 3/8 X 10 1/4 | 11 3/16 X 11 5/8 |
| RDF15DP2        | 10 3/8 X 13 1/4 | 11 3/16 X 14 5/8 |
| RDF18DP2        | 10 3/8 X 16 1/4 | 11 3/16 X 17 5/8 |
| RDF21DP2        | 10 3/8 X 19 1/4 | 11 3/16 X 20 5/8 |
| RDF24DP2        | 10 3/8 X 22 1/4 | 11 3/16 X 23 5/8 |
| RDF30DP2        | 10 3/8 X 28 1/4 | 11 3/16 X 29 5/8 |
| RDF36DP2        | 10 3/8 X 34 1/4 | 11 3/16 X 35 5/8 |

| CODE           | PAGE | CODE      | PAGE | CODE       | PAGE       | CODE             | PAGE   | CODE              | PAGE |
|----------------|------|-----------|------|------------|------------|------------------|--------|-------------------|------|
| #              |      | BCFS36    | E10  | BS3024     | J3         | <b>D</b>         |        | GDESMOR21-10      | L1   |
| 09             | C9   | BCRB33    | E9   | BS3324     | J3         | DEPC2434         | H2     | GDESMOR24         | L1   |
| 12             | C9   | BCRB36    | E9   | BS3624     | J3         | DKDDT36          | H1     | GDESMOR24-10      | L1   |
| 15             | C9   | BD12-3D   | E2   | BS3924     | J3         | DKDDT3618        | H1     | GDESMPB24KIT      | L1   |
| 18             | C9   | BD12-4D   | E3   | BS4524     | J3         | DKDT36           | H1     | GDEUMFESA18KIT    | L2   |
| 1FT            | C10  | BD15-3D   | E2   | BS4824     | J3         | DKDT3618         | H1     | GDEUMFESA21KIT    | L2   |
| 1ST            | C10  | BD15-4D   | E3   | BSOS42     | E13        | DOCK30           | F7     | GDEUMFESA24KIT    | L2   |
| 21             | C9   | BD18-3D   | E2   | BSOS45     | E13        | DOCK33           | F7     | GDEUMFESAL18      | L2   |
| 24             | C9   | BD18-4D   | E3   | BTK12      | J5         | DSB36            | E5     | GDEUMFESAL21      | L2   |
| 2ST            | C10  | BD21-3D   | E2   | BTK15      | J5         | <b>F</b>         |        | GDEUMFESAL24      | L2   |
| <b>A</b>       |      | BD21-4D   | E3   | BTK18      | J5         | FDS              | C9     | GDEUMFESAPB24KIT  | L2   |
| ACM8           | K2   | BD24-3D   | E2   | BTK21      | J5         | FRM              | C11-12 | GDEUMFESAR18      | L2   |
| ACM8-6         | K2   | BD24-4D   | E3   | BTK24      | J5         | FS               | L8     | GDEUMFESAR21      | L2   |
| ACMFM8         | K2   | BD30-3D   | E2   | BTK27B     | J5         | FS-12            | L8     | GDEUMFESAR24      | L2   |
| ACMFM8-6       | K2   | BD36-3D   | E2   | BTK30B     | J5         | FS1384           | J3     | <b>H</b>          |      |
| AOSC8          | K2   | BEP34     | E11  | BTK33      | J5         | FS2184           | J3     | HDS               | C9   |
| <b>B</b>       |      | BEP34-10  | E11  | BTK36/39   | J5         | <b>G</b>         |        | HINDR2DRBIFOLD    | L4   |
| B12            | E1   | BEP34P    | E11  | BTK36B     | J5         | GDEFESMBB21KIT   | L1     | HINFRM2DRBIFOLD   | L4   |
| B12FH          | E1   | BEP34P-10 | E11  | BTK39      | J5         | GDEFESMBB24KIT   | L1     | HINSCFM-10PR      | L4   |
| B15            | E1   | BEPF3     | E12  | BTK45      | J5         | GDEFESMBBIL21    | L2     | HINSCFM-1PR       | L4   |
| B15FH          | E1   | BEPF6     | E12  | BTMC30     | E7         | GDEFESMBBIL21-10 | L2     | HINSCFOL6WY-10PR  | L4   |
| B18            | E1   | BFPS30    | E6   | BWBFMK     | E13        | GDEFESMBBIL24    | L2     | HINSCFOL6WY-1PR   | L4   |
| B18FH          | E1   | BFPS33    | E6   | BWBT15     | E4         | GDEFESMBBIL24-10 | L2     | HINSCFOL6WY-10PR  | L5   |
| B21            | E1   | BFPS36    | E6   | BWBT18     | E4         | GDEFESMBBIR21    | L2     | HINSCFOL6WY-1PR   | L5   |
| B21FH          | E1   | BK1530    | D6   | BWBTK15    | E13        | GDEFESMBBIR21-10 | L2     | HSD               | E15  |
| B24            | E1   | BK1536    | D6   | BWBTK18    | E13        | GDEFESMBBIR24    | L2     | <b>I</b>          |      |
| B24D           | E2   | BK1542    | D6   | <b>C</b>   |            | GDEFESMBBIR24-10 | L2     | ICM8              | K3   |
| B24FH          | E1   | BK1830    | D6   | CCK        | L8         | GDEFESMBBO21     | L2     | ICM8-10           | K3   |
| B27B           | E2   | BK1836    | D6   | CCM12      | K2         | GDEFESMBBO21-10  | L2     | ICM8P             | K3   |
| B27BFH         | E2   | BK1842    | D6   | CCM8       | K2         | GDEFESMBBO24     | L2     | ICM8P-10          | K3   |
| B30            | E2   | BK2130    | D6   | CCPC       | L8         | GDEFESMBBO24-10  | L2     | ILR8              | K4   |
| B30B           | E2   | BK2136    | D6   | CDC        | L8         | GDESM18KIT       | L1     | ILR8-6            | K4   |
| B30BFH         | E2   | BK2142    | D6   | CDI15      | E14        | GDESM21KIT       | L1     | INSTALLSCREWS-100 | L6   |
| B30FH          | E2   | BK2430    | D6   | CDI18      | E14        | GDESM24KIT       | L1     | <b>K</b>          |      |
| B33            | E2   | BK2436    | D6   | CFO        | C10        | GDESMIL18        | L1     | KNOB4006MN        | K9   |
| B33FH          | E2   | BK2442    | D6   | CFTK3      | E15,F6,G11 | GDESMIL18-10     | L1     | KNOB4008DORB      | K8   |
| B36            | E2   | BK3018    | D6   | CLY.BR.S.S | A          | GDESMIL21        | L1     | KNOB4015SS        | K8   |
| B36B           | E2   | BK3030    | D6   | CM12       | K4         | GDESMIL21-10     | L1     | KNOB4016DORB      | K8   |
| B36BFH         | E2   | BK3030D   | D6   | CM8        | K4         | GDESMIL24        | L1     | KNOB4022PWCP      | K11  |
| B36FH          | E2   | BK3036    | D6   | CM8-10     | K4         | GDESMIL24-10     | L1     | KNOB4034ORB       | K8   |
| B39            | E2   | BK3036D   | D6   | CM8P       | K4         | GDESMIR18        | L1     | KNOB4034SN        | K8   |
| B39FH          | E2   | BK3042    | D6   | CM8P-10    | K4         | GDESMIR18-10     | L1     | KNOB4047BLB       | K9   |
| B42            | E2   | BK3042D   | D6   | CNS.BR.S.S | A          | GDESMIR21        | L1     | KNOB4047SN        | K9   |
| B42FH          | E2   | BK3630    | D6   | CRK        | L8         | GDESMIR21-10     | L1     | KNOB4048BLB       | K9   |
| B45            | E2   | BK3630D   | D6   | CSM8       | K4         | GDESMIR24        | L1     | KNOB4048SN        | K9   |
| B48            | E2   | BK3636    | D6   | CSM8-10    | K4         | GDESMIR24-10     | L1     | KNOB4056BLN       | K10  |
| B48FH          | E2   | BK3636D   | D6   | CSO        | C11        | GDESMOL18        | L1     | KNOB4056DORB      | K10  |
| B9FH           | E1   | BK3642    | D6   | CTR8       | K3         | GDESMOL18-10     | L1     | KNOB4056MC        | K10  |
| BACKPLUG2H-10  | L6   | BK3642D   | D6   | CTR8-10    | K3         | GDESMOL21        | L1     | KNOB4056PC        | K10  |
| BACKPLUG2H-100 | L6   | BS1224    | J3   | CTSB-2     | K1         | GDESMOL21-10     | L1     | KNOB4056SS        | K10  |
| BBC36/39FH     | E9   | BS1524    | J3   | CVLM8      | K3         | GDESMOL24        | L1     | KNOB4058ORB       | K8   |
| BBC39/42       | E9   | BS1824    | J3   | CVLM8-4    | K3         | GDESMOL24-10     | L1     | KNOB4065SN        | K9   |
| BBC42/45       | E9   | BS2124    | J3   | CVLR8      | K3         | GDESMOR18        | L1     | <b>L</b>          |      |
| BBC45/48       | E9   | BS2424    | J3   | CVLR8-6    | K3         | GDESMOR18-10     | L1     | LKDVMFESAGDEL     | L2   |
| BBC48/51       | E9   | BS2724    | J3   |            |            | GDESMOR21        | L1     | LKDVMFESAGDER     | L2   |

| CODE         | PAGE   | CODE         | PAGE | CODE               | PAGE | CODE                 | PAGE | CODE        | PAGE |
|--------------|--------|--------------|------|--------------------|------|----------------------|------|-------------|------|
| LS2          | D11-12 | PULL4026ORB  | K11  | QP                 | L10  | ROT3324              | J6   | RWS3015MI   | J4   |
| LSTCM8       | K4     | PULL4026PC   | K11  | QR8                | K5   | ROT36/39             | J6   | RWS3015WMS  | J4   |
| <b>M</b>     |        | PULL4027BN   | K11  | QR8-10             | K5   | ROT3621B             | J6   | RWS3024     | J4   |
| MBUS96       | K5     | PULL4027ORB  | K11  | QST                | L10  | ROT3624B             | J6   | RWS3024MI   | J4   |
| MBUS96-6     | K5     | PULL4027PC   | K11  | <b>R</b>           |      | ROT3921              | J6   | RWS3312     | J4   |
| <b>N</b>     |        | PULL4028BN   | K11  | RBS1212            | J4   | ROT3924              | J6   | RWS3315     | J4   |
| NBM8         | K5     | PULL4028ORB  | K11  | RBS1512            | J4   | ROT4524              | J6   | RWS3324     | J4   |
| NBM8-20      | K5     | PULL4028PC   | K11  | RBS1812            | J4   | RPLRMTGBRKT_BWBTSSET | L2   | RWS3612     | J4   |
| NBM8P        | K5     | PULL4029BN   | K11  | RBS1824PB          | J4   | RTS1512              | J4   | RWS3612MI   | J4   |
| NBM8P-20     | K5     | PULL4029ORB  | K11  | RBS2112            | J4   | RTS1524              | J4   | RWS3615     | J4   |
| <b>O</b>     |        | PULL4029PC   | K11  | RBS2412            | J4   | RTS1812              | J4   | RWS3615MI   | J4   |
| OCSP30       | F7     | PULL4035ORB  | K8   | RBS2424PB          | J4   | RTS1824              | J4   | RWS3624     | J4   |
| OCSP33       | F7     | PULL4035SN   | K8   | RBS2712            | J4   | RTS2412              | J4   | RWS3624MI   | J4   |
| OCU3084      | F3     | PULL4036ORB  | K8   | RBS3012            | J4   | RTS2424              | J4   | RWS3912     | J4   |
| OCU3084B     | F3     | PULL4036SN   | K8   | RBS3312            | J4   | RTS3012              | J4   | RWS3915     | J4   |
| OCU3090      | F3     | PULL4039BN   | K8   | RBS3612            | J4   | RTS3024              | J4   | RWS3924     | J4   |
| OCU3090B     | F3     | PULL4040BN   | K8   | RBS3624PB          | J4   | RTS3324              | J4   | RWS4212     | J4   |
| OCU3096      | F3     | PULL4041BN   | K8   | RBS3636BCFS        | J4   | RTS3612              | J4   | RWS4215     | J4   |
| OCU3096B     | F3     | PULL4049BLB  | K9   | RBS3912            | J4   | RTS3624              | J4   | RWS4224     | J4   |
| OCU3384      | F3     | PULL4049SN   | K9   | RBS3912HDS         | J4   | RVS1504VWR           | J4   | RWS4512     | J4   |
| OCU3390      | F3     | PULL4050BLB  | K9   | RBS4212            | J4   | RWS0912              | J4   | RWS4515     | J4   |
| OCU3396      | F3     | PULL4050SN   | K9   | RBS4212HDS         | J4   | RWS0915              | J4   | RWS4524     | J4   |
| ODK30        | F4     | PULL4051BLB  | K9   | RBS4512            | J4   | RWS0924              | J4   | RWS4812     | J4   |
| ODK33        | F4     | PULL4051SN   | K9   | RBS4512HDS         | J4   | RWS1212              | J4   | RWS4815     | J4   |
| OSC8         | K3     | PULL4052MB   | K9   | RBS4812            | J4   | RWS1215              | J4   | RWS4824     | J4   |
| OSC8-10      | K3     | PULL4052PC   | K9   | RBS4812HDS         | J4   | RWS1224              | J4   | <b>S</b>    |      |
| OSC8P        | K3     | PULL4053MB   | K9   | RBS4824PB          | J4   | RWS1512              | J4   | SADO        | L6   |
| OSC8P-10     | K3     | PULL4054MB   | K9   | REP3296            | F5   | RWS1512MI            | J4   | SB12        | E5   |
| <b>P</b>     |        | PULL4055MB   | K9   | REPF1-5-1284       | F5   | RWS1515              | J4   | SB15        | E5   |
| PB18         | E3     | PULL4057ORB  | K8   | REPF1-5-1296       | F5   | RWS1515MI            | J4   | SB18        | E5   |
| PB24         | E3     | PULL4059BLN  | K10  | REPF1-5-2484       | F5   | RWS1524              | J4   | SB21        | E5   |
| PB36         | E3     | PULL4059MN   | K10  | REPF1-5-2496       | F5   | RWS1524MI            | J4   | SB24        | E5   |
| PB48         | E3     | PULL4060DORB | K10  | RMBFESMBBGDE       | L3   | RWS1812              | J4   | SB24D       | E5   |
| PB4834       | J2     | PULL4060MN   | K10  | RMBSMGDE           | L3   | RWS1812MI            | J4   | SB27B       | E5   |
| PB4834-4     | J2     | PULL4061BBS  | K9   | RMBSMGDE-25        | L3   | RWS1815              | J4   | SB30        | E5   |
| PB4834P      | J1     | PULL4061MB   | K9   | RMBSMGDEPB         | L3   | RWS1815MI            | J4   | SB30B       | E5   |
| PB4834P-2    | J1     | PULL4061PC   | K9   | RMBSMGDEPB-2       | L3   | RWS1824              | J4   | SB33        | E5   |
| PB4896       | J1     | PULL4061SS   | K9   | RMBUMFESAGDE-2     | L3   | RWS1824MI            | J4   | SB36        | E5   |
| PB4896-2     | J1     | PULL4062BBS  | K9   | RMBUMFESAGDEDKDSET | L3   | RWS2112              | J4   | SB36B       | E5   |
| PB4896P      | J1     | PULL4062MB   | K9   | RMBUMFESAGDEPB-2   | L4   | RWS2112MI            | J4   | SB39        | E5   |
| PB4896P-2    | J1     | PULL4062PC   | K9   | ROT1221            | J6   | RWS2115              | J4   | SB42        | E5   |
| PULL4000ORB  | K10    | PULL4062SS   | K9   | ROT1224            | J6   | RWS2115MI            | J4   | SB45        | E5   |
| PULL4001ORB  | K10    | PULL4063BBS  | K9   | ROT1521            | J6   | RWS2124              | J4   | SB48        | E5   |
| PULL4003SN   | K10    | PULL4063MB   | K9   | ROT1524            | J6   | RWS2124MI            | J4   | SBA36       | E6   |
| PULL4004SN   | K10    | PULL4063PC   | K9   | ROT1821            | J6   | RWS2412              | J4   | SBA42       | E6   |
| PULL4005SS   | K10    | PULL4063SS   | K9   | ROT1824            | J6   | RWS2412MI            | J4   | SCARC-10    | L5   |
| PULL4011SS   | K10    | PULL4064BBS  | K9   | ROT2121            | J6   | RWS2415              | J4   | SCARC-4     | L5   |
| PULL4012SS   | K10    | PULL4064MB   | K9   | ROT2124            | J6   | RWS2415MI            | J4   | SCM8        | K6   |
| PULL4013SS   | K10    | PULL4064PC   | K9   | ROT2421            | J6   | RWS2424              | J4   | SFA42       | E6   |
| PULL4014SS   | K10    | PULL4064SS   | K9   | ROT2424            | J6   | RWS2424MI            | J4   | SFB2372     | E14  |
| PULL4023PWCP | K11    | PULL4066SN   | K9   | ROT2721B           | J6   | RWS2424WA            | J4   | SFDB4242    | E14  |
| PULL4024DORB | K11-12 | PULL4068MN   | K8   | ROT2724B           | J6   | RWS2727WA            | J4   | SFEP        | E11  |
| PULL4024MN   | K11-12 | PUTTY        | L10  | ROT3021B           | J6   | RWS3012              | J4   | SHCLP34     | L5   |
| PULL4024PN   | K11-12 | <b>Q</b>     |      | ROT3024B           | J6   | RWS3012MI            | J4   | SHCLP34-100 | L5   |
| PULL4026BN   | K11    | QCST         | L10  | ROT3321            | J6   | RWS3015              | J4   | SHCLP34-20  | L5   |

| CODE            | PAGE       | CODE     | PAGE | CODE        | PAGE | CODE               | PAGE | CODE               | PAGE |
|-----------------|------------|----------|------|-------------|------|--------------------|------|--------------------|------|
| SHCLPLK34L      | L5         | U159624  | F2   | UBD15-3D    | I2   | VB1835FH           | G1   | VCD423518 DR or DL | G3   |
| SHCLPLK34L-20   | L5         | U1884    | F1   | UBD18-3D    | I2   | VB18FH             | G1   | VCD48              | G3   |
| SHCLPLK34R      | L5         | U188424  | F2   | UBD21-3D    | I2   | VB21               | G1   | VCD4818            | G3   |
| SHCLPLK34R-20   | L5         | U1890    | F1   | UBD24-3D    | I2   | VB2118             | G1   | VCD4835            | G3   |
| SHO8            | K6         | U189024  | F2   | UBLS36      | I3   | VB2135             | G1   | VCD483518          | G3   |
| SHO8-25         | K6         | U1896    | F1   | URSF30      | I4   | VB213518           | G1   | VD12-3D            | G3   |
| SHO8P           | K6         | U189624  | F2   | URSF30B     | I4   | VB24               | G1   | VD1218-3D          | G3   |
| SHO8P-25        | K6         | U2484    | F1   | URSF33      | I4   | VB2418             | G1   | VD1235-3D          | G3   |
| SHSUPBPK        | L5         | U248424  | F2   | URSF36      | I4   | VB2435             | G1   | VD1235-4D          | G4   |
| SHSUPBPK-100    | L5         | U2490    | F1   | URSF36B     | I4   | VB243518           | G1   | VD123518-3D        | G3   |
| SHSUPC          | L5         | U249024  | F2   | URSF42      | I4   | VB273518BFH        | G1   | VD123518-4D        | G4   |
| SHSUPC-10       | L5         | U2496    | F1   | USB30       | I4   | VB2735BFH          | G1   | VD15-3D            | G3   |
| SHSUPPK         | L6         | U249624  | F2   | USB30B      | I4   | VB3018BFH          | G1   | VD1518-3D          | G3   |
| SHSUPPK-25      | L6         | U3084    | F1   | USB36       | I4   | VB3018FH           | G1   | VD1535-3D          | G3   |
| SLDO14.75X11.25 | L11        | U308424  | F2   | USB36B      | I4   | VB303518BFH        | G1   | VD1535-4D          | G4   |
| SM8             | K6         | U308424B | F2   | USK1512-3/4 | J3   | VB303518FH         | G1   | VD153518-3D        | G3   |
| SM8-20          | K6         | U3084B   | F1   | USK1521-3/4 | J3   | VB3035BFH          | G1   | VD153518-4D        | G4   |
| SM8P            | K6         | U3090    | F1   | USK1524-3/4 | J3   | VB3035FH           | G1   | VD18-3D            | G3   |
| SM8P-20         | K6         | U309024  | F2   | USK1812-3/4 | J3   | VB30BFH            | G1   | VD1818-3D          | G3   |
| SWS8            | K6         | U309024B | F2   | USK1821-3/4 | J3   | VB30FH             | G1   | VD1835-3D          | G3   |
| <b>T</b>        |            | U3090B   | F1   | USK1824-3/4 | J3   | VB333518FH         | G1   | VD1835-4D          | G4   |
| TEP84           | F5         | U3096    | F1   | USK2412-3/4 | J3   | VB3335FH           | G1   | VD183518-3D        | G3   |
| TEP84-2         | F5         | U309624  | F2   | USK2421-3/4 | J3   | VB3618BFH          | G1   | VD183518-4D        | G4   |
| TEP84P          | F5         | U309624B | F2   | USK2424-3/4 | J3   | VB3618FH           | G1   | VD21-3D            | G3   |
| TEP84P-2        | F5         | U3096B   | F1   | USK3012-3/4 | J3   | VB363518BFH        | G1   | VD2118-3D          | G3   |
| TEP96           | F5         | U3684    | F1   | USK3021-3/4 | J3   | VB363518FH         | G1   | VD2135-3D          | G3   |
| TEP96-2         | F5         | U368424  | F2   | USK3024-3/4 | J3   | VB3635BFH          | G1   | VD2135-4D          | G4   |
| TEP96P          | F5         | U368424B | F2   | USK3612-3/4 | J3   | VB3635FH           | G1   | VD213518-3D        | G3   |
| TEP96P-2        | F5         | U3684B   | F1   | USK3621-3/4 | J3   | VB36BFH            | G1   | VD213518-4D        | G4   |
| TF3-84          | F6,G10     | U3690    | F1   | USK3624-3/4 | J3   | VB36FH             | G1   | VD24-3D            | G3   |
| TF3-96          | F6,G10     | U369024  | F2   | UTK15       | E14  | VB393518FH         | G1   | VD2418-3D          | G3   |
| TF6-84          | F6,G10     | U369024B | F2   | UTK15-10    | E14  | VB3935FH           | G1   | VD2435-3D          | G3   |
| TF6-96          | F6,G10     | U3690B   | F1   | UTK27       | E14  | VB4818FH           | G2   | VD2435-4D          | G4   |
| TFB8            | K7         | U3696    | F1   | UTK27-10    | E14  | VB483518FH         | G2   | VD243518-3D        | G3   |
| TKCL8           | E15,F7,G11 | U369624  | F2   | <b>V</b>    |      | VB4835FH           | G2   | VD243518-4D        | G4   |
| TKCL8-25        | E15,F7,G11 | U369624B | F2   | V48C        | K1   | VB48FH             | G2   | VEP34              | G9   |
| TKCUL8          | I5         | U3696B   | F1   | V72C        | K1   | VB76018FH          | G2   | VEP34-10           | G9   |
| TKCUV8          | I5         | UAP30    | J2   | VB12        | G1   | VB7603518FH        | G2   | VEP34P             | G9   |
| TKCV8           | E15,F8,G11 | UAP33    | J2   | VB1218      | G1   | VB76035FH          | G2   | VEP34P-10          | G9   |
| TKCV8-25        | E15,F8,G11 | UAP36    | J2   | VB1235      | G1   | VB760FH            | G2   | VF12               | L11  |
| TLR8            | K7         | UAP42    | J2   | VB123518    | G1   | VCD30 DR or DL     | G2   | VF15               | L11  |
| TLR8-6          | K7         | UB12     | I1   | VB15        | G1   | VCD3018 DR or DL   | G2   | VFPS30             | G8   |
| TP              | L9         | UB15     | I1   | VB1518      | G1   | VCD3035 DR or DL   | G3   | VFPS33             | G8   |
| TP-12           | L9         | UB18     | I1   | VB1518FH    | G1   | VCD303518 DR or DL | G3   | VFPS36             | G8   |
| TSCP            | L9         | UB21     | I1   | VB1535      | G1   | VCD33 DR or DL     | G2   | VNTCLPPK           | L6   |
| TSCP-12         | L9         | UB24     | I1   | VB153518    | G1   | VCD3318 DR or DL   | G2   | VNTCLPPK-25        | L6   |
| TSCT            | L9         | UB27B    | I2   | VB153518FH  | G1   | VCD3335 DR or DL   | G3   | VS24               | G5   |
| TSCT-12         | L9         | UB30     | I2   | VB1535FH    | G1   | VCD333518 DR or DL | G3   | VS2418             | G5   |
| TUK             | L9         | UB30B    | I2   | VB15FH      | G1   | VCD36 DR or DL     | G2   | VS2435             | G5   |
| <b>U</b>        |            | UB36     | I2   | VB18        | G1   | VCD3618 DR or DL   | G2   | VS243518           | G5   |
| U1584           | F1         | UB36B    | I2   | VB1818      | G1   | VCD3635 DR or DL   | G3   | VS2718B            | G5-6 |
| U158424         | F2         | UB42     | I2   | VB1818FH    | G1   | VCD363518 DR or DL | G3   | VS273518B          | G5-6 |
| U1590           | F1         | UB9FH    | I1   | VB1835      | G1   | VCD42 DR or DL     | G2   | VS2735B            | G5-6 |
| U159024         | F2         | UBCR36   | I2   | VB183518    | G1   | VCD4218 DR or DL   | G2   | VS27B              | G5-6 |
| U1596           | F1         | UBD12-3D | I2   | VB183518FH  | G1   | VCD4235 DR or DL   | G3   | VS2830             | G5-6 |

| CODE          | PAGE | CODE     | PAGE | CODE                | PAGE | CODE                | PAGE | CODE     | PAGE |
|---------------|------|----------|------|---------------------|------|---------------------|------|----------|------|
| VSB3018       | G5-6 | VTK24    | J5   | W3318               | D2   | WBC39/4242 BR or BL | D4   | WR3315   | D2   |
| VSB3018B      | G5-6 | VTK27B   | J5   | W3324               | D2   | WBC42/4530 BR or BL | D4   | WR3318   | D2   |
| VSB3035       | G5-6 | VTK30B   | J5   | W3330               | D2   | WBC42/4536 BR or BL | D4   | WR3324   | D2   |
| VSB303518     | G5-6 | VTK33    | J5   | W3336               | D2   | WBC42/4542 BR or BL | D4   | WR3612   | D2   |
| VSB303518B    | G5-6 | VTK36B   | J5   | W3342               | D2   | WBC48/5130 BR or BL | D4   | WR3612B  | D2   |
| VSB3035B      | G5-6 | VTK39    | J5   | W3612               | D2   | WCC                 | D11  | WR3615   | D2   |
| VSB30B        | G5-6 | VWR1530  | G4   | W3612B              | D2   | WEP1524             | D9   | WR3615B  | D2   |
| VSB33         | G5-6 | <b>W</b> |      | W3615               | D2   | WEP1524-10          | D9   | WR3618   | D2   |
| VSB3318       | G5-6 | W1230    | D1   | W3615B              | D2   | WEP1524P            | D9   | WR3618B  | D2   |
| VSB3335       | G5-6 | W1236    | D1   | W3618               | D2   | WEP1524P-10         | D9   | WR3624   | D2   |
| VSB333518     | G5-6 | W1242    | D1   | W3618B              | D2   | WEP1530             | D9   | WR3624B  | D2   |
| VSB36         | G5-6 | W1518    | D1   | W3621               | D2   | WEP1530-10          | D9   | WR3912   | D2   |
| VSB36-2D      | G6   | W1530    | D1   | W3621B              | D2   | WEP1530P            | D9   | WR3915   | D2   |
| VSB3618       | G5-6 | W1536    | D1   | W3624               | D2   | WEP1530P-10         | D9   | WR3918   | D2   |
| VSB3618-2D    | G6   | W1542    | D1   | W3624B              | D2   | WEP1542             | D9   | WR3924   | D2   |
| VSB3618B      | G5-6 | W1818    | D1   | W3630               | D2   | WEP1542-10          | D9   | WSC      | D7   |
| VSB3618B-2D   | G6   | W1824    | D1   | W3630B              | D2   | WEP1542P            | D9   | WSM8     | K6   |
| VSB3635       | G5-6 | W1830    | D1   | W3636               | D2   | WEP1542P-10         | D9   | WSM8-10  | K6   |
| VSB3635-2D    | G6   | W1836    | D1   | W3636B              | D2   | WEP2424             | D9   | WSM8P    | K6   |
| VSB363518     | G5-6 | W1842    | D1   | W3642               | D2   | WEP2424-10          | D9   | WSM8P-10 | K6   |
| VSB363518-2D  | G6   | W2124    | D1   | W3642B              | D2   | WEP2424P            | D9   |          |      |
| VSB363518B    | G5-6 | W2130    | D1   | W3912               | D2   | WEP2424P-10         | D9   |          |      |
| VSB363518B-2D | G6   | W2136    | D1   | W3915               | D2   | WEP2430             | D9   |          |      |
| VSB3635B      | G5-6 | W2142    | D1   | W3918               | D2   | WEP2430-10          | D9   |          |      |
| VSB3635B-2D   | G6   | W2418    | D1   | W3924               | D2   | WEP2430P            | D9   |          |      |
| VSB36B        | G5-6 | W2421    | D1   | W3930               | D2   | WEP2430P-10         | D9   |          |      |
| VSB36B-2D     | G6   | W2424    | D1   | W3936               | D2   | WEP244              | D9   |          |      |
| VSB3935-2D    | G6   | W2430    | D1   | W3942               | D2   | WEP244-10           | D9   |          |      |
| VSB393518-2D  | G6   | W2430D   | D2   | W4224               | D2   | WEP2442P            | D9   |          |      |
| VSB42         | G5-6 | W2436    | D1   | W4230               | D2   | WEP2442P-10         | D9   |          |      |
| VSB42-2D      | G7   | W2436D   | D2   | W4236               | D2   | WEP30               | D9   |          |      |
| VSB4218       | G5-6 | W2442    | D1   | W4242               | D2   | WEP30-10            | D9   |          |      |
| VSB4218-2D    | G7   | W2442D   | D2   | W4530               | D2   | WEP30P              | D9   |          |      |
| VSB4235-2D    | G7   | W2730B   | D2   | W4830               | D2   | WEP30P-10           | D9   |          |      |
| VSB423518-2D  | G7   | W2736B   | D2   | W930                | D1   | WEP42               | D9   |          |      |
| VSB48-2D      | G7   | W2742B   | D2   | W936                | D1   | WEP42-10            | D9   |          |      |
| VSB4818-2D    | G7   | W3012    | D2   | W942                | D1   | WEP42P              | D9   |          |      |
| VSB4835-2D    | G7   | W3012B   | D2   | WA2430              | D5   | WEP42P-10           | D9   |          |      |
| VSB483518-2D  | G7   | W3015    | D2   | WA2436              | D5   | WF1-30              | D10  |          |      |
| VSB54-2D      | G7   | W3015B   | D2   | WA2442              | D5   | WF1-30-6            | D10  |          |      |
| VSB5418-2D    | G7   | W3018    | D2   | WA2730              | D5   | WF3-30              | D10  |          |      |
| VSB5435-2D    | G7   | W3018B   | D2   | WA2736              | D5   | WF3-30-6            | D10  |          |      |
| VSB543518-2D  | G7   | W3021    | D2   | WA2742              | D5   | WF3-42              | D10  |          |      |
| VSBT60-2D     | G7   | W3021B   | D2   | WBC24/2730 BR or BL | D4   | WF3-42-6            | D10  |          |      |
| VSBT60-3D     | G6   | W3024    | D2   | WBC24/2736 BR or BL | D4   | WF6-30              | D10  |          |      |
| VSBT6018-2D   | G7   | W3024B   | D2   | WBC24/2742 BR or BL | D4   | WF6-30-6            | D10  |          |      |
| VSBT6018-3D   | G6   | W3027    | D2   | WBC30/3330 BR or BL | D4   | WF6-42              | D10  |          |      |
| VSBT6035-2D   | G7   | W3027B   | D2   | WBC30/3336 BR or BL | D4   | WF6-42-6            | D10  |          |      |
| VSBT6035-4D   | G6   | W3030    | D2   | WBC30/3342 BR or BL | D4   | WFC3-30             | D10  |          |      |
| VSBT603518-2D | G7   | W3030B   | D2   | WBC33/3630 BR or BL | D4   | WL1530              | D6   |          |      |
| VSBT603518-4D | G6   | W3036    | D2   | WBC36/3930 BR or BL | D4   | WL3015              | D6   |          |      |
| VTK12         | J5   | W3036B   | D2   | WBC36/3936 BR or BL | D4   | WMC2742B            | D8   |          |      |
| VTK15         | J5   | W3042    | D2   | WBC36/3942 BR or BL | D4   | WMC3036B            | D8   |          |      |
| VTK18         | J5   | W3042B   | D2   | WBC39/4230 BR or BL | D4   | WMC3042B            | D8   |          |      |
| VTK21         | J5   | W3315    | D2   | WBC39/4236 BR or BL | D4   | WMS301812           | D8   |          |      |



MERILLAT CABINETRY

# MERILLAT BASICS™ COLLECTION

## 3-YEAR LIMITED WARRANTY

We know that you've put a great deal of time, thought and investment into the selection of your cabinetry, and we truly appreciate your decision to purchase Merillat® products.

In the unlikely event that you encounter a problem with your cabinetry, we are ready and eager to assist you, subject to the terms of this Limited Warranty.

---

This Limited Warranty is extended to the original Customer only for use of the product within the United States. This Limited Warranty is not transferable. No changes or modifications can be made to this Limited Warranty except by a company officer.

### STATEMENT OF LIMITED WARRANTY

We firmly stand behind the quality of our products, and warrant to you, our Customer, that **our cabinetry will be free from defects in material and workmanship under ordinary use for a period of 3 years from the date of purchase.**

### LIMITATIONS AND EXCLUSIONS

This Limited Warranty is limited to defects in material and workmanship and does not apply to:

- Damage caused by the improper installation of your cabinets.
- Damage, theft, or loss that occurs after we have properly delivered your cabinets to you, or your retailer, dealer, builder or contractor.
- Issues with other products used or installed in connection with your cabinets including, but not limited to, appliances, countertops, or plumbing fixtures (including the costs to remove and reinstall such other products).
- Damage caused by misuse, abuse, neglect, accident, alteration, improper or non-residential use, exposure to moisture or extreme temperatures, or other environmental factors in your home, including smoke damage, failure to maintain or acts of God.
- Naturally occurring wood characteristics such as, but are not limited to, variations in color or grain pattern, and knots. These characteristics will be prominent through stained finishes and may be visible through painted finishes.
- Natural joint movement and seam lines. Wood will expand and contract with changes in temperature and humidity. Wood components, such as doors and frames, will develop seam lines, which include small joint separations and hairline cracks in the finish in locations where wood is joined together. Painted finishes are particularly prone to seam lines.
- Changes in color and finish due to UV light, sunlight, smoke, household cleaners, and other environmental conditions and general aging. As cabinetry products age, the finish may mellow or discolor slightly.
- Variations from samples and displays. Wood varies significantly from piece to piece. Wood finishes change in sheen and color over time due to exposure to natural and artificial light and other environmental factors. Because of this, new and or replacement cabinets may not match showroom displays, color chip samples, photographs in catalogs or websites, or existing cabinetry in your home.
- Damage caused by ordinary wear and tear.

### WARRANTY PERFORMANCE

In the event of a defect in material or workmanship within the terms and conditions set forth herein, we will repair or replace the product, at our sole option, without charge. If the affected product is no longer available, Merillat reserves the right to: (i) replace the affected component with a new component of a similar style, or (ii) replace the affected component and any other component within the total product to achieve a uniform appearance with as similar and comparable product style and quality as possible to the original product.

We cannot guarantee that replacements will match the finish and appearance of the original product. Our warranty extends solely to the product. We are not responsible for the cost of: (i) removal of defective product, (ii) installation of repaired or replaced product, or (iii) removal or installation of appliances, plumbing, flooring, or other fixtures. Repaired or replaced product shall be warranted for a period equal to the remaining period of the original Limited Warranty on the product or for ninety days, whichever is longer.

### LIMITED WARRANTY DISCLAIMER

THIS LIMITED WARRANTY SETS OUT THE FULL EXTENT OF MERILLAT CABINETRY'S RESPONSIBILITIES, AND THE EXCLUSIVE REMEDY REGARDING THE PRODUCTS. ALL IMPLIED WARRANTIES, INCLUDING WITHOUT LIMITATION, IMPLIED WARRANTIES OF MERCHANTABILITY AND FITNESS FOR A PARTICULAR PURPOSE, ARE LIMITED TO THE DURATION OF THIS LIMITED WARRANTY. IN NO EVENT SHALL MERILLAT BE LIABLE FOR DAMAGES IN EXCESS OF THE PURCHASE PRICE OF THE PRODUCT OR FOR, WITHOUT LIMITATION, COMMERCIAL LOSS OF ANY SORT; LOSS OF USE, TIME, DATA, REPUTATION, OPPORTUNITY, GOODWILL, PROFITS OR SAVINGS; INCONVENIENCE; INCIDENTAL, SPECIAL, CONSEQUENTIAL OR PUNITIVE DAMAGES; OR DAMAGES ARISING FROM THE USE OR INABILITY TO USE THE PRODUCT. SOME STATES AND JURISDICTIONS DO NOT ALLOW LIMITATIONS ON HOW LONG AN IMPLIED WARRANTY LASTS, OR THE DISCLAIMER OR LIMITATION OF INCIDENTAL OR CONSEQUENTIAL DAMAGES, SO THE ABOVE LIMITATIONS AND DISCLAIMERS MAY NOT APPLY TO YOU. IF ANY PORTION OF THIS LIMITED WARRANTY IS HELD TO BE ILLEGAL OR UNENFORCEABLE, SUCH PARTIAL ILLEGALITY OR UNENFORCEABILITY SHALL NOT AFFECT THE ENFORCEABILITY OF THE REMAINDER OF THE LIMITED WARRANTY.

### CLAIMS

To initiate a claim, contact your retailer, dealer, builder or contractor.

If you cannot initiate your claim through your place of purchase or if you have difficulty obtaining assistance, you may submit a claim by filling in our online form: <https://www.merillat.com/customer-support/contact-us.html>

All claims must be submitted in writing and must specify all issues you have with your cabinets. Pictures are also very helpful to assist in processing your claim. Once Merillat has had an opportunity to review your claim, we will, at our sole discretion, either replace defective cabinets and accessories or repair any defects in the cabinets and accessories within a commercially reasonable period of time.

The Merillat Basics™ Collection is a product of Cabinetworks Group Michigan, LLC, located at 20000 Victor Pkwy, Livonia, MI 48152, (734) 205-4600.

This Limited Warranty is effective for products purchased on or after **June 13, 2022.**



MERILLAT CABINETS

[MERILLAT.COM](https://www.merillat.com)

Cover: McDurmon Full Overlay White Kitchen

Actual colors may vary slightly due to printing limitations. Material dimensions listed may vary slightly from actual product dimensions. Construction and assembly methods may vary from what is shown in samples and imagery, but do not affect performance standards of products.

© 2024 Cabinetworks Group Michigan, LLC. Printed in the USA. 05/24 MB-SPEC24